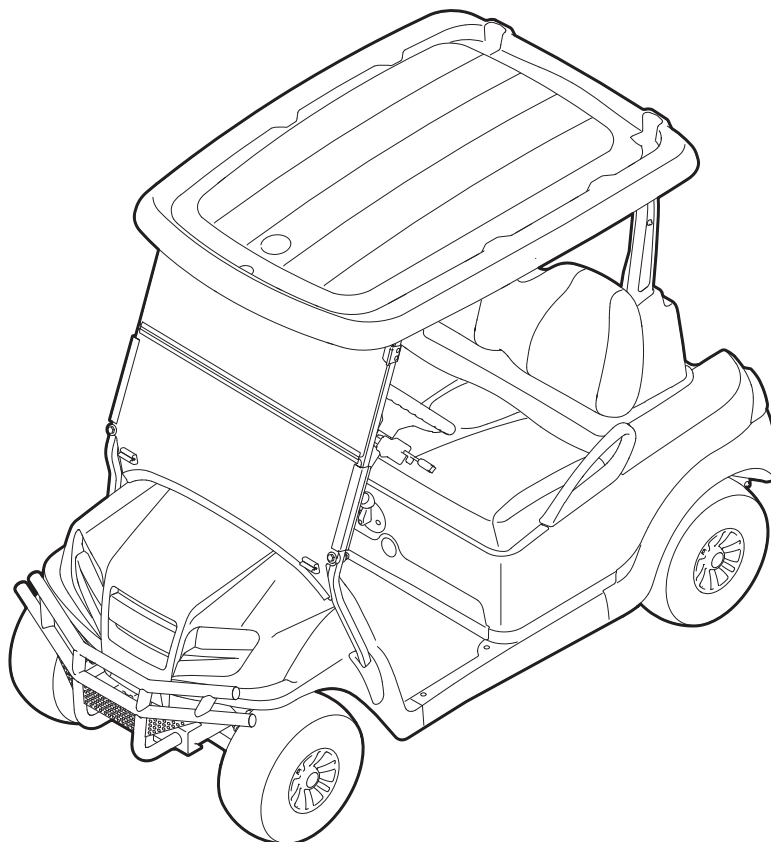




2020 Onward Illustrated Parts List



**Gasoline Vehicle with Kohler ECH440 Engine
Electric Vehicle with ERIC Charging System**

Manual Number 86753090025
Edition Code A

USING THE ILLUSTRATED PARTS LIST

⚠ WARNING

- **This manual is to be used only for identification and ordering of service parts. Be sure to read and use the maintenance and service manual before attempting any vehicle repairs.**

The manual is divided into sections. Note that there are two or three flags on the outside edge of each page. The first flag contains the section number of which that page is a part. The other flag (or flags) contains the letter E or G, signifying that the page pertains to electric or gasoline vehicles.

Use the Table of Contents to find the sections and pages that contain the parts and assemblies you seek. The Table of Contents lists section numbers, and under them, the individual page titles and numbers to be found in that section. The index can be used to find specific parts and assemblies. The index is divided into numerical and alphabetical listings with the page numbers in italic text.

There is a two-page spread for each individual page title in the Table of Contents. On the left-hand page is an illustration showing the parts in their relative positions; the parts are each tagged with an item number in a balloon. The right-hand page is the parts list page, and gives the page title at the top, then the item numbers (corresponding to the numbers on the illustration), part descriptions, and quantity of parts used. Some item numbers have more than one part number because several configurations of a component are represented together on one spread.

Note that a part description may be indented. This indentation corresponds to a parts assembly level indicated by the numbers 1, 2, 3, and 4 at the top left corner of the parts description area of the parts list page. A part that is indented to *level 2* is a component of the *level 1* part (assembly) that it is listed under. A *level 3* part is a component of the *level 2* part that it is listed under, and a *level 4* part is a component of the *level 3* part preceding it. In each case, the part quantity given for a level 2, 3, or 4 part is *the quantity used per next higher level assembly of which it is a component*. A part that is not indented is a *level 1* part. This means that the quantity given is the quantity used per the portion of the vehicle illustrated on that particular spread.



P. O. Box 204658
Augusta, Georgia 30917-4658 USA
Telephone 706-863-3000
Service Parts Fax 706-855-7413
www.clubcar.com

HOW TO ORDER PARTS

Replacement parts and accessories can be obtained from our network of authorized dealers and distributors. You can obtain the name and phone number of your closest authorized Club Car dealer or distributor by visiting our web site at www.clubcardealer.com, by calling our toll-free Service Parts and Technical Assistance hotline at (800) 872-2246 or (706) 863-3000, extension 3887, or by scanning this Quick Response (QR) code to be taken to the Club Car dealer locator. **Refer to Figure 1.** Download a QR code reader such as RedLaser or Barcode Scanner to your cell phone or tablet.



Figure 1 Dealer Locator QR Code

CUSTOMER SATISFACTION SURVEY

Let your voice be heard!

Please take time to participate in the Technical Publications satisfaction survey. Obtaining feedback from our customers is important to the department's continuous improvement process. The online survey takes less than five minutes and responses will help the department to examine current performance as well as identify areas for future improvement.

Our top priority is to provide timely, accurate, and user friendly manuals.

The online satisfaction survey can be found at: <http://bit.ly/1w9uFMh>



Figure 2 Survey QR Code

NOTE: *This illustrated parts list represents the most current information at the time of publication. Club Car, LLC is continually working to further improve its vehicles and other products. These improvements may affect the parts used to service the vehicle. Any modification and/or significant change in specifications will be forwarded to all Club Car and Carryall distributors/dealers and will, when applicable, appear in future editions of this illustrated parts list.*

Club Car, LLC reserves the right to change specifications and designs at any time without notice and without the obligation of making changes to units previously sold.

Copyright © 2019 Club Car, LLC
Club Car, Onward, and Surlyn
are registered trademarks of Club Car, LLC
This manual effective July 1, 2019.

2020 Onward Illustrated Parts List

CONTENTS

SECTION 1 – BODY AND TRIM

Frame	1-3
Brush Guards	1-5
Grill Inserts	1-7
Front Bumper	1-9
Front Fenders	1-11
Front Body	1-13
Dash	1-15
Floor Mat, Retainers, and Front Underbody	1-17
Kick Plate – Gasoline Vehicle	1-19
Kick Plate – Electric Vehicle	1-21
Seat Bottom with Hip Restraints	1-23
Seat Back, Backrest, and Structural Accessory Module (SAM)	1-25
Rear Body	1-27
Rear Valance	1-29
Rear Fenders	1-31
Receiver Hitch	1-33
Canopies	1-35
Canopy Struts	1-37
Four-Passenger Canopy with Rear Struts – Black	1-39
Four-Passenger Canopy with Rear Struts – White	1-41
Four-Passenger Canopy with Rear Struts – Beige	1-43
Front Strut Kit, Four-Passenger Canopy	1-45
Rear-Facing Seat Frame and Foot Deck – Consumer Car	1-47
Rear-Facing Seat	1-49
Hinged Windshield, Clear	1-51
Hinged Windshield, Tinted	1-53
Beverage Holder	1-55
Mirrors, Side	1-57
Golf Bag Holder	1-59
Overhead Storage	1-61
Mirror, 5-Panel	1-63

SECTION 2 – WHEELS AND TIRES

Tires – Onward	2-3
Wheels – Onward	2-5
Wheel and Tire Assemblies – Onward, Standard Height	2-7
Wheel and Tire Assemblies – Onward, Lifted	2-9

CONTENTS

SECTION 3 – DECALS

Decals – Electric and Gasoline Vehicles	3-3
Decals – Electric Vehicle Only	3-5
Decals – Gasoline Vehicle Only	3-7
Decals – 4-Passenger Vehicle Only	3-9
Decals – Badging	3-11

SECTION 4 – LIGHTS, CONTROLS AND INDICATORS

Headlights – Onward	4-3
Lighting System Components	4-5
Horn	4-7
Instrument Panel – Electric Vehicle with ERIC Charger	4-9
Battery Charge Indicator	4-11
Instrument Panel – ECH440 Gas Vehicle	4-13
Bluetooth Sound System	4-15
DC Converter – Electric Vehicle	4-17
Voltage Limiter – Gasoline Vehicle	4-19
Taillights	4-21

SECTION 5 – BRAKES AND PEDAL GROUP ASSEMBLIES

Rear Brakes, Self-Adjusting	5-3
Rear Brakes, Self-Adjusting – Gasoline Vehicles	5-5
Brake Cables and Equalizer Bracket	5-7
Brake Cables and Equalizer Bracket – Lifted Vehicle	5-9
Pedal Group with Sensor – Gasoline Vehicle	5-11
Pedal Group w/o Sensor, Gasoline Vehicle	5-13
Pedal Group w/o MCOR – Electric Vehicle	5-15
Pedal Group with MCOR – Electric Vehicle	5-17

SECTION 6 – STEERING, FRONT AND REAR SUSPENSION – STANDARD HEIGHT

Steering Wheel, Comfort Grip with Clip	6-3
Steering Wheel, Comfort Grip with Logo	6-5
Steering Column	6-7
Steering Gear Assembly	6-9
Front Suspension, Upper	6-11
Front Suspension, Lower	6-13
Rear Suspension, Gasoline Vehicle	6-15
Rear Suspension, Electric Vehicle	6-17

CONTENTS

Rear Suspension, Gasoline 4-Passenger – Consumer	6-19
Rear Suspension, Four Passenger Electric, Optional Two or Four Passenger HD	6-21
Panhard Rod	6-23

SECTION 7 – STEERING, FRONT AND REAR SUSPENSION – LIFTED

Steering Wheel, Comfort Grip with Clip	7-3
Steering Wheel, Comfort Grip with Logo	7-5
Steering Column	7-7
Steering Gear Assembly	7-9
Front Suspension, Lifted	7-11
Rear Suspension, Lifted	7-13
Panhard Rod	7-15

SECTION 8 – ELECTRICAL SYSTEM – ECH440

Accelerator Pedal Assembly w/Sensor – EFI	8-3
Wiring Harnesses and Fuses	8-5
Starter/Generator, Key and Pedal Start – EFI	8-7
Starter/Generator Mounting – ECH440	8-9
Battery, Solenoid, Voltage Regulator, Relay – EFI	8-11
Maintenance/Operate Switch	8-13
USB Port Kit for Gas Vehicles	8-15
Forward/Reverse Shifter Switches – EFI	8-17

SECTION 9 – ENGINE (KOHLER ECH440)

Tune-Up Parts	9-3
Engine and Engine Mounting	9-5
Engine Pan and Snubber Mounting	9-7
Snubber Housing and Ground Wire	9-9
Blower Housing and Heat Shield – ECH440	9-11
Ignition Components and Flywheel – ECH440	9-13
Cylinder Head and Valve – ECH440	9-15
Crankcase and Piston – ECH440	9-17
Oil Sensor and Lubrication – ECH440	9-19
Crankshaft – ECH440	9-21

SECTION 10 – FUEL SYSTEM – EFI

Fuel Tanks	10-3
Fuel Pump and Fuel Filter Kits	10-5

CONTENTS

Carbon Canister – EFI	10-7
Throttle Body and Mounting	10-9
Governor Bracket and Cover – EFI	10-11
Governor and Accelerator Cables – EFI	10-13
Air Intake Elbow – EFI	10-15
Air Filter System and Intake Hose – EFI	10-17

SECTION 11 – EXHAUST SYSTEMS – ECH440

Exhaust Systems	11-3
-----------------------	------

SECTION 12 – DRIVE BELT AND CLUTCHES – EFI GASOLINE VEHICLES

Drive Belts – EFI	12-3
Drive Clutch – Key-Start Vehicles	12-5
Drive Clutch – Pedal-Start Vehicles	12-7
Driven Clutch – Key Start and Pedal Start	12-9

SECTION 13 – TRANSAXLE, FUJI ED65

Forward/Reverse Shifter Assembly – EFI	13-3
Shifter Cable	13-5
Shift Lever and Bracket – Pedal-Start Engines	13-7
Governor Arm and Brackets	13-9
Transaxle (ED65), Open – Page 1 of 3	13-11
Transaxle (ED65), Limited Slip and Open – Page 2 of 3	13-13
Transaxle (ED65), Open – Page 3 of 3	13-15
Hub, Rear	13-17
Differential Guard, ED65 – Gasoline Vehicle	13-19

SECTION 14 – ELECTRICAL SYSTEM – EXCEL WITH HIGH FREQUENCY CHARGERS

Motor Controller Output Regulator (MCOR)	14-3
Wiring and Fuses – Lifted and Non-Lifted	14-5
Forward/Reverse Switch and Tow/Run Switch	14-7
Batteries and Battery Bucket, PD+ 8-Volt, Non-Lifted	14-9
Batteries and Battery Bucket, PD+ 8-Volt – Lifted	14-11
Single Point Watering System, 8V	14-13
Hand Pump and Deionizer (Battery-Powered Quality Light)	14-15
Controller, Solenoid and Wiring	14-17
Controller, Solenoid and Wiring – Lifted	14-19
USB Port Kit for Electric Vehicles	14-21

CONTENTS

SECTION 15 – ELECTRIC MOTOR

Motor (Model EJ8-4001A) – Electric Vehicle	15-3
--	------

SECTION 16 – TRANSAXLE – ELECTRIC VEHICLES

Transaxle – Electric Vehicles	16-3
Differential Guard – Electric Vehicles	16-5

SECTION 17 – BATTERY CHARGERS – HIGH-FREQUENCY

JCI Battery Charger, High-Frequency – U.S./Canada	17-3
Battery Charger, High-Freq., 2.74 m DC Cord – Global	17-5
Battery Charger, High-Freq., 3.66 m DC Cord – Global	17-7
Battery Charger, High-Freq., 6.1 m DC Cord – Global	17-9
Cords – Battery Charger, High-Frequency	17-11
Battery Charger, High-Frequency – Onboard	17-13

SECTION 18 – MAINTENANCE AND SERVICE TOOLS

Maintenance and Service Tools	18-3
Maintenance and Service Tools, Continued	18-5
Maintenance and Service Tools, Continued	18-7

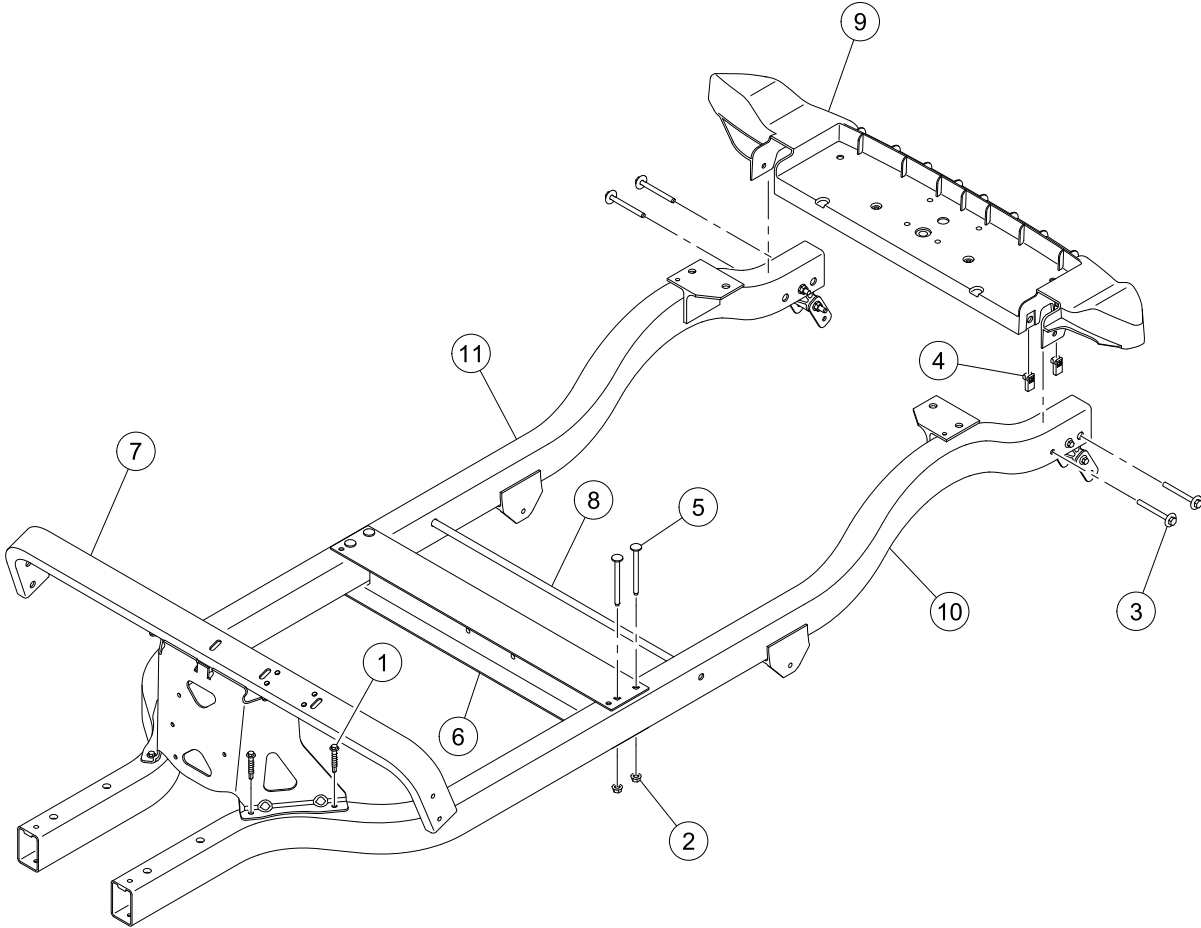
SECTION i – INDEX

BODY AND TRIM

1

G

E



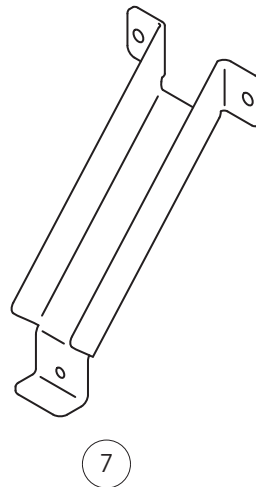
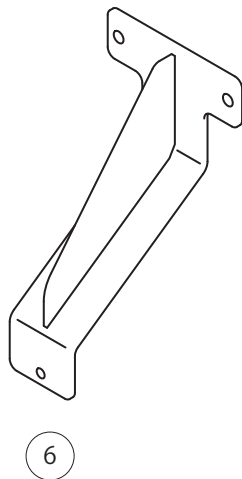
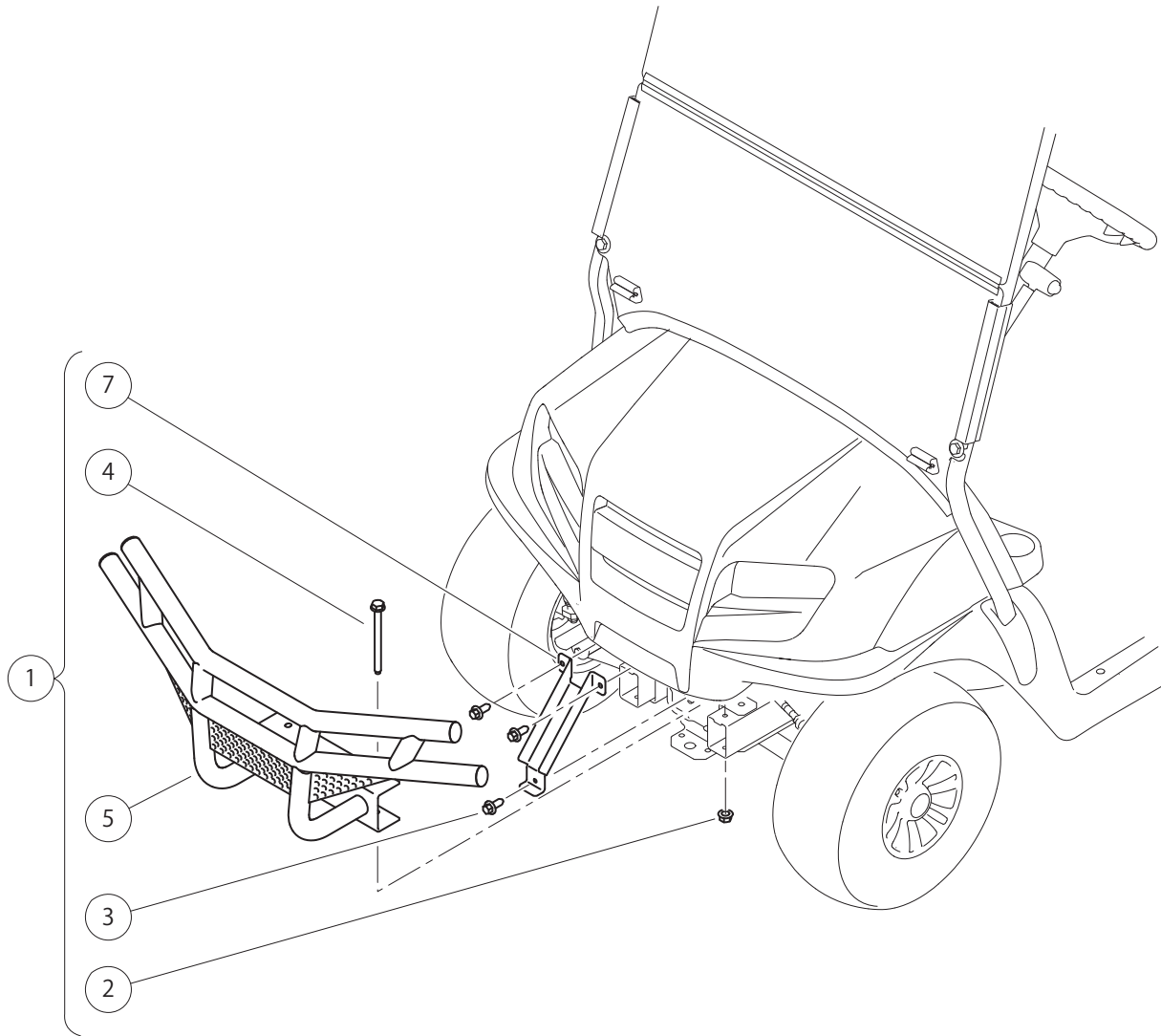
G-010099-000004

FRAME

ITEM	PART NO.	DESCRIPTION	QTY
		1 2 3 4	
1	102292101	Screw-5/16 X 1.5 Tek	4
2	102298401	Nut,m8,all Metal Lock	4
3	102298580	M8-1.25 X 80 Sems	4
4	102298601	J-clip - M8 X 1.25	4
5	102298995	Bolt, Wafer Head, M8-1.25x95	4
6	102505401	Xmbr-middle	1
7	102505701	Assembly, Dash Support	1
8	103638901	Rod, .5 Od X 26.26	1
9	103926603	Rear Cross Member, Csmr, Sp	1
10	103990503	Weldment, Frame, Csmr, Driver-side	1
11	103990601	Weldment, Frame, Passenger-side	1
		Note: Item 8 applies to electric vehicles only.	

1
G
E

1
G
E



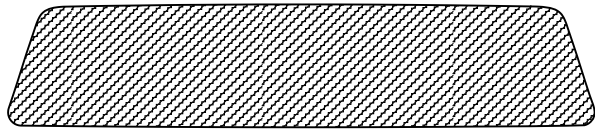
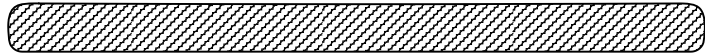
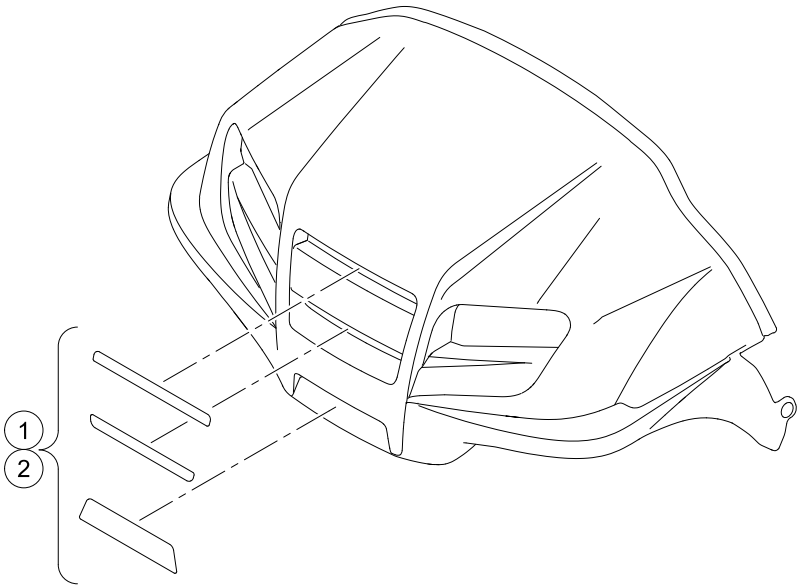
001297-002

BRUSH GUARDS

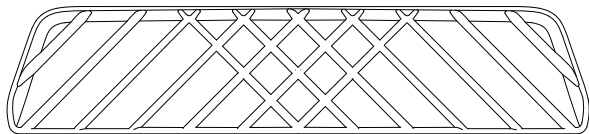
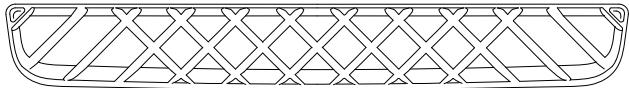
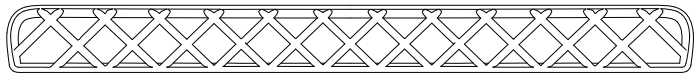
ITEM	PART NO.	DESCRIPTION	QTY
		1 2 3 4	
1	47577561001	Kit, Brush Guard, Non-Lifted (includes items 2 through 7)	1
2	102298401	Nut, M8, All Metal Lock	2
3	102298720	Screw, M8-1.25x20, Taptite	3
4	102534201	Bolt - Fl Hd, M8 X 95	2
5	47578016001	Asm, Brush Guard Res	1
6	47578438001	Bracket, Cowl/bumper, Brushgrd	1
7	47636151001	Bracket, Cowl/bumper, Brushgrd	1
8	47577561002	Kit, Brush Guard, Lifted (includes items 9 through 11)	1
9	102298401	Nut, M8, All Metal Lock	2
10	102534201	Bolt - Fl Hd, M8 X 95	2
11	47578016001	Asm, Brush Guard Res	1
		Note: Item 7 is the field replacement for item 6. Items 8 through 11 are not illustrated.	

1
G
E

1
G
E



1



2

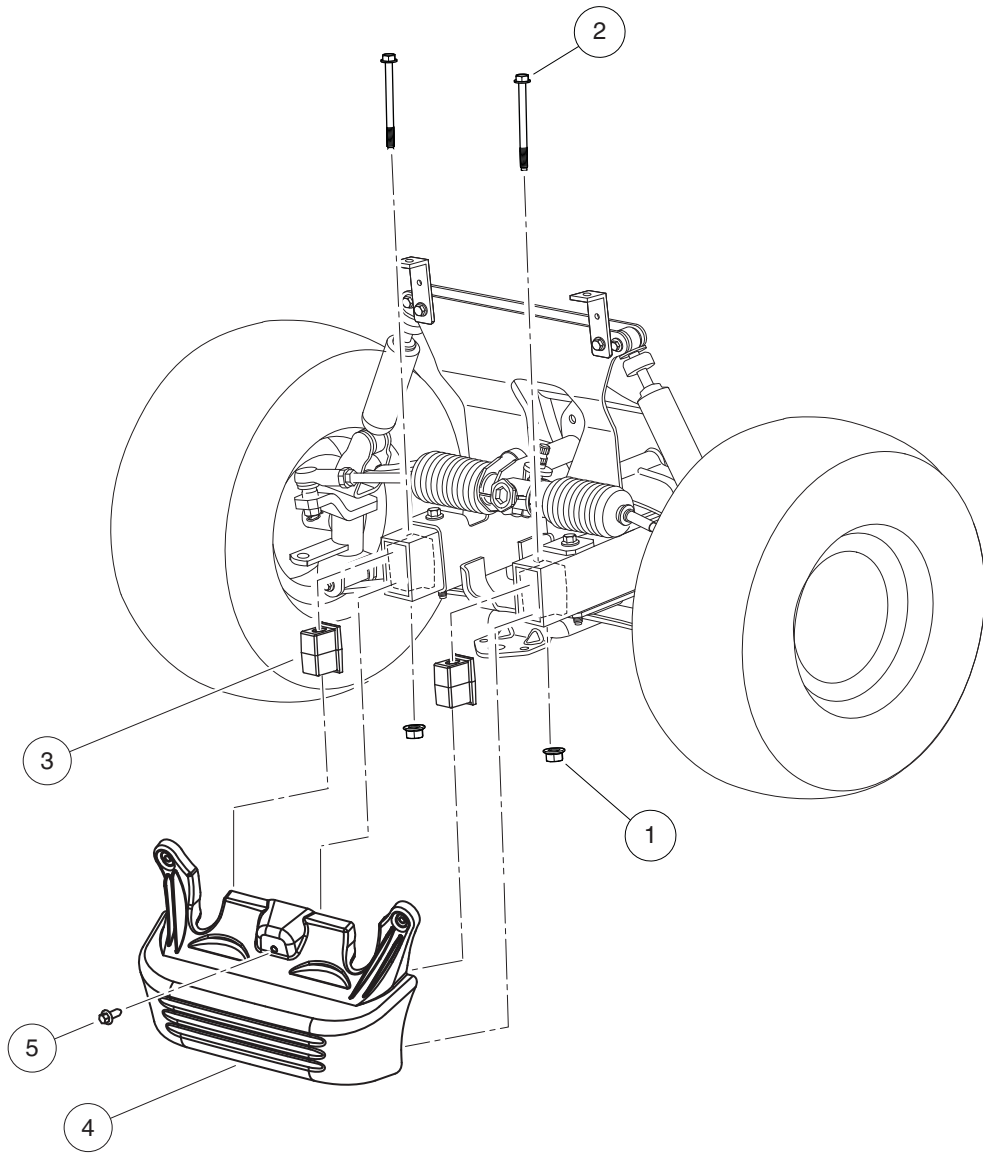
G-160299-000008

GRILL INSERTS

ITEM	PART NO.	DESCRIPTION	QTY
1	47649254001	1 2 3 4 Kit, Grill Insert	1
2	47659500001	Kit, Grill Insert	1

1
G
E

1
G
E



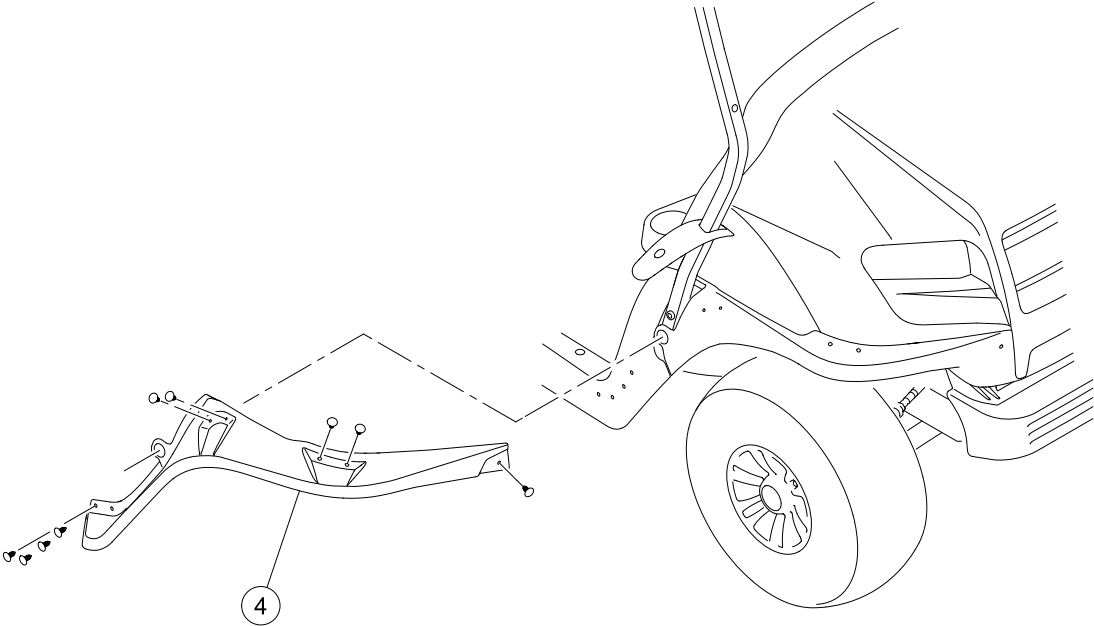
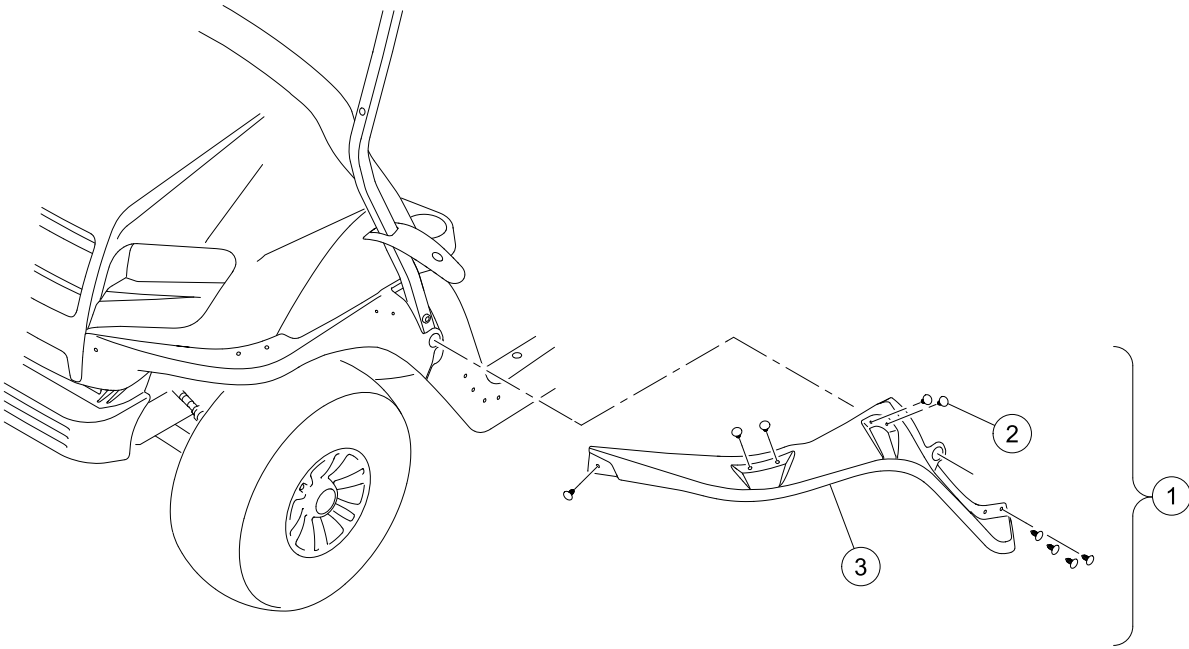
001299-001

FRONT BUMPER

ITEM	PART NO.	DESCRIPTION	QTY
		1 2 3 4	
1	102298401	Nut,m8,all Metal Lock	2
2	102534201	Bolt - Fl Hd, M8 X 95	2
3	103325001	Plug, Shock, Bumper	2
4	103923601	Bumper, Prec Fleet, W/light	1
5	47579669001	Screw, 3/8 Hex & Hex Washer Hd	1

1
G
E

1
G
E



G-140699-000006

FRONT FENDERS

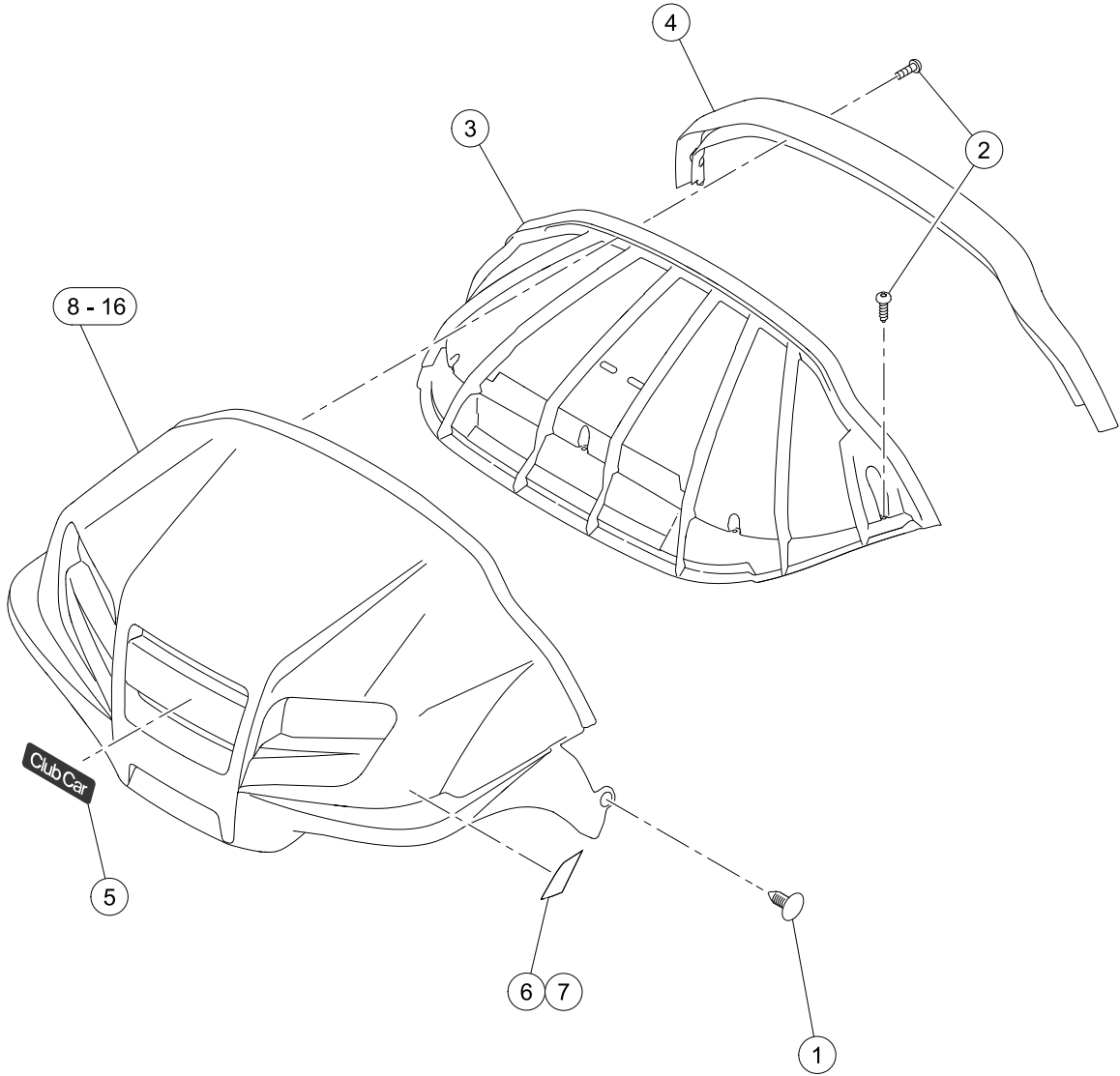
ITEM	PART NO.	DESCRIPTION	QTY
		1 2 3 4	
1	47632116001	Kit, Fenders, Front (includes items 2 through 4)	1
2	1010434	Barrel - Plastic	18
3	47628936001	Fender, Front, LH	1
4	47628936002	Fender, Front, RH	1

1

G

E

1
G
E



G-140299-000001

FRONT BODY

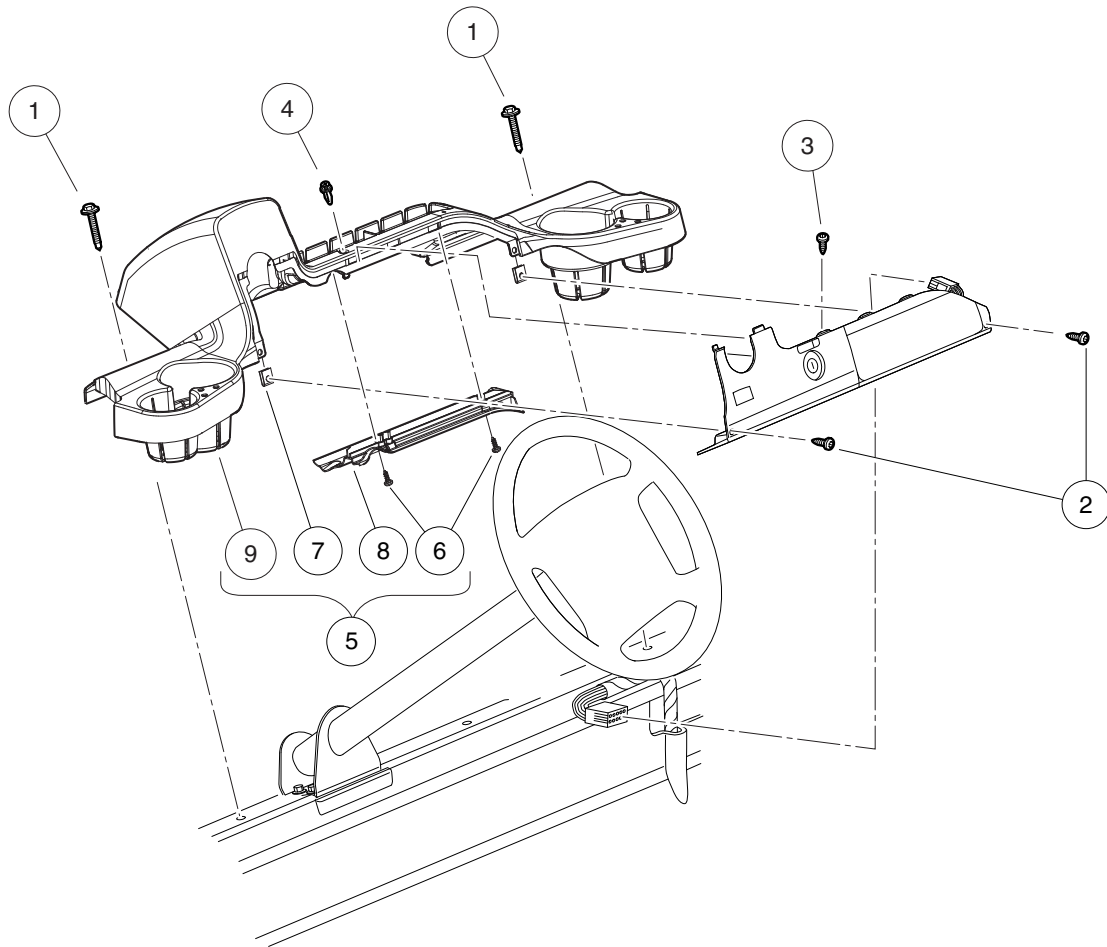
ITEM	PART NO.	DESCRIPTION	QTY
		1 2 3 4	
1	1010434	Barrel - Plastic	4
2	102296020	Screw, Torx Pan Hd Pt, M6 X 20	9
3	102501501	Brow	1
4	102502501	Brow Cap	1
5	102883602	Decal, Nameplate, Csmr	1
6	47583296001	Reflector, Front, Csmr, Driver-side	1
7	47583296002	Reflector, Front, Csmr, Passenger-side	1
8	47627633002	Panel Frt, Met Prl Blue	1
9	47627633003	Panel Frt, Met Green	1
10	47627633004	Panel Frt, Met Black	1
11	47627633005	Panel Frt, Met Platinum	1
12	47627633006	Panel Frt, Cdy Apple Red	1
13	47627633009	Panel Frt, Met Syn Green	1
14	47627633053	Panel Frt, Flt White, Sp	1
15	47627633058	Panel Frt, Met Beige, Sp	1
16	47627633099	Panel Frt, No Paint	1
		<p>Note: For current or additional color options, contact your local Club Car dealer or distributor.</p>	

1

G

E

1
G
E



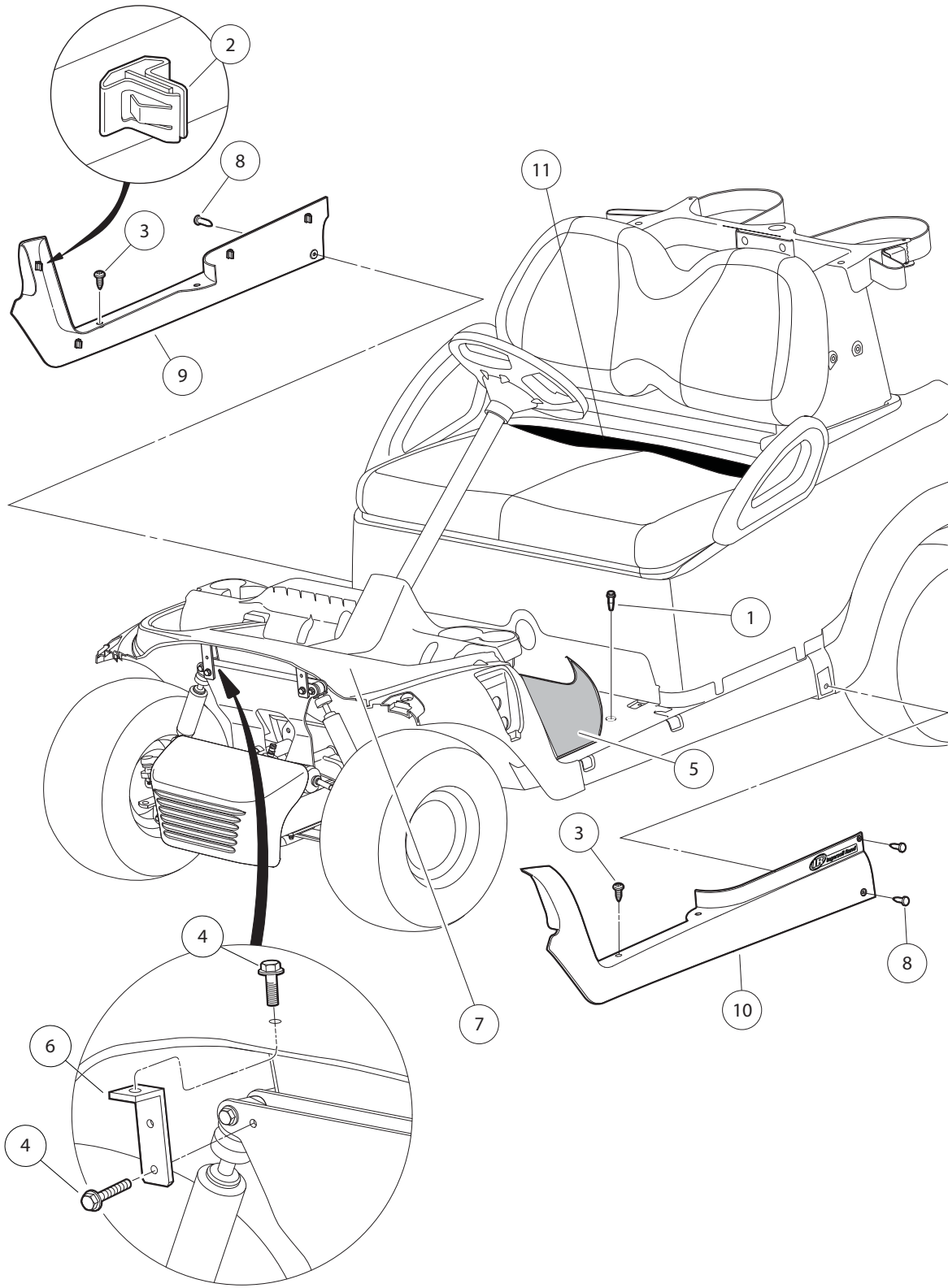
000438-003

DASH

ITEM	PART NO.	DESCRIPTION	QTY
		1 2 3 4	
1	102292356	Screw-1/4-20x56 Hwh Self Drill	2
2	102296819	Screw-M6 x 19	2
3	102557201	Screw, #6-20 Type Abx1.00 Pan	1
4	102915601	Plastic Rivet - Tuflock	1
5	103402701	Dash Assembly	1
<p>Note: Item 6 through 9 are details of item 5 and are not illustrated</p>			

1
G
E

1
G
E



000497-009

FLOOR MAT, RETAINERS, AND FRONT UNDERBODY

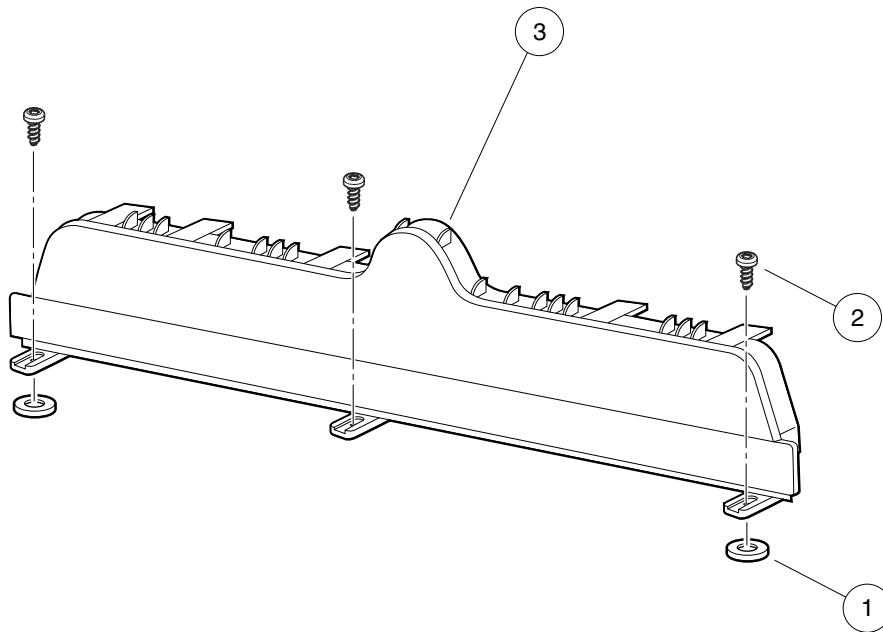
ITEM	PART NO.	DESCRIPTION	QTY
		1 2 3 4	
1	102292356	Screw-1/4-20x56 Hwh Self Drill	3
2	102292701	Clip-body-trim	8
3	102298020	Screw, K80x20, Torx Pn Hd Pt	4
4	102298720	Screw, M8-1.25x20, Taptite	4
5	102504802	Floormat	1
6	102521901	Bracket-clamshell	2
7	103635201	Underbody, Front, One Piece	1
8	105291501	Rivet, Plastic Tuflok, 8mm	4
9	105314001	Floormat Retainer, Passenger-side, Black	1
10	105314101	Floormat Retainer, Driver-side, Black	1
11	47652014001	Insulation, Rear Underbody	1
		<p>Note: The front underbody is a special order item available upon request. It will require some trimming for use on the Onward vehicle.</p>	

1
G
E

1

G

E



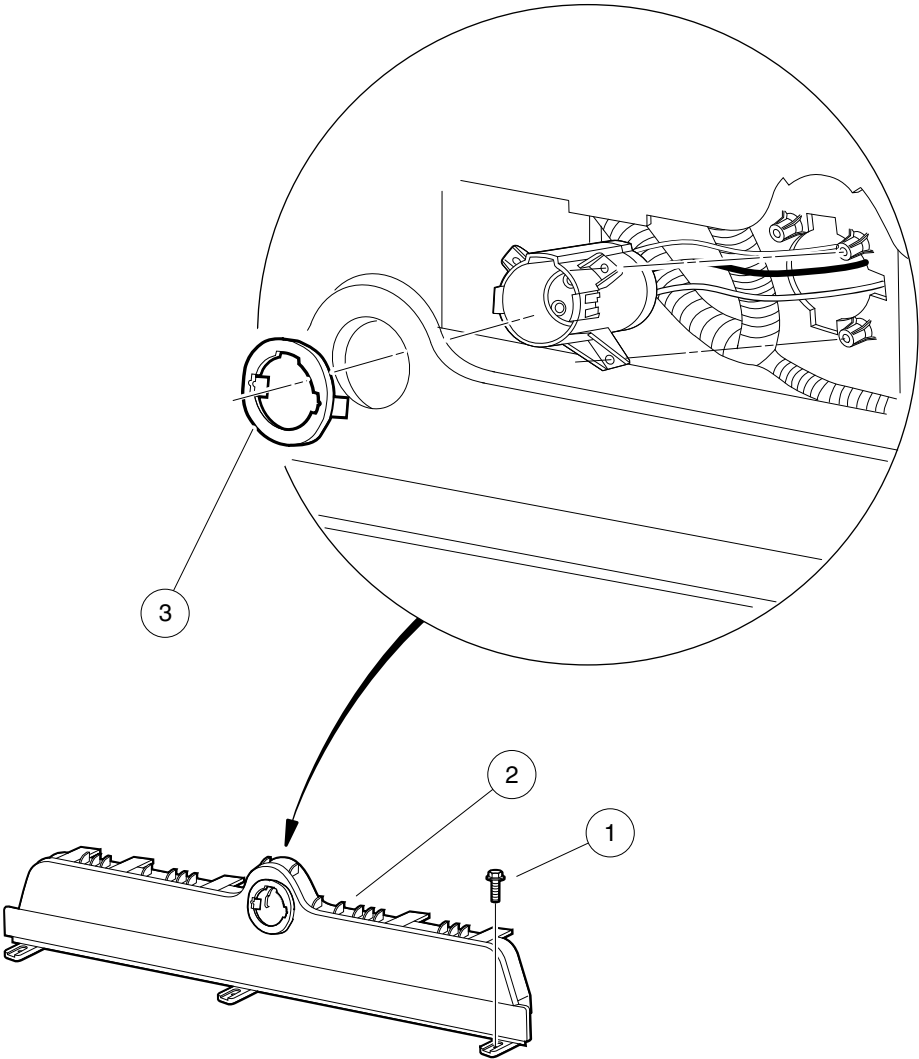
001059-001

KICK PLATE – GASOLINE VEHICLE

ITEM	PART NO.	DESCRIPTION	QTY
		1 2 3 4	
1	1012571	Washer, 5/16 Extra Thick Flat	2
2	102298020	Screw, K80x20, Torx Pn Hd Pt	3
3	105005402	Plate, Kick, Black	1



1
G
E



000500-003

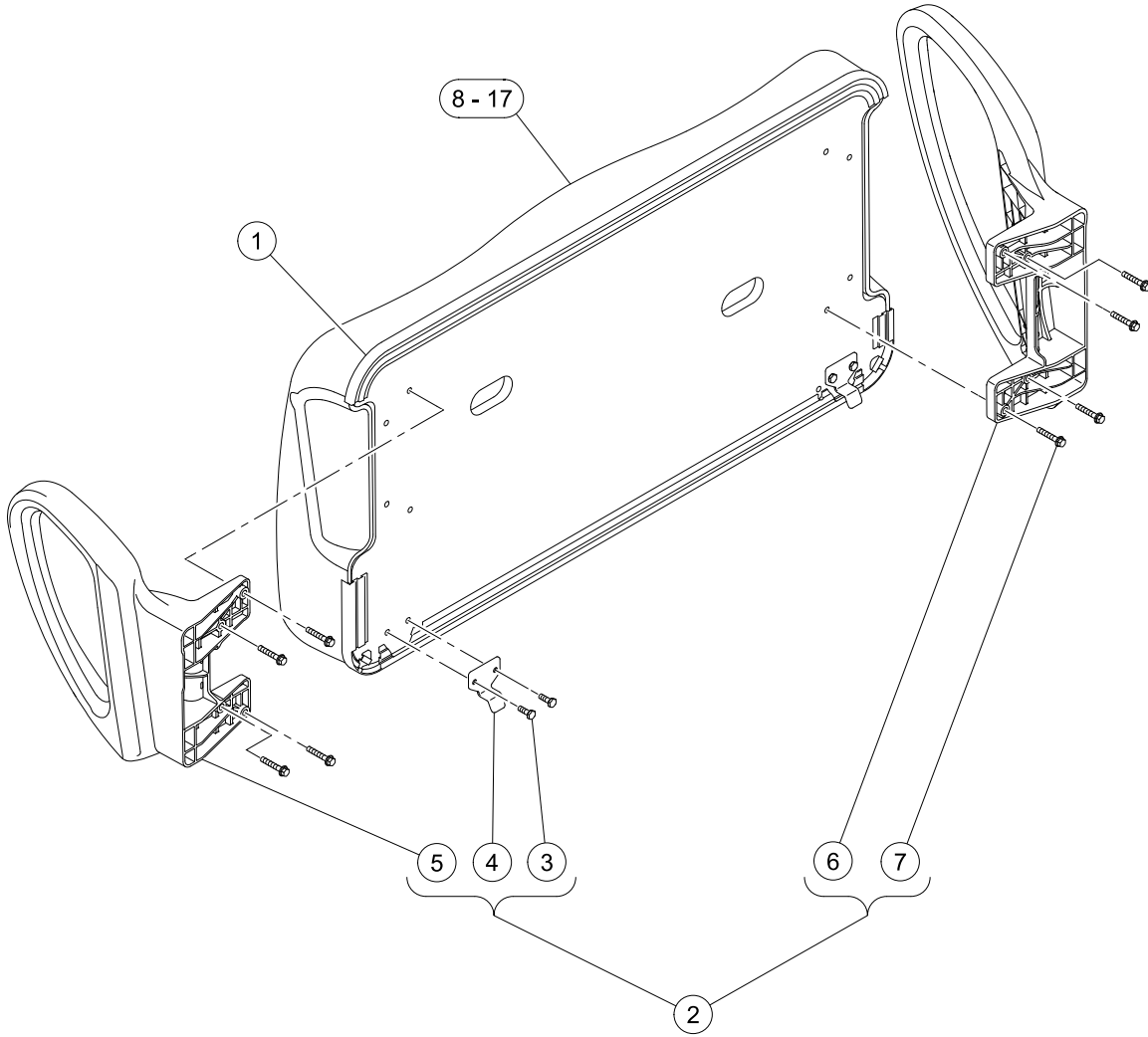
KICK PLATE – ELECTRIC VEHICLE

ITEM	PART NO.	DESCRIPTION	QTY
		1 2 3 4	
1	102298030	Screw, K80x30, Torx Pn Hd Pt	3
2	102508202	Plate - Electric Kick Blk	1
3	102516901	Socket Trim	1

1

G

E



G-140699-000007

SEAT BOTTOM WITH HIP RESTRAINTS

ITEM	PART NO.	DESCRIPTION	QTY
		1 2 3 4	
1	101998501	Gasket, Seat	1
2	103833901	Kit, Seat Bottom (includes items 3 through 7)	1
3	101954301	Screw, 1/4-20 X 0.75 Hex-Head Cap	4
4	103832901	Hinge, Seat Bottom	2
5	103833601	Hip Restraint, Drv	1
6	103833701	Hip Restraint, Pas	1
7	103833801	1/4-20 X 1.5 Hex Flg Patch	8
8	104023421	Seat Bottom Asm, Beige, Service Replacement	1
9	104023422	Seat Bottom Asm, White, Service Replacement	1
10	104023425	Seat Bottom Asm, Black, Service Replacement	1
11	105223321	Seat Bottom Asm, Premium, Light Beige, Service Replacement	1
12	105223322	Seat Bottom Asm, Premium, Camello, Service Replacement	1
13	105223323	Seat Bottom Asm, Premium, Off-White, Service Replacement	1
14	105223325	Seat Bottom Asm, Premium, Camello/Off-White, Service Replacement	1
15	105223327	Seat Bottom Asm, Premium, Black, Service Replacement	1
16	105223328	Seat Bottom Asm, Premium, Black/Gray, Service Replacement	1
17	105223329	Seat Bottom Asm, Premium, Gray, Service Replacement	1
		<p>Note: Item 1 is supplied with all seat bottom assemblies and can be procured individually. For current or additional color options, contact your local Club Car dealer or distributor.</p>	

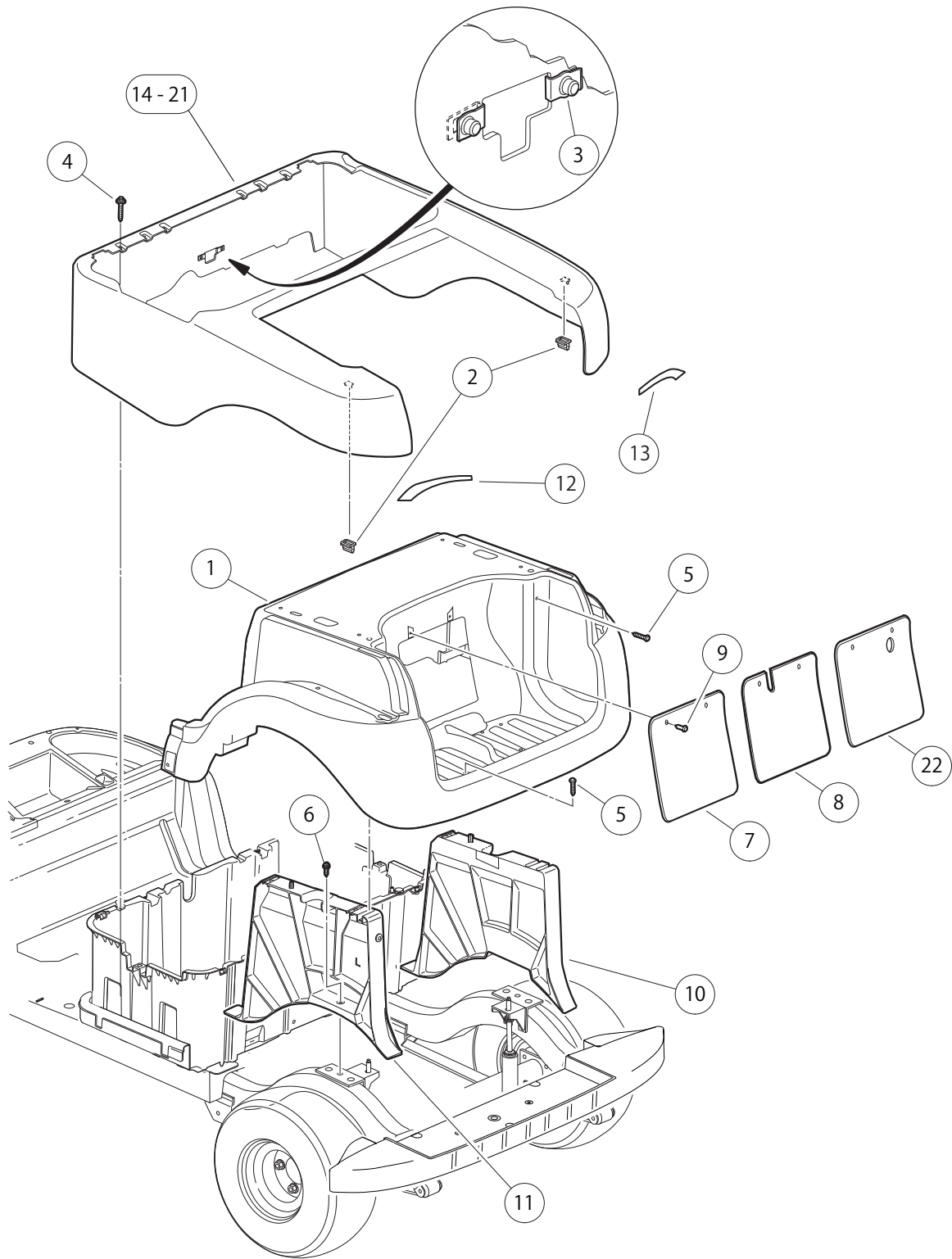
1
G
E

SEAT BACK, BACKREST, AND STRUCTURAL ACCESSORY MODULE (SAM)

ITEM	PART NO.	DESCRIPTION	QTY
		1 2 3 4	
1	102296530	Screw - M6 X 1.0 X 30 Sems	2
2	102298240	Bolt, Flange Head, M8-1.25 X 40	6
3	103853121	Asm, Seat Back, Beige, Service Replacement	1
4	103853122	Asm, Seat Back, White, Service Replacement	1
5	103853125	Asm, Seat Back, Black, Service Replacement	1
6	103952901	Kit, S.A.M. Assembly (includes items 7 through 10)	1
7	102297230	Screw, M6, Torx, Interlock Thread	4
8	103929301	Support- Canopy, Drv	1
9	103929302	Support- Canopy, Pass	1
10	N/A	Asm, S.A.M. (includes items 11 through 19)	1
11	102297230	Screw, M6, Torx, Interlock Thread	3
12	102504001	Asm, Bag Hoop (includes items 13 through 16)	1
13	1010434	Barrel - Plastic	2
14	102504201	Hoop-bag	1
15	102504301	Strap, Bag	1
16	102517001	Buckle-bag Strap	2
17	N/A	Structural Accessory Module (S.A.M.)	1
18	103327601	Screw, 5/16, Torx, Bosscrew	2
19	103699401	Panel, S.A.M., Prec	1
20	103978801	Barrel-push 6mm	4
21	105223421	Asm, Seat Back, Premium, Lt. Beige, Service Replacement	1
22	105223422	Asm, Seat Back, Premium, Camello, Service Replacement	1
23	105223423	Asm, Seat Back, Premium, Off-White, Service Replacement	1
24	105223425	Asm, Seat Back, Premium, Camello/Off-White, Service Replacement	1
25	105223427	Asm, Seat Back, Premium, Black, Service Replacement	1
26	105223428	Asm, Seat Back, Premium, Black/Gray, Service Replacement	1
27	105223429	Sp,asm,prem Seat Back,gray	1
		 Note: Screws (item 7) not shown. These are four new screws to replace those used to attach accessory mounting brackets to SAM (item 17). For current or additional color options, contact your local Club Car dealer or distributor.	

1
G
E

1
G
E



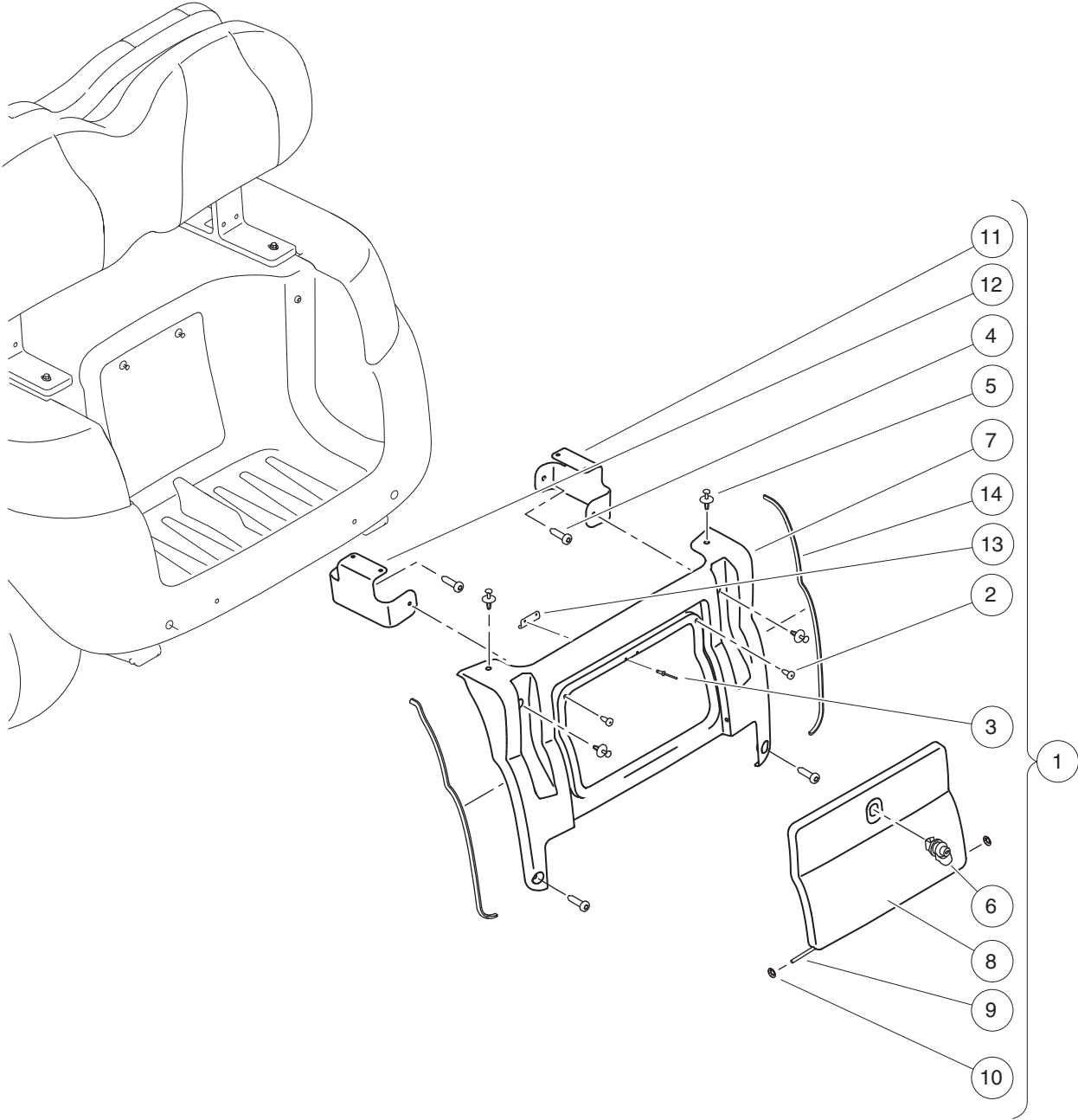
000436-022

REAR BODY

ITEM	PART NO.	DESCRIPTION	QTY
		1 2 3 4	
1	102279105	Underbody-rear, Blk, Csmr	1
2	102292701	Clip-body-trim	2
3	102296601	U-Nut, M6-1.0, Prevailing Torque	2
4	102297230	Screw, M6, Torx, Interlock Thread	4
5	102298030	Screw, K80x30, Torx Pn Hd Pt	4
6	102298716	M8-1.25x16 Taptite	2
7	102501402	Panel, Access, Black	1
8	102501403	Panel, Access, Black, with Punched Hole	1
9	102967901	Rivet, Removable, Tuflok 1/4"	2
10	103812901	Asm, Rear Underbody Support, Passenger-side	1
11	103813001	Asm, Rear Underbody Support, Driver-side	1
12	47583297001	Reflector, Rear, Csmr, Driver-side	1
13	47583297002	Reflector, Rear, Csmr, Passenger-side	1
14	47589919302	Pnl, Bty, Rr, Mt Platinum, Sp	1
15	47589919303	Pnl, Bty, Rr, Mt Cndy Apl, Sp	1
16	47589919304	Pnl, Bty, Rr, Mt Green, Sp	1
17	47589919306	Pnl, Bty, Rr, Mt Black, Sp	1
18	47589919308	Pnl, Bty, Rr, Mt Prl Blue, Sp	1
19	47589919310	Pnl, Bty, Rr, Mt Syn Grn, Sp	1
20	47589919311	Pnl, Bty, Rr, Mt Beige, Sp	1
21	47589919312	Pnl, Bty, Rr, Flt White, Sp	1
22	SVP915201	Panel-access-lite Hole Cut Out	1
<p>Note: For current or additional color options, contact your local Club Car dealer or distributor.</p>			

1
G
E

1
G
E



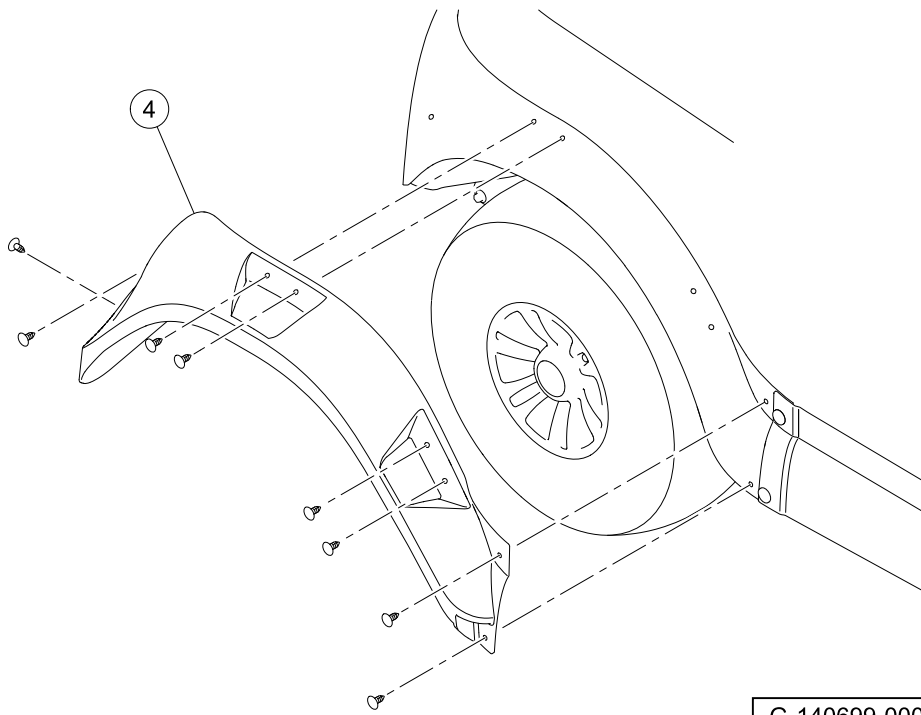
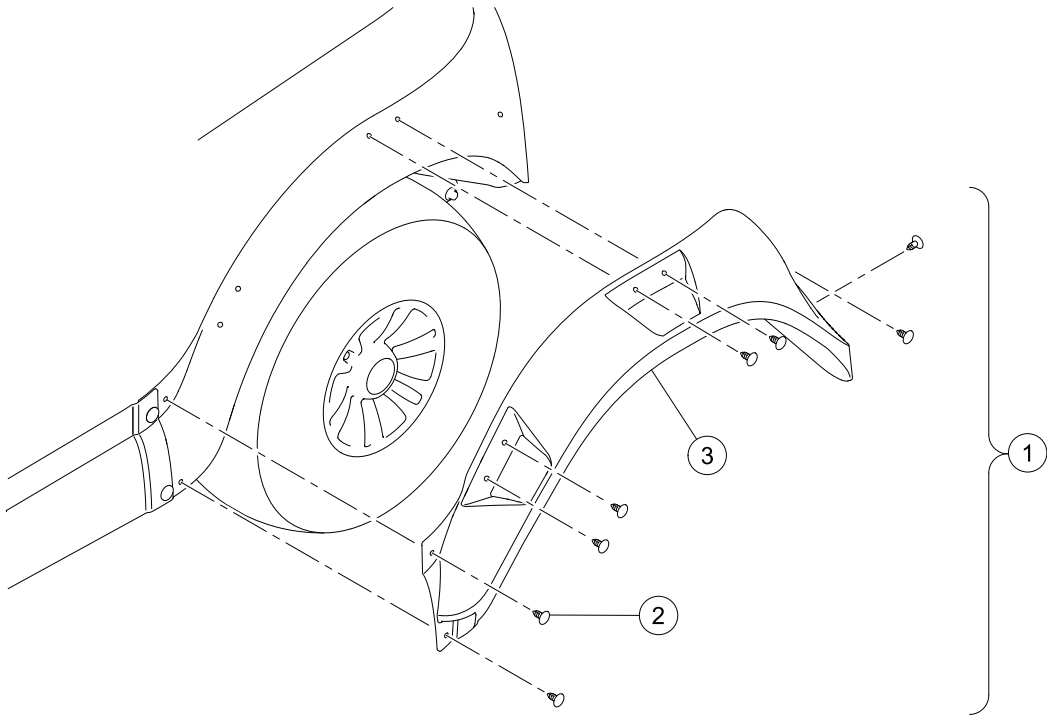
001327-001

REAR VALANCE

ITEM	PART NO.	DESCRIPTION	QTY
		1 2 3 4	
1	47579068001	Kit, Rear Valance (includes items 2 through 14)	1
2	1010436	Bumper, Rubber	2
3	1015727	Rivet, 1/8	2
4	102298030	Screw, K80x30, Torx Pn Hd Pt	2
5	102967901	Rivet, Removable, Tuflok 1/4"	4
6	103182702	Latch, Push Close W/ Key	1
7	47579059001	Body, Rear Valance	1
8	47579060001	Door, Rear Valance	1
9	47579061001	Hinge Rod, Rear Valance	1
10	47579062001	Push Nut, Smooth Shaft, 1/4	2
11	N/A	Bracket, Rear Valance, Driver-Side	1
12	N/A	Bracket, Rear Valance, Passenger-Side	1
13	47579065001	Keeper, Latch, Rear Valance	1
14	47579066001	Edge Trim, Rear Valance	2

1
G
E

1
G
E



G-140699-000005

REAR FENDERS

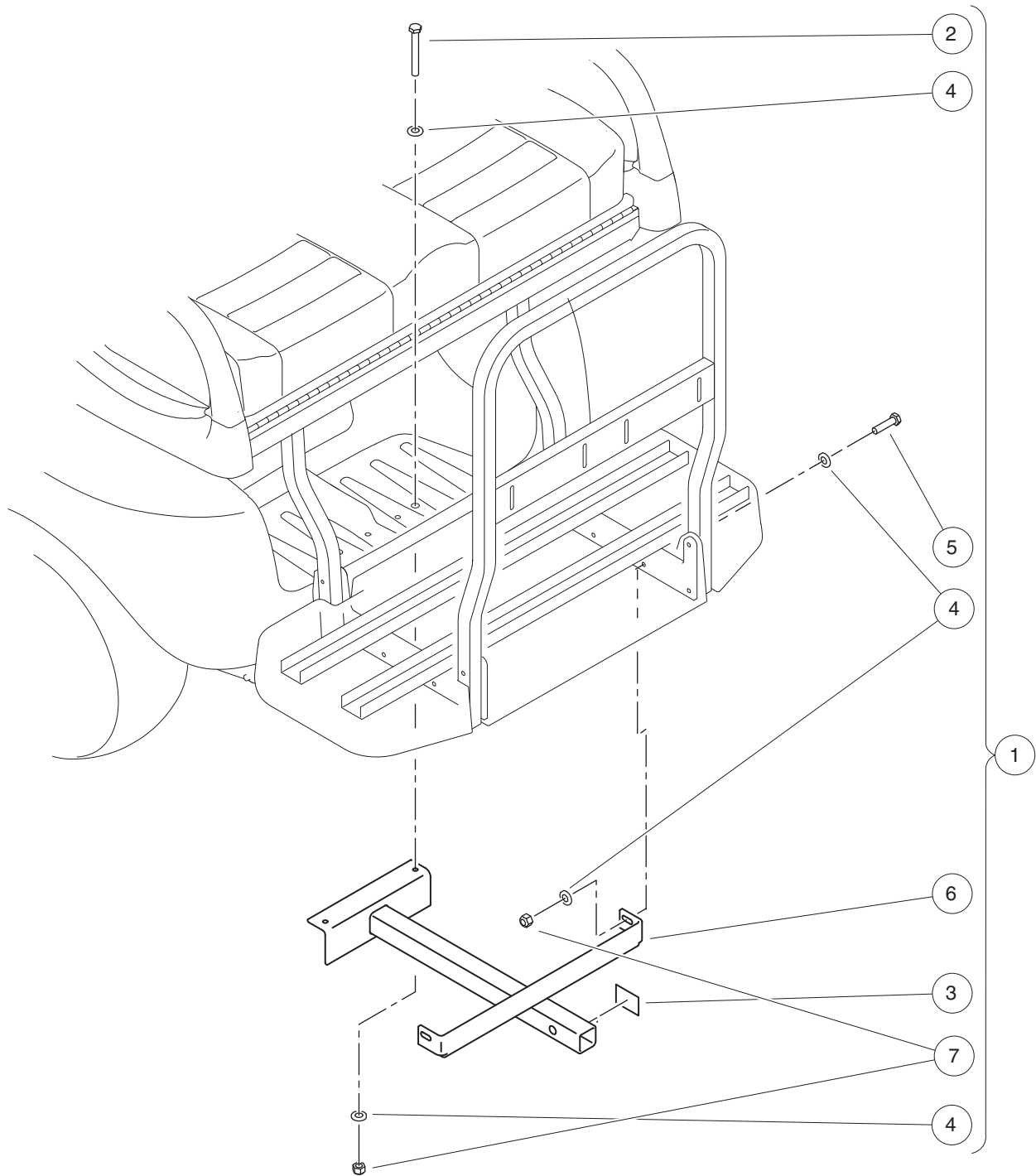
ITEM	PART NO.	DESCRIPTION	QTY
		1 2 3 4	
1	47554725001	Kit, Fenders, Rear, CSMR (includes items 2 through 4)	1
2	1010434	Barrel - Plastic	16
3	47555159001	Fender, Rear, Csmr, Driver-side	1
4	47555159002	Fender, Rear, Csmr, Passenger-side	1

1

G

E

1
G
E



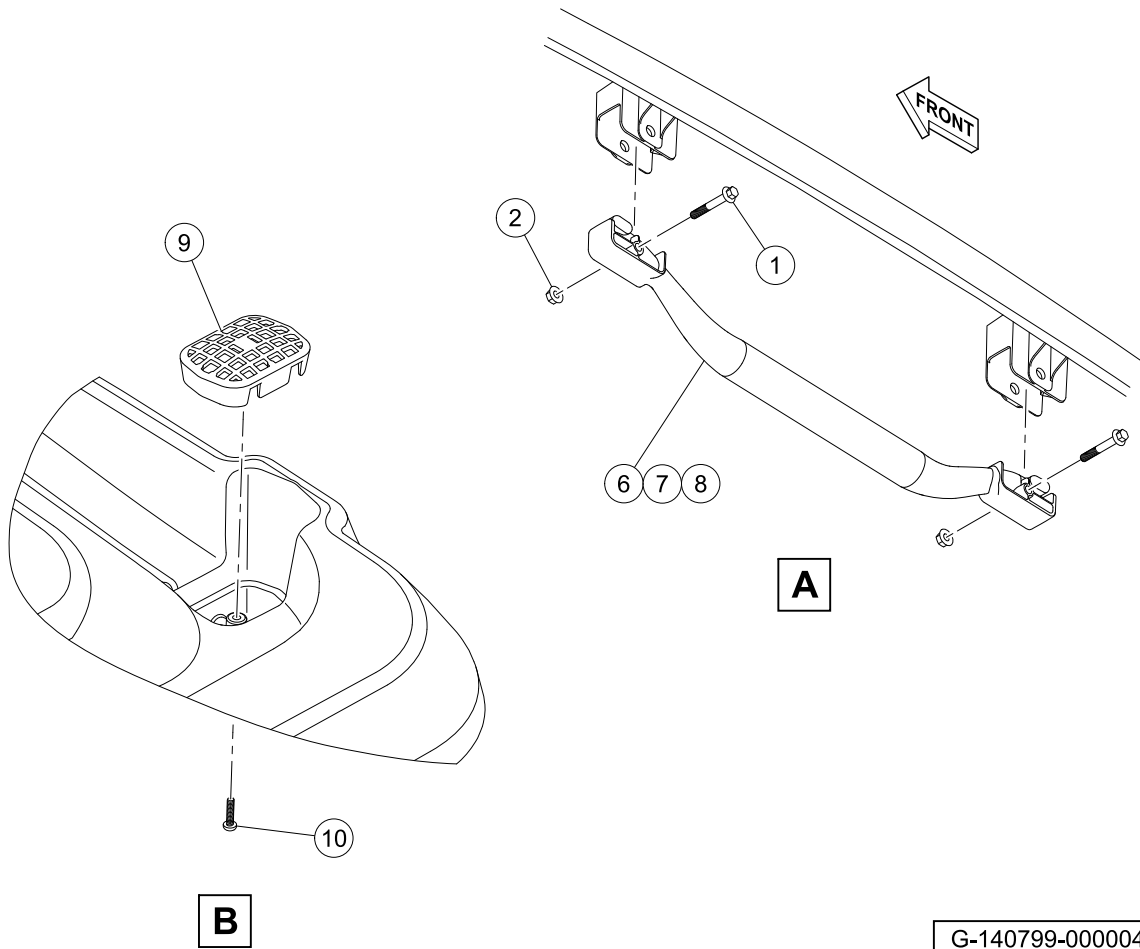
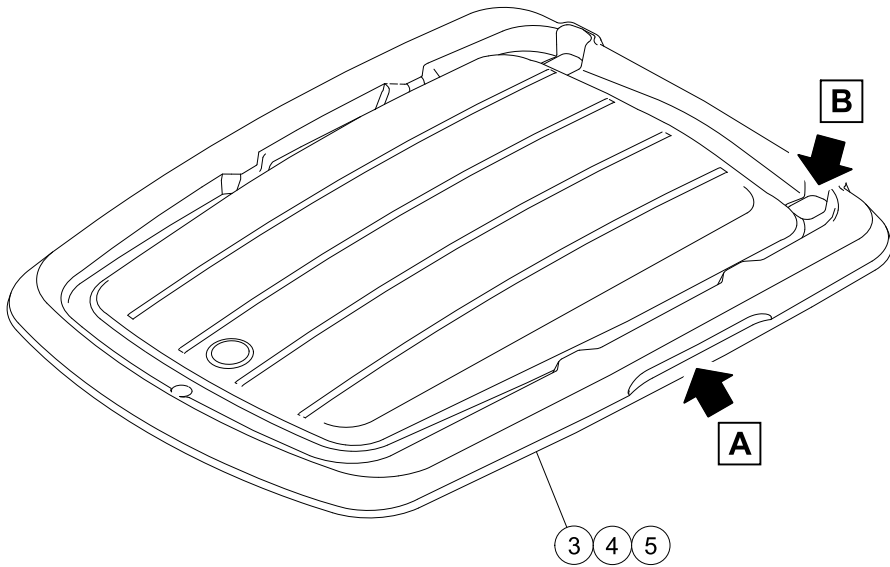
001328-001

RECEIVER HITCH

ITEM	PART NO.	DESCRIPTION	QTY
		1 2 3 4	
1	47578437001	Kit, Receiver Hitch, Csmr (includes items 2 through 7)	1
2	1010921	Screw, 5/16-18 X 2.50 Hex Cap	2
3	1011553	Decal, Trailer Hitch	1
4	1011697	Washer, 5/16 Flat	8
5	1218	Screw, 5/16-18 X 1.25 Hex-Head Cap	2
6	47575464001	Asm Receiver Hitch Weldment	1
7	7473	Locknut, 5/16-18 Nylon Insert	4

1
G
E

1
G
E



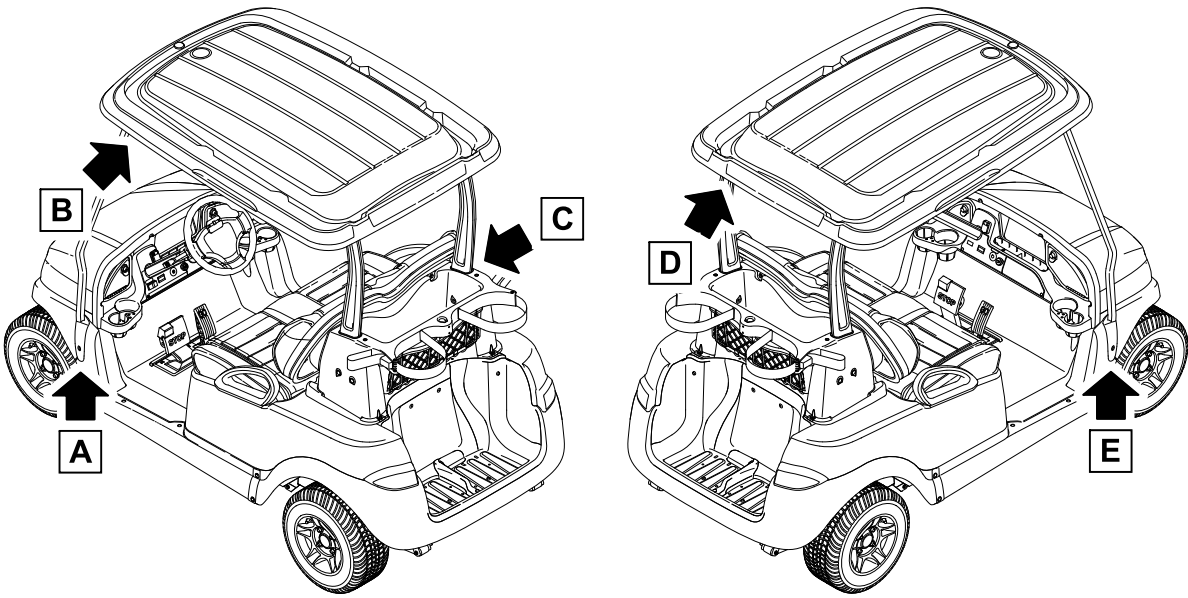
G-140799-000004

CANOPIES

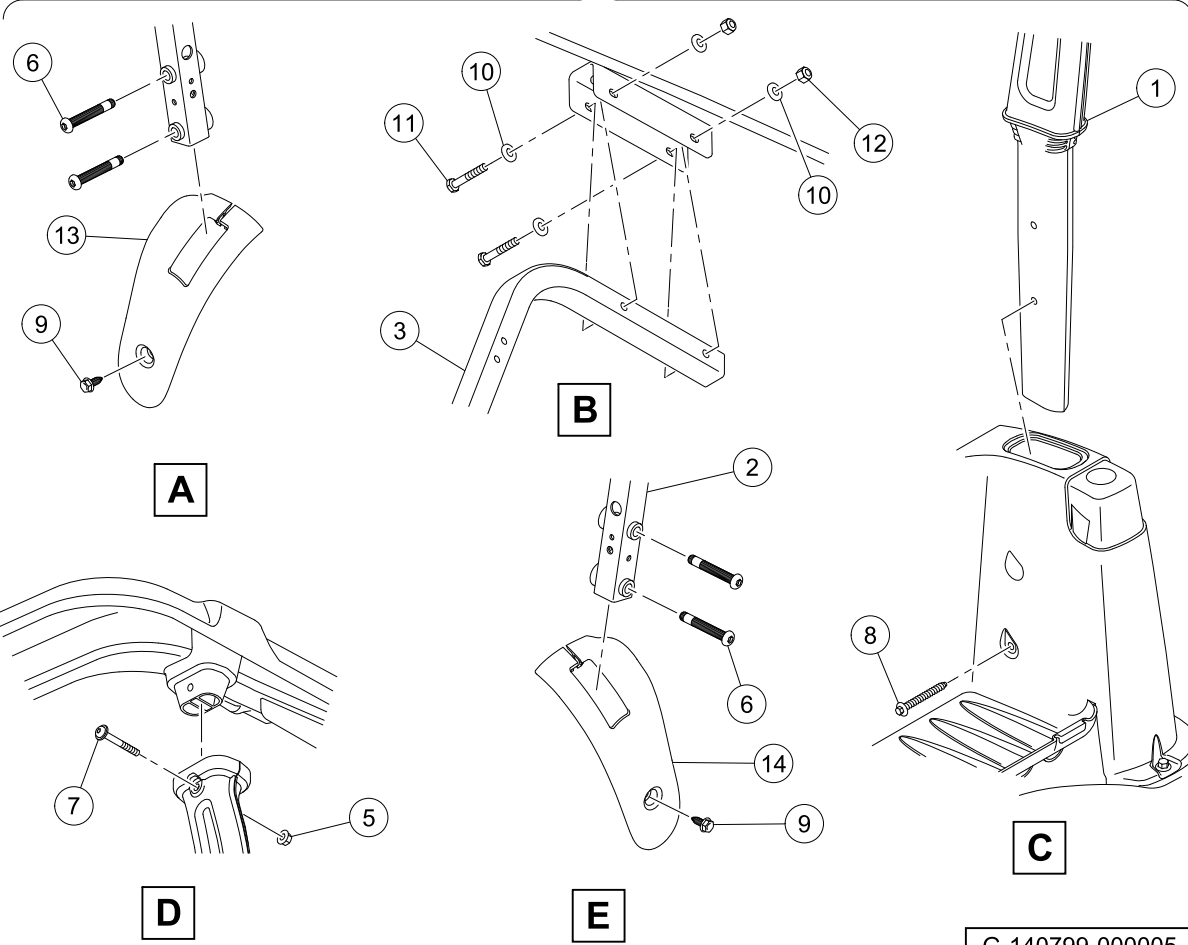
ITEM	PART NO.	DESCRIPTION	QTY
		1 2 3 4	
1	102296140	Bolt, Flanged Head, M6x1.0x40	4
2	102296401	Nut, M6x1.0, Flange, Metal Lock	4
3	102508901	Canopy-white	1
4	102508902	Canopy-beige	1
5	102508903	Canopy-black	1
6	102511601	Handle, Canopy (White)	2
7	102511602	Handle, Canopy (Beige)	2
8	102511603	Handle-canopy (black)	2
9	103205101	Cover, Drain, Canopy	2
10	103210101	Screw, #8 X.75, Torx, Tapping	2
11	104008001	Asm, Canopy W/handles, White	A/R
12	104008002	Asm, Canopy W/handles, Beige	A/R
13	104008003	Asm, Canopy W/handles, Black	A/R
		<p>Note: Items 11, 12 and 13 are not illustrated. If ordered, the canopy assembly will be supplied with all applicable detail parts.</p>	

1
G
E

1
G
E



4



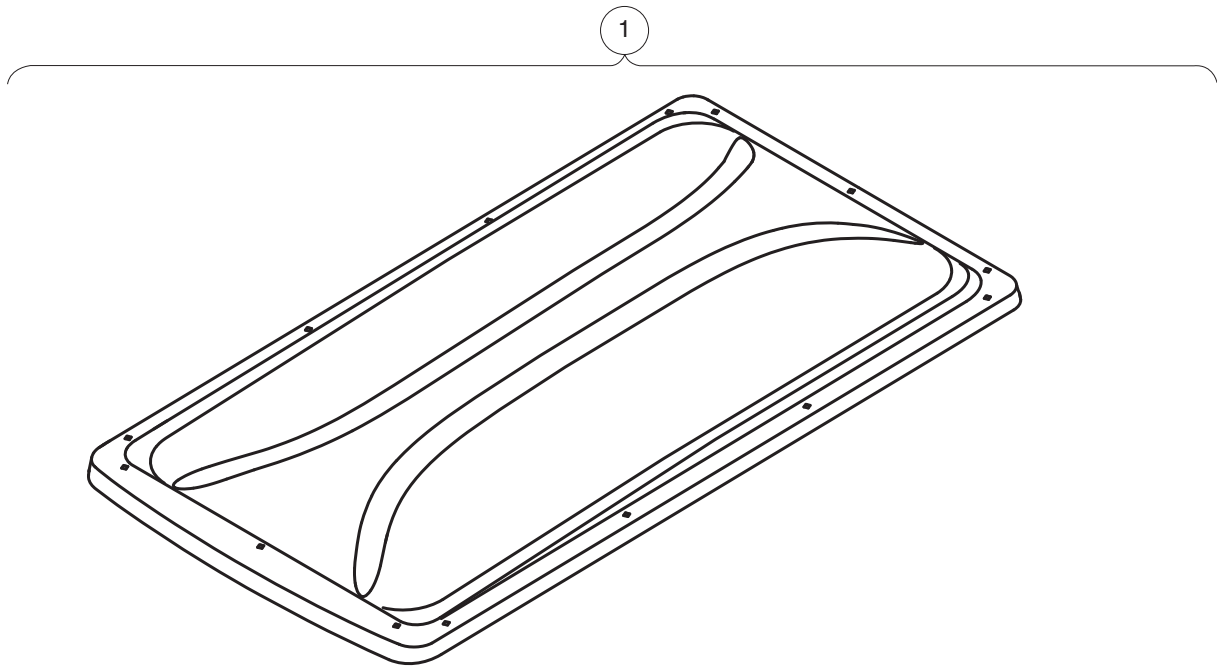
G-140799-000005

CANOPY STRUTS

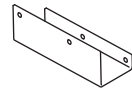
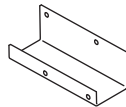
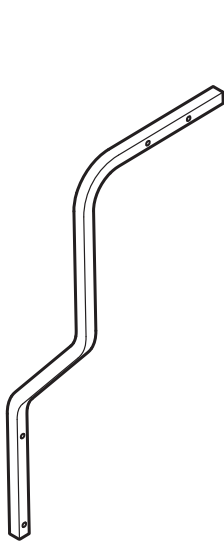
ITEM	PART NO.	DESCRIPTION	QTY
		1 2 3 4	
1	102513501	Asm-rear Canopy Support	2
2	103750001	Strut, Canopy Front, Passenger-side	1
3	103750101	Strut, Canopy Front, Driver-side	1
4	104008501	Kit, Hardware, Canopy, Std (includes items 5 through 12)	1
5	102298401	Nut, M8, All Metal Lock	2
6	102299065	M8-1.25 X 65 Tx Bttn Hd Bolt	4
7	102299360	Screw, M8-1.25 X 60, Sems, Tx	2
8	102299601	Screw, Pt, K80x70 Hex Flg Hd	2
9	102544201	Screw, M6 Hex	2
10	103196001	Washer, Conical Spring, Canopy	8
11	103199301	Bolt - M6 X 1 X 45 Hh Grey	4
12	103200301	Nut, M6 x 1.00	4
13	47631793001	Cover, Canopy Support, LH	1
14	47631793002	Cover, Canopy Support, RH	1

1
G
E

1
G
E



2

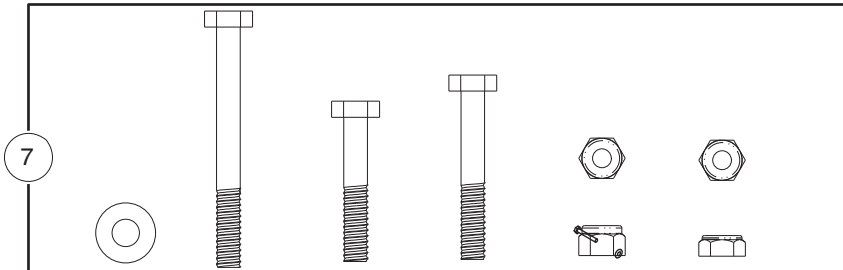


3

4

5

6



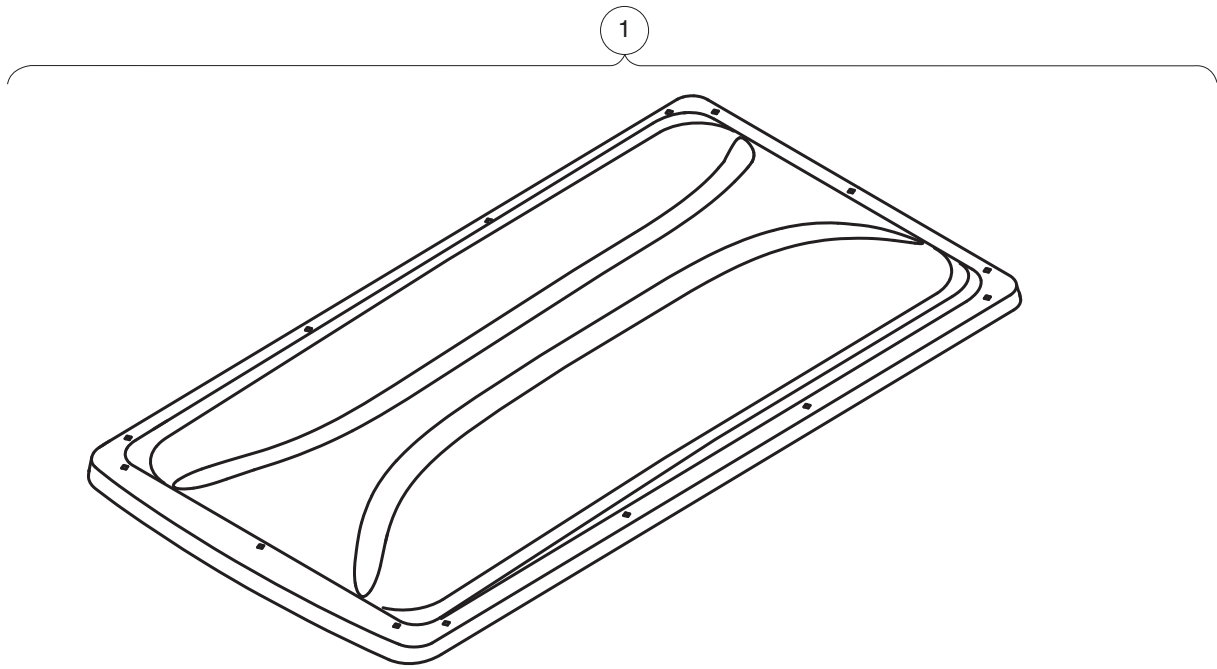
001329-001

FOUR-PASSENGER CANOPY WITH REAR STRUTS – BLACK

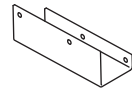
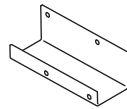
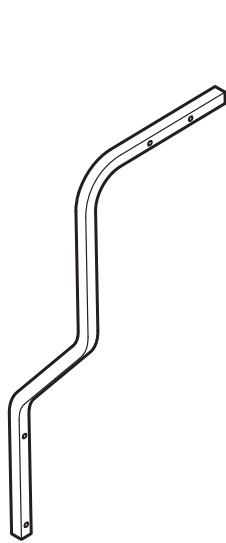
ITEM	PART NO.	DESCRIPTION	QTY
		1 2 3 4	
1	47570464001	Kit, Canopy, Phantom, Blk (includes items 2 through 7)	1
2	N/A	Top, Canopy, Phantom Blk	1
3	N/A	Strut, Canopy, Phantom Ds	1
4	N/A	Strut, Canopy, Phantom Ps	1
5	47582821001	Bracket, Canopy, Phantom Ds	1
6	47582821002	Bracket, Canopy, Phantom Ps	1
7	47583112001	Kit, Hardware, Canopy Phantom	1

1
G
E

1
G
E



2

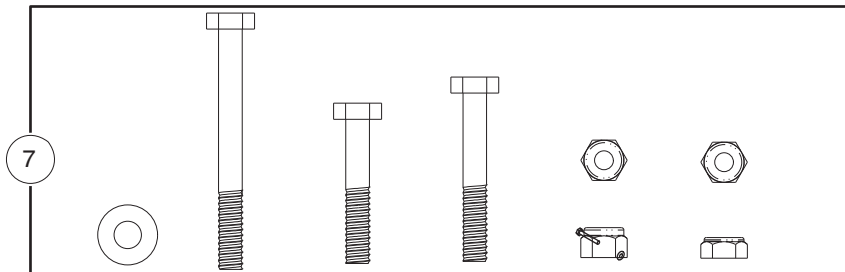


3

4

5

6



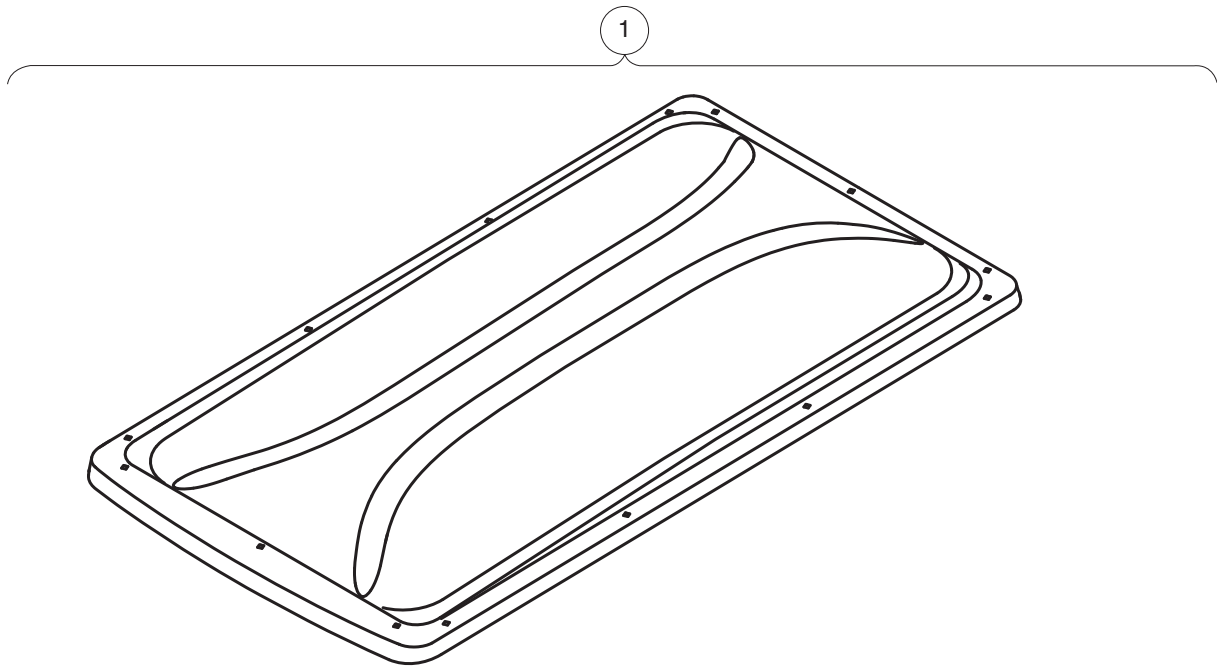
001329-001

FOUR-PASSENGER CANOPY WITH REAR STRUTS – WHITE

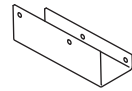
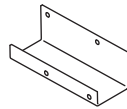
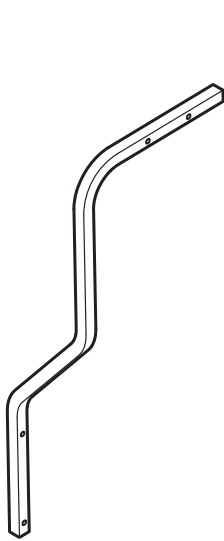
ITEM	PART NO.	DESCRIPTION	QTY
		1 2 3 4	
1	47570464002	Kit, Canopy, Phantom, Wht (includes items 2 through 7)	1
2	N/A	Top, Canopy, Phantom Wht	1
3	N/A	Strut, Canopy, Phantom Ds	1
4	N/A	Strut, Canopy, Phantom Ps	1
5	47582821001	Bracket, Canopy, Phantom Ds	1
6	47582821002	Bracket, Canopy, Phantom Ps	1
7	47583112001	Kit, Hardware, Canopy Phantom	1

1
G
E

1
G
E



2

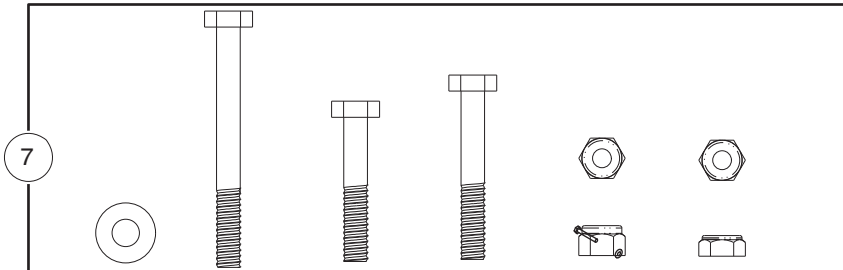


3

4

5

6



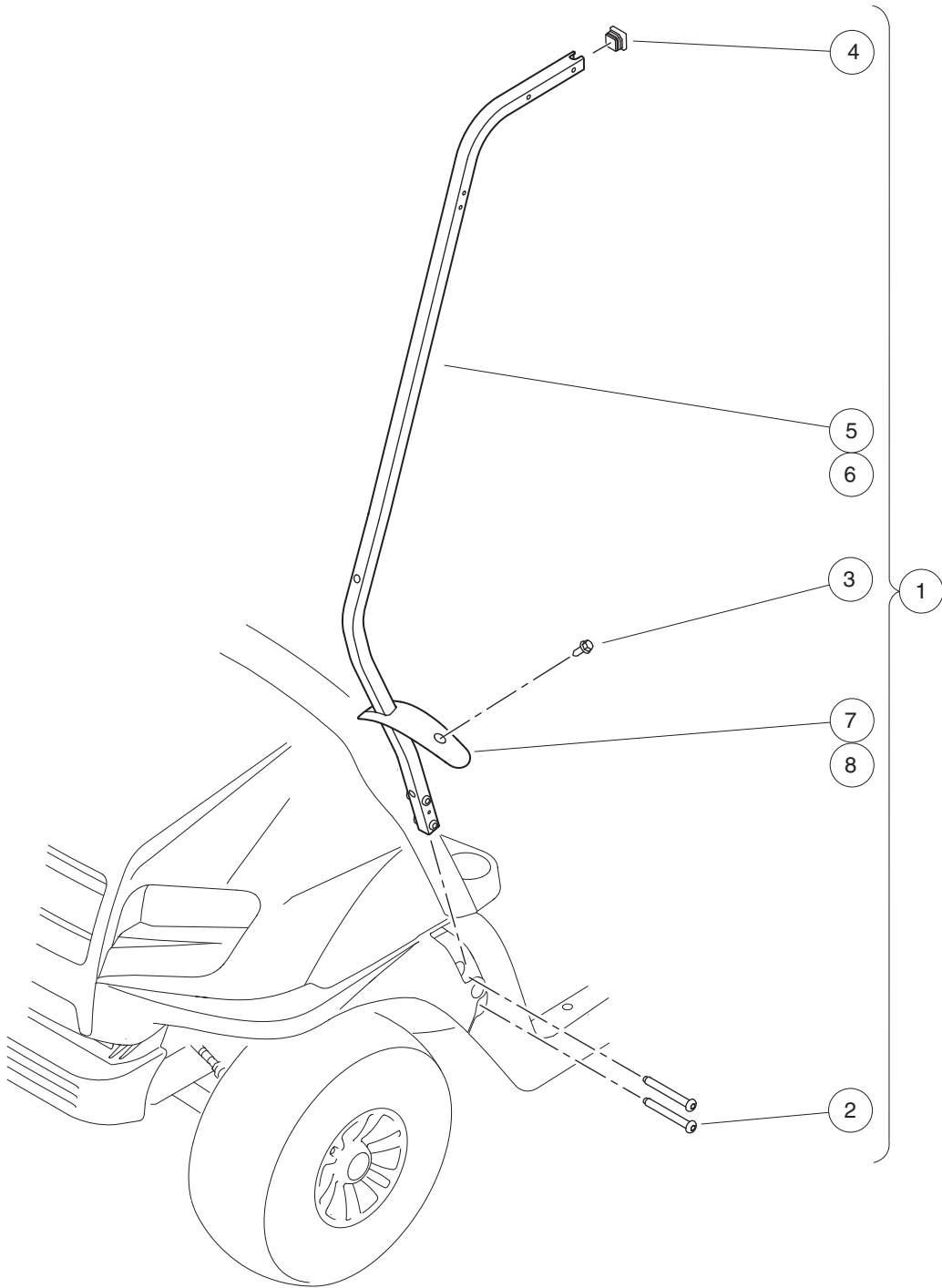
001329-001

FOUR-PASSENGER CANOPY WITH REAR STRUTS – BEIGE

ITEM	PART NO.	DESCRIPTION	QTY
		1 2 3 4	
1	47570464003	Kit, Canopy, Phantom, Beige (includes items 2 through 7)	1
2	N/A	Top, Canopy, Phantom Beige	1
3	N/A	Strut, Canopy, Phantom Ds	1
4	N/A	Strut, Canopy, Phantom Ps	1
5	47582821001	Bracket, Canopy, Phantom Ds	1
6	47582821002	Bracket, Canopy, Phantom Ps	1
7	47583112001	Kit, Hardware, Canopy Phantom	1

1
G
E

1
G
E



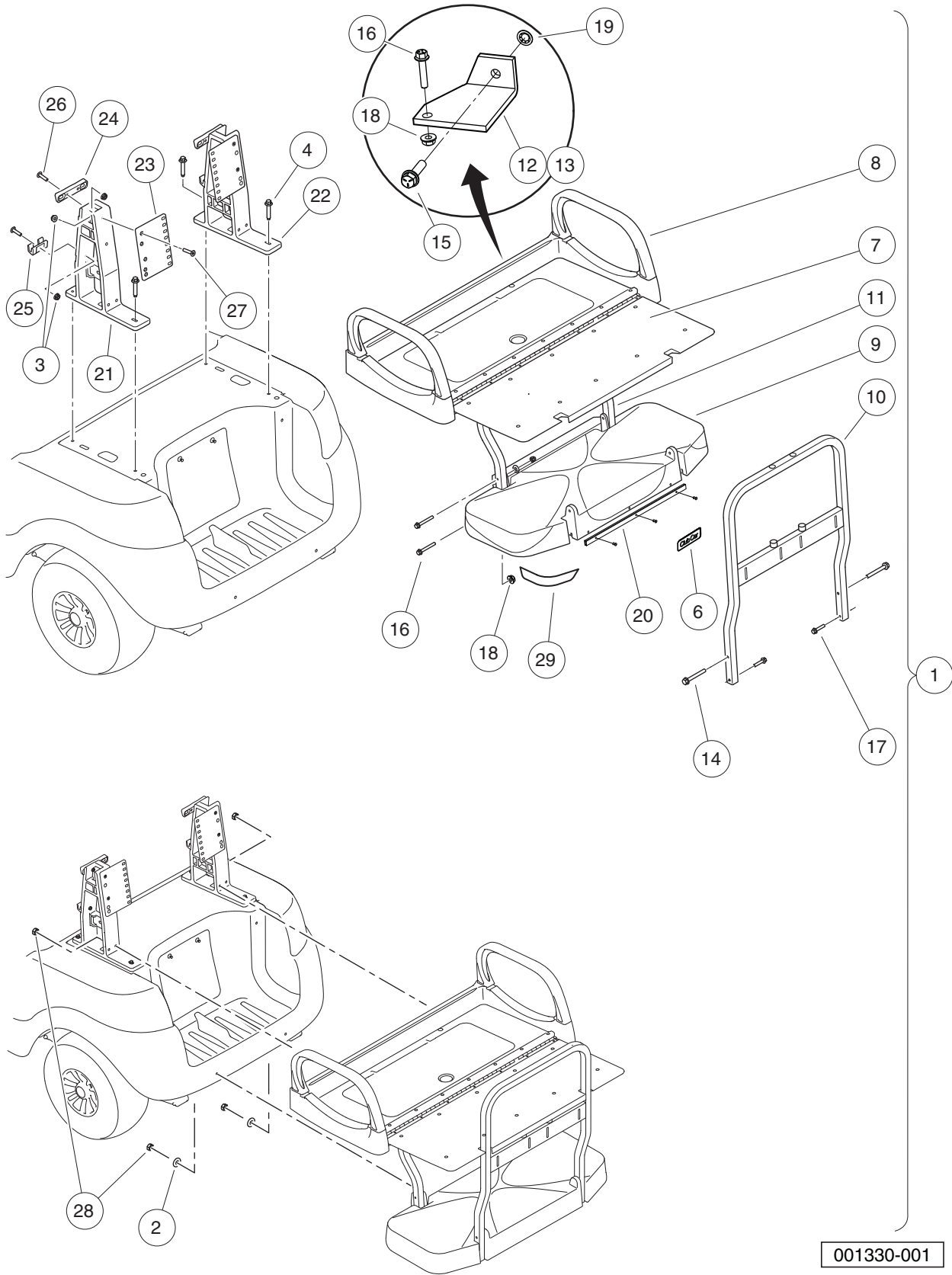
001397-002

FRONT STRUT KIT, FOUR-PASSENGER CANOPY

ITEM	PART NO.	DESCRIPTION	QTY
		1 2 3 4	
1	47592812003	Kit, Front Struts, Onward, 4Pass (includes items 2 through 8)	1
2	102299065	M8-1.25 X 65 Tx Bttn Hd Bolt	4
3	102544201	Screw, M6 Hex	2
4	102581201	Plug, Square - 25.4 mm	2
5	103750001	Strut, Canopy Front, Passenger-side	1
6	103750101	Strut, Canopy Front, Driver-side	1
7	47631793001	Cover, Canopy Support, LH	1
8	47631793002	Cover, Canopy Support, RH	1

1
G
E

1
G
E



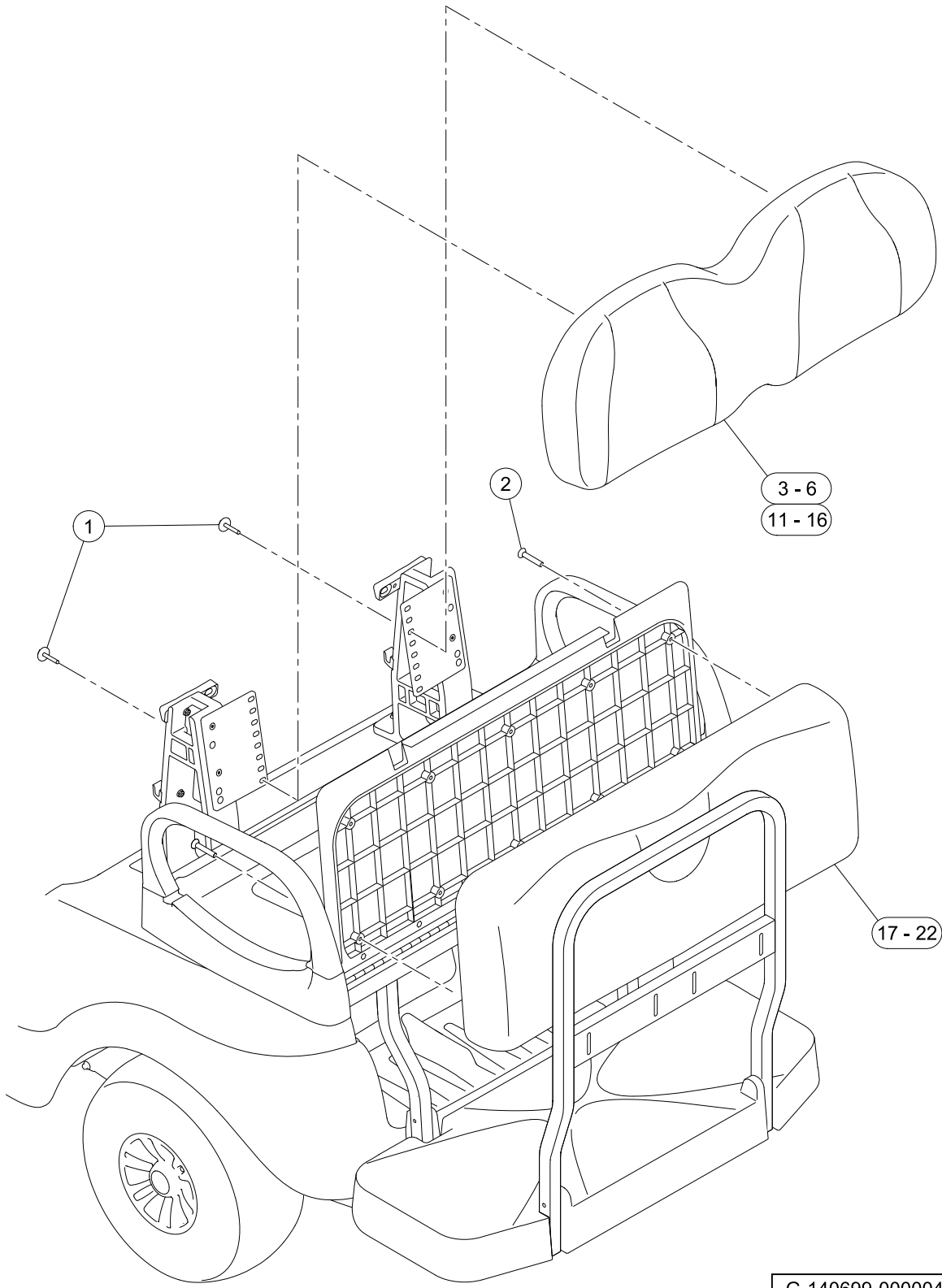
001330-001

REAR-FACING SEAT FRAME AND FOOT DECK – CONSUMER CAR

ITEM	PART NO.	DESCRIPTION	QTY
		1 2 3 4	
1	47592811001	Kit, Folddown, Seatback, 4-Passenger (includes items 2 through 29)	1
2	1011578	Washer, 5/16 Type B Flat	2
3	101835601	Locknut, 1/4-20 Hex Whiz	8
4	102298240	Bolt, Flange Head, M8-1.25 X 40	4
5	N/A	Asm, Fold Down Seat, Csmr, MX5 (includes items 6 through 20)	1
6	102278802	Decal, Club Car, Silver	1
7	47564782001	Assy, Seat Base, Dmd, Mx5	1
8	47564783001	Arm Rest, Mx5	2
9	47564784001	Assy, Foot Rest, Mx5	1
10	47564785001	Grab Bar, Rear, Mx5	1
11	47564786001	Support, Bumper Mount, MX5	1
12	47564787001	Bracket, Seat Base Mount, Driver-side, MX5	1
13	47564787002	Bracket, Seat Base Mount, Passenger-side, MX5	1
14	47568672001	Bolt, 5/16-18x2.5 Hx Flg Zn G8	4
15	47568673001	Bolt, 5/16-18x1.25 Hx Flg Zn G5	2
16	47568674001	Bolt, 1/4-20x2.0 Hx Flg Zn G5	6
17	47568674002	Bolt, 1/4-20x1.25 Hx Flg Zn G5	4
18	47568676001	Nut, 1/4-20 Hx Flg Zn Nyloc	10
19	47568677001	Nut, 5/16, Push, Ps	4
20	47581051001	Stiffener, Foot Rest, Mx5	1
21	47563300001	Support, Seat Back, Driver-side, MX5, Csmr	1
22	47563300002	Support, Seat Back, Passenger-side, MX5, Csmr	1
23	47563301001	Bracket, Seat Back, Rear, Csmr	2
24	47563302001	Brkt, St Bk, Frnt, Top, Csmr	2
25	47563303001	Bracket, Seat Back, Front, Bottom, CSMR	2
26	47563304001	Screw, Trshd, 1/4-20x1.00, Lp	4
27	47563305001	Screw, Flthd, 1/4-20x1.25, Lp	4
28	47568675001	Nut, 5/16-18 Hx Flg Zn Nyloc	4
29	47578327001	Reflector, Reflex, Red, Mx5	2

1
G
E

1
G
E



G-140699-000004

REAR-FACING SEAT

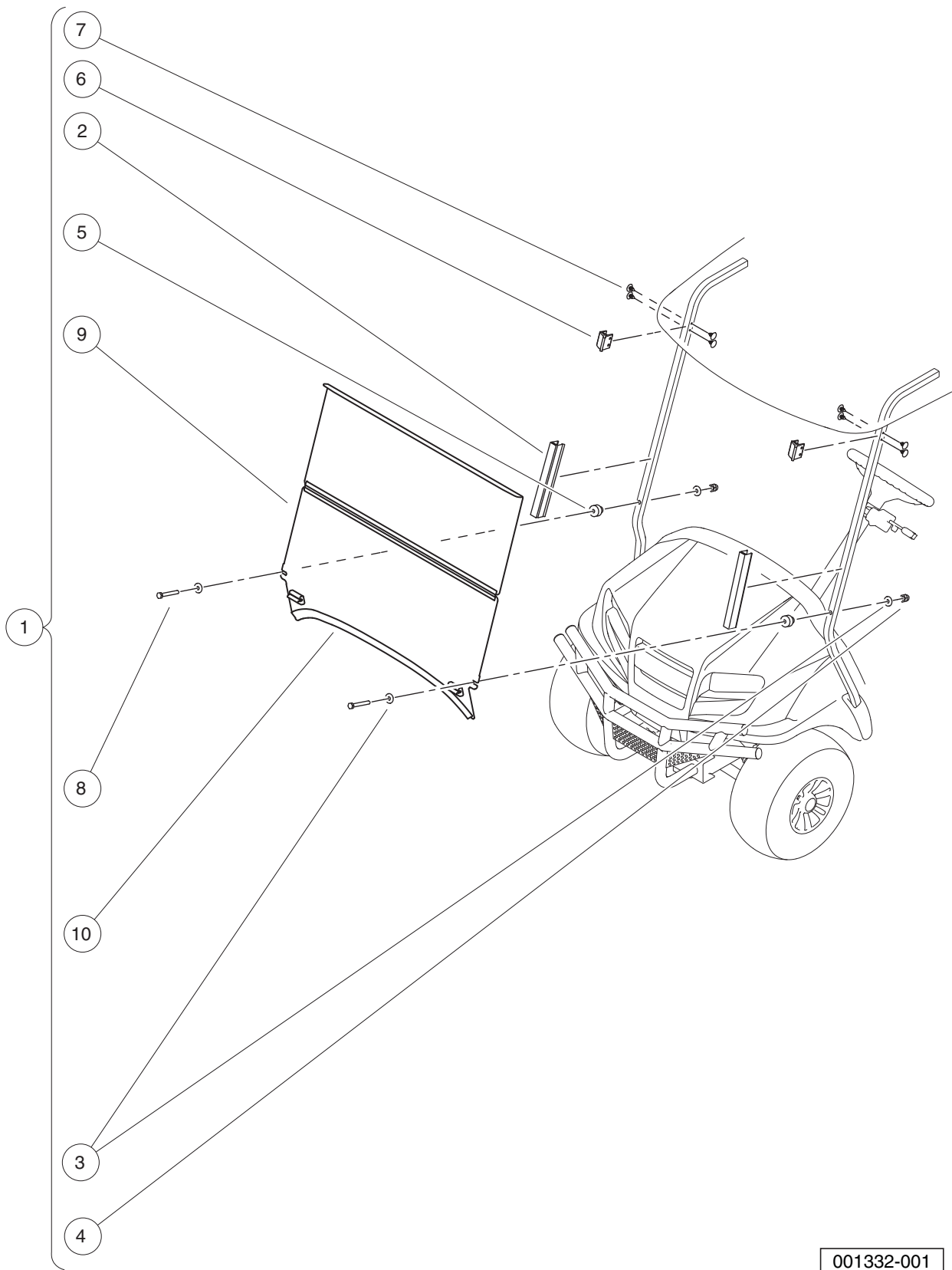
ITEM	PART NO.	DESCRIPTION	QTY
		1 2 3 4	
1	47563306001	Screw, M6x1.0x30, Sems, Lp	4
2	47563307001	Screw, Flthd, 1/4-20x1.50, Ss	10
3	47564886021	Asm, Seat Back, Rear, Beige, Service Replacement	1
4	47564886022	Asm, Seat Back, Rear, White, Service Replacement	1
5	47564886024	Asm, Seat Back, Rear, Gray, Service Replacement	1
6	47564886025	Asm, Seat Back, Rear, Black, Service Replacement	1
7	47564887021	Asm, Seat Bottom, Rear, Beige, Service Replacement	1
8	47564887022	Asm, Seat Bottom, Rear, White, Service Replacement	1
9	47564887024	Asm, Seat Bottom, Rear, Gray, Service Replacement	1
10	47564887025	Asm, Seat Bottom, Rear, Black, Service Replacement	1
11	47564888021	Asm, Seat Back, Rear, Lt. Beige, Service Replacement	1
12	47564888022	Asm, Seat Back, Rear, Camello, Service Replacement	1
13	47564888023	Asm, Seat Back, Rear, Off-White, Service Replacement	1
14	47564888025	Asm, Seat Back, Rear, Camello/Off-White, Service Replacement	1
15	47564888027	Asm, Seat Back, Rear, Black, Service Replacement	1
16	47564888028	Asm, Seat Back, Rear, Black/Gray, Service Replacement	1
17	47564889021	Asm, Seat Bottom, Rear, Lt. Beige, Service Replacement	1
18	47564889022	Asm, Seat Bottom, Rear, Camello, Service Replacement	1
19	47564889023	Asm, Seat Bottom, Rear, Off-White, Service Replacement	1
20	47564889025	Asm, Seat Bottom, Rear, Camello/Off-White, Service Replacement	1
21	47564889027	Asm, Seat Bottom, Rear, Black, Service Replacement	1
22	47564889028	Asm, Seat Bottom, Rear, Black/Gray, Service Replacement	1
<p>Note: For current or additional color options, contact your local Club Car dealer or distributor.</p>			

1

G

E

1
G
E



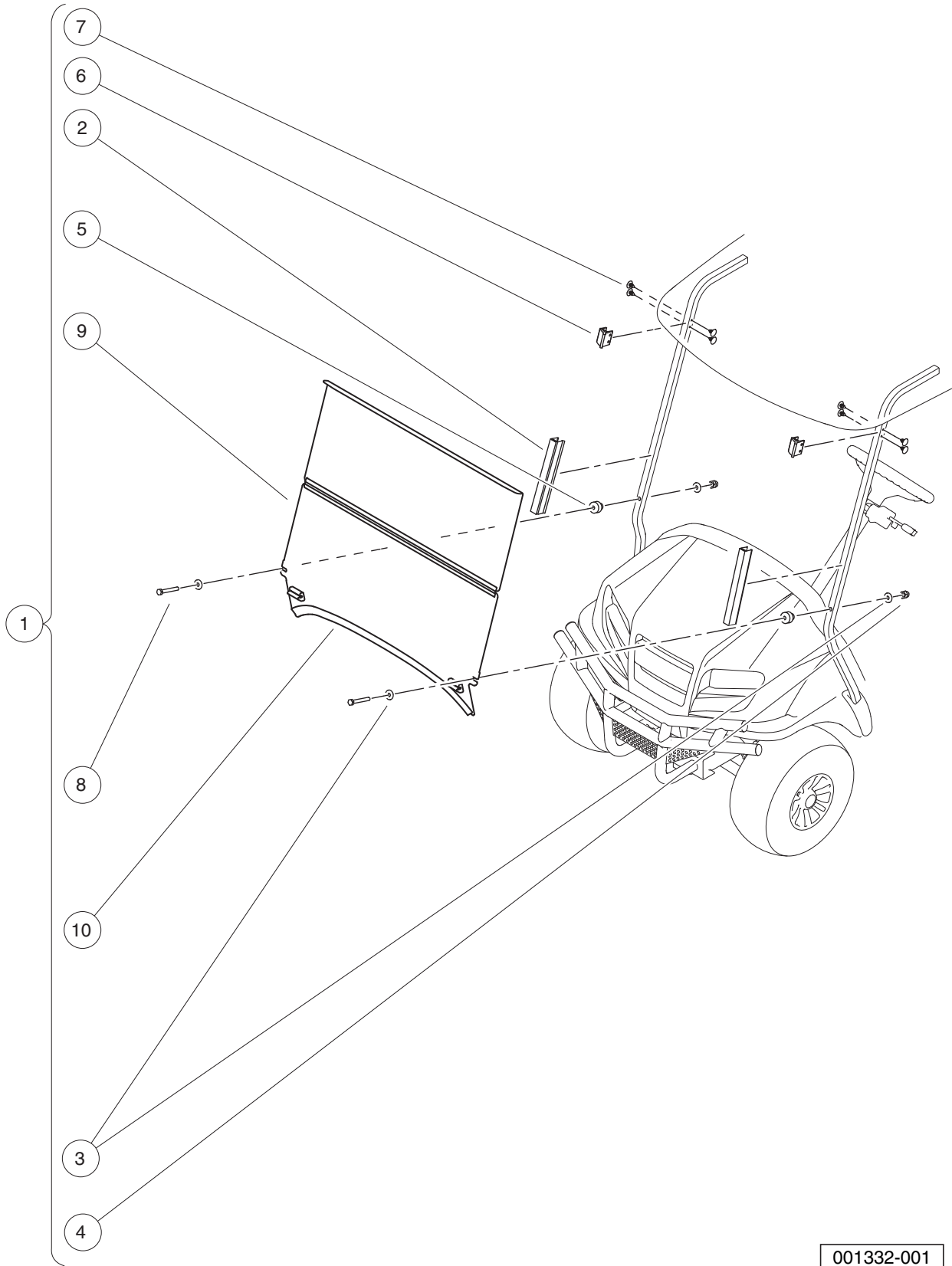
001332-001

HINGED WINDSHIELD, CLEAR

ITEM	PART NO.	DESCRIPTION	QTY
		1 2 3 4	
1	47576798001	Kit, Std Hinged W/s, Csmr (includes items 2 through 9)	1
2	102163001	Windshield Channel	2
3	102296301	Washer, M6x18x1.6 Flat	4
4	102582401	Cap Nut M6, Sp	2
5	102947601	Grommet, Windshield	2
6	103677101	W/s, Rubber, Clip Retainer	2
7	103754901	Fastener, Barrel - .610 X .25	8
8	105289701	M6x1.0x48 Hex Hd Bolt-blk	2
9	47576797001	Asm Hinged/windshield Consumer (includes item 10)	1
10	47576796001	Bulb Seal, Windshield	1

1
G
E

1
G
E



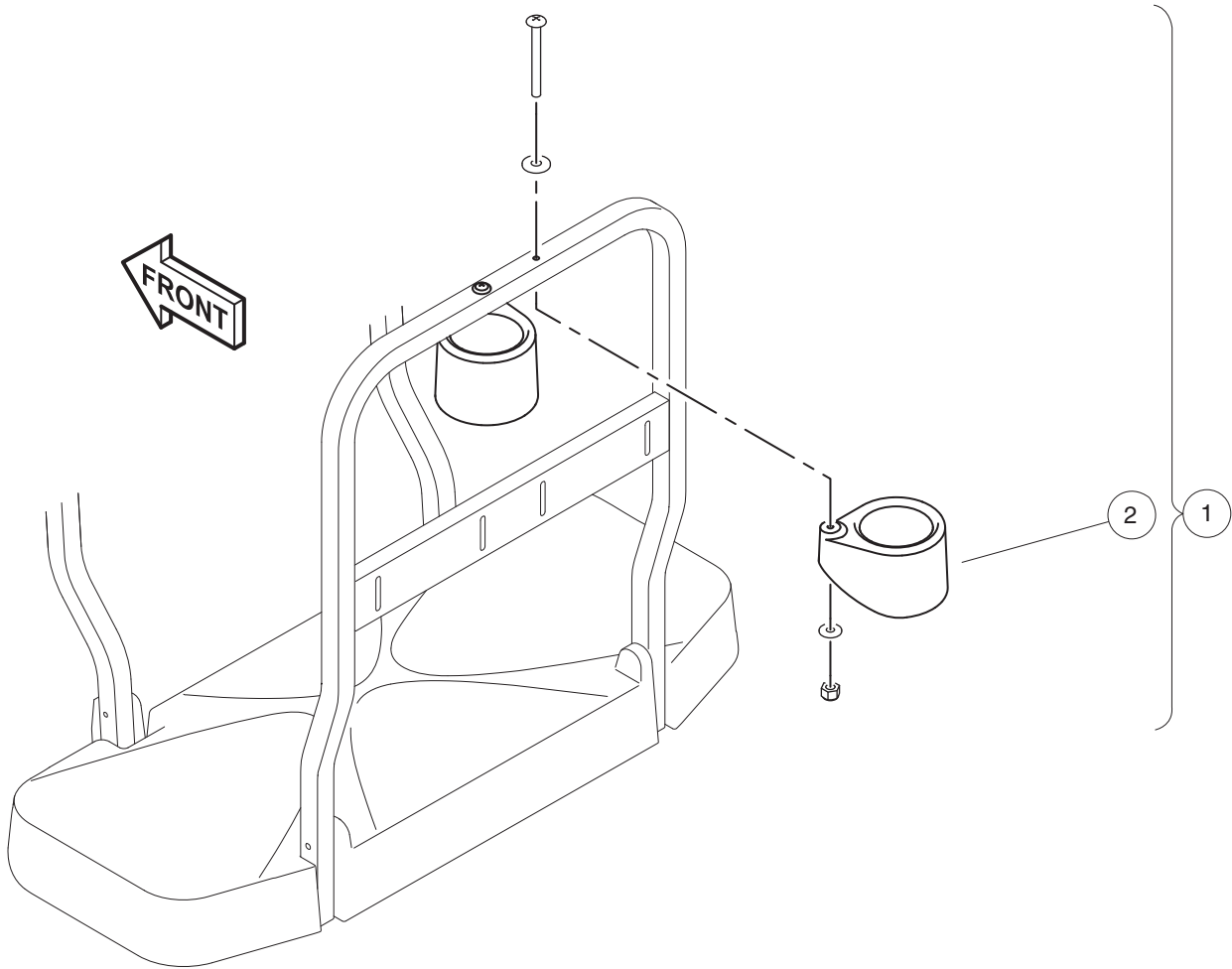
001332-001

HINGED WINDSHIELD, TINTED

ITEM	PART NO.	DESCRIPTION	QTY
		1 2 3 4	
1	47579760001	Kit, Hinged W/s Tinted, Cnsmr (includes items 2 through 9)	1
2	102163001	Windshield Channel	2
3	102296301	Washer, M6x18x1.6 Flat	4
4	102582401	Cap Nut M6, Sp	2
5	102947601	Grommet, Windshield	2
6	103677101	W/s, Rubber, Clip Retainer	2
7	103754901	Fastener, Barrel - .610 X .25	8
8	105289701	M6x1.0x48 Hex Hd Bolt-blk	2
9	47579759001	Asm Hinged/ws Tinted Cnsmr (includes item 10)	1
10	47576796001	Bulb Seal, Windshield	1

1
G
E

1
G
E



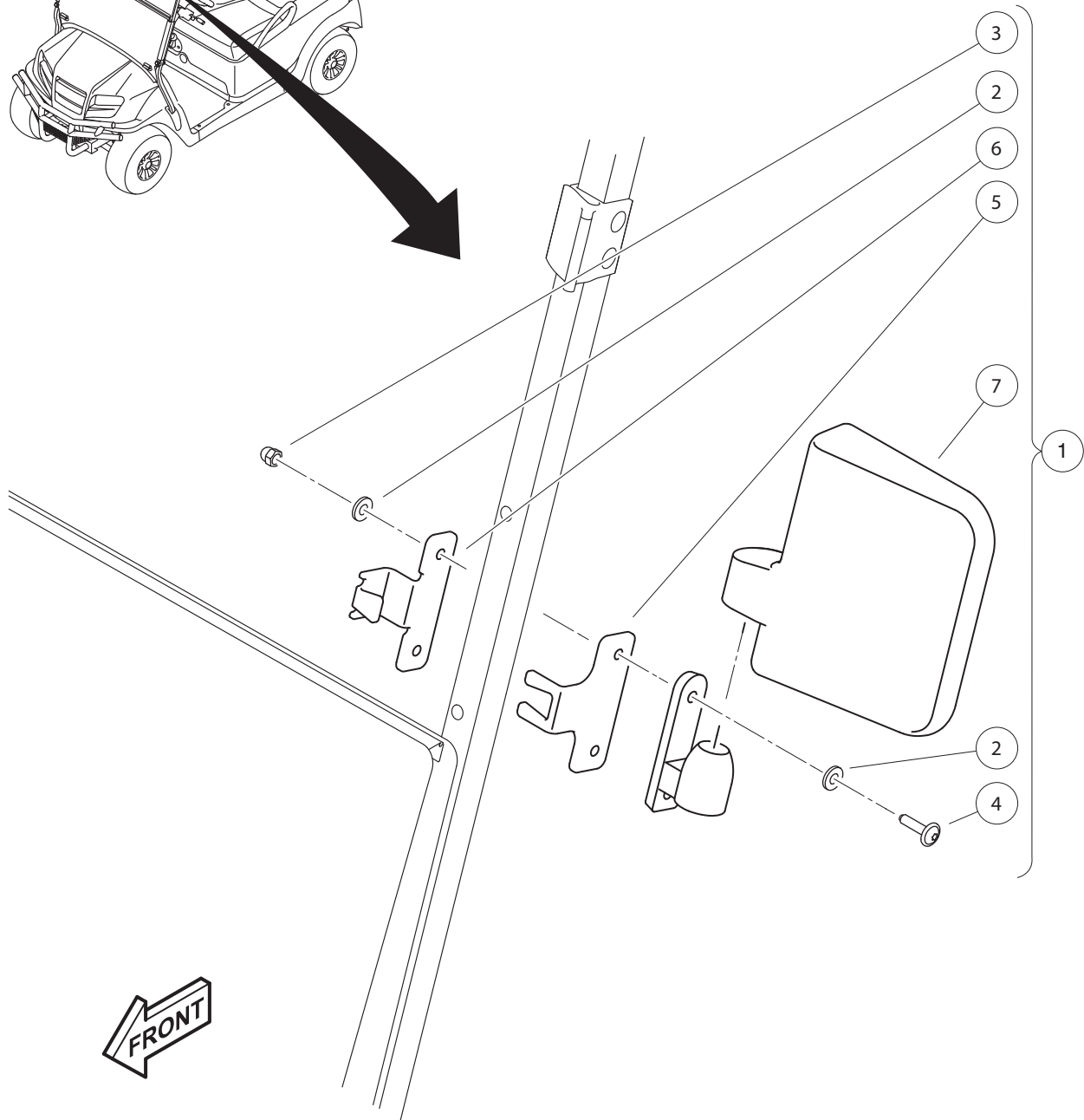
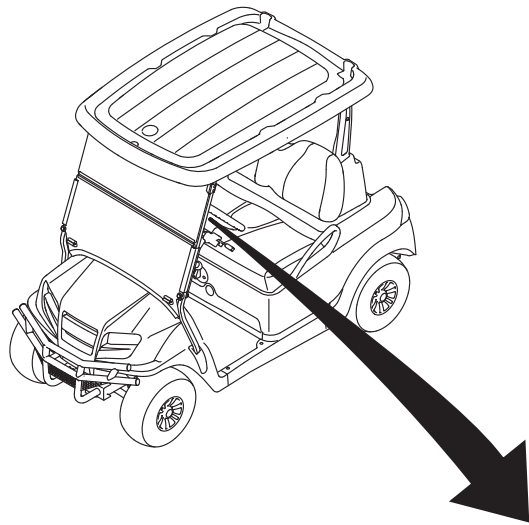
001333-001

BEVERAGE HOLDER

ITEM	PART NO.	DESCRIPTION	QTY
1	47579985001	1 2 3 4 Kit, Holder, Beverage, Mx5 (includes item 2)	1
2	47582270001	Assy, Holder, Beverage, Mx5	2

1
G
E

1
G
E



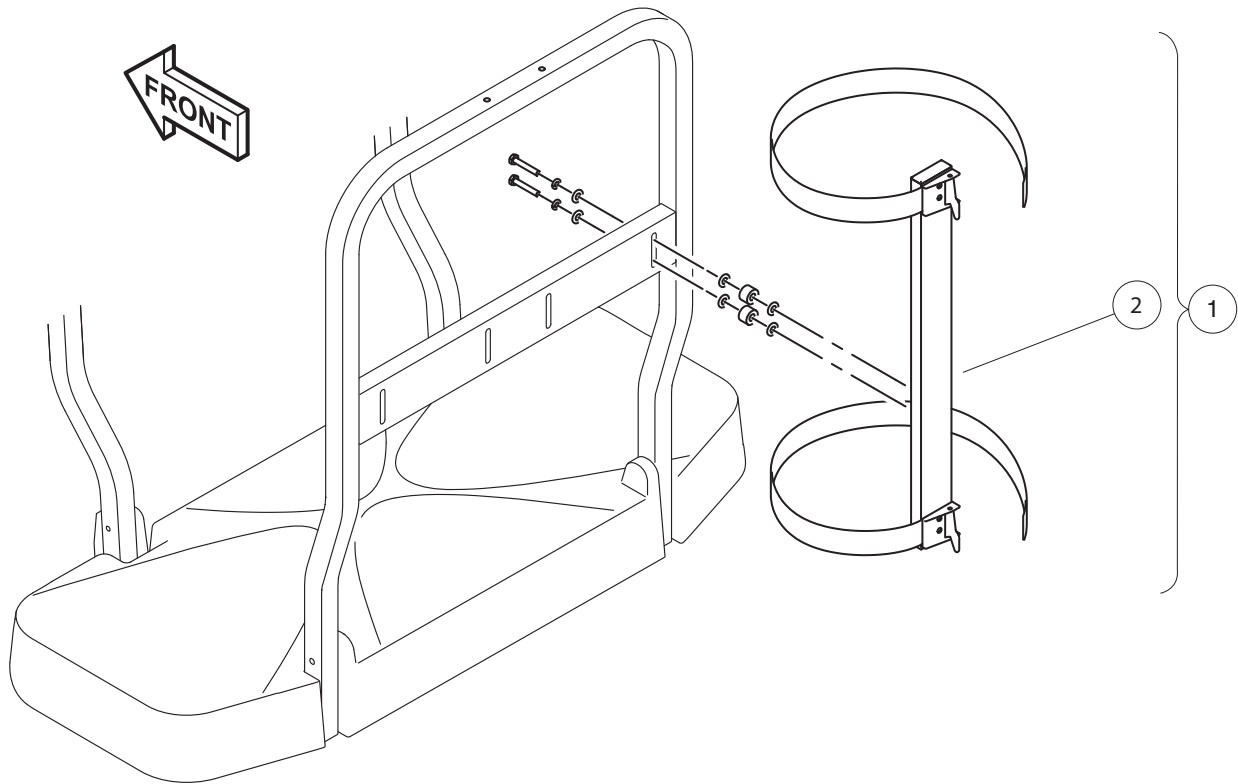
001336-001

MIRRORS, SIDE

ITEM	PART NO.	DESCRIPTION	QTY
		1 2 3 4	
1	47577558001	Kit, Side Mirrors, Csmr (includes items 2 through 7)	1
2	102324901	Washer, Flat, 1/4", Blk	8
3	102582401	Cap Nut M6, Sp	4
4	47577554001	Screw, M6, Torx T30 Recess	4
5	47577555001	Mirror Bracket, Mnt, Outer	2
6	47577556001	Mirror Bracket, Mnt, Inner	2
7	47577557001	Asm Side Mirrors, Res	1

1
G
E

1
G
E



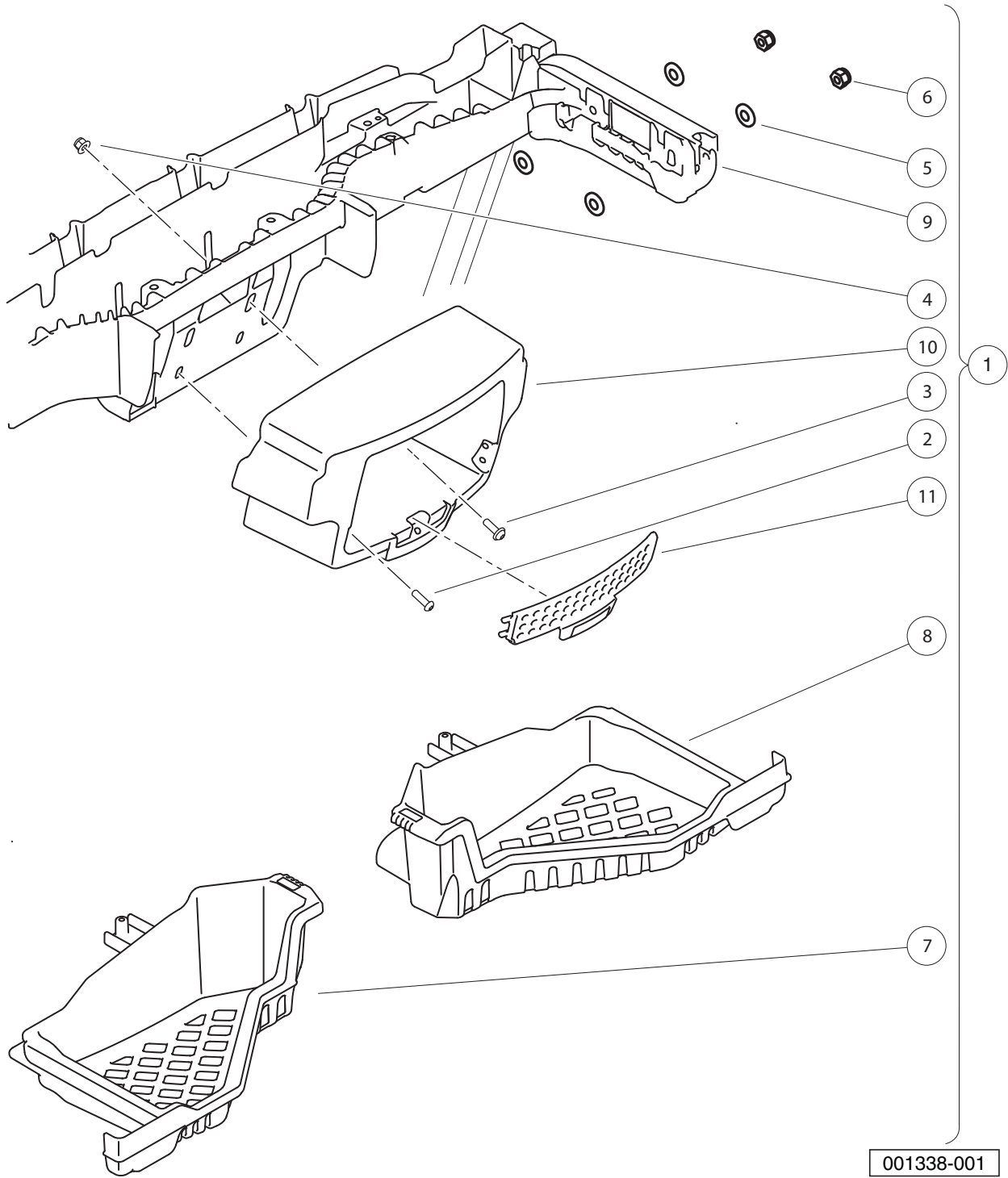
001337-001

GOLF BAG HOLDER

ITEM	PART NO.	DESCRIPTION	QTY
1	47570463001	1 2 3 4 Kit, Holder, Golf Bag, Mx5 (includes item 2)	1
2	47582268001	Assy, Holder, Golf Bag, Mx5	1

1
G
E

1
G
E



OVERHEAD STORAGE

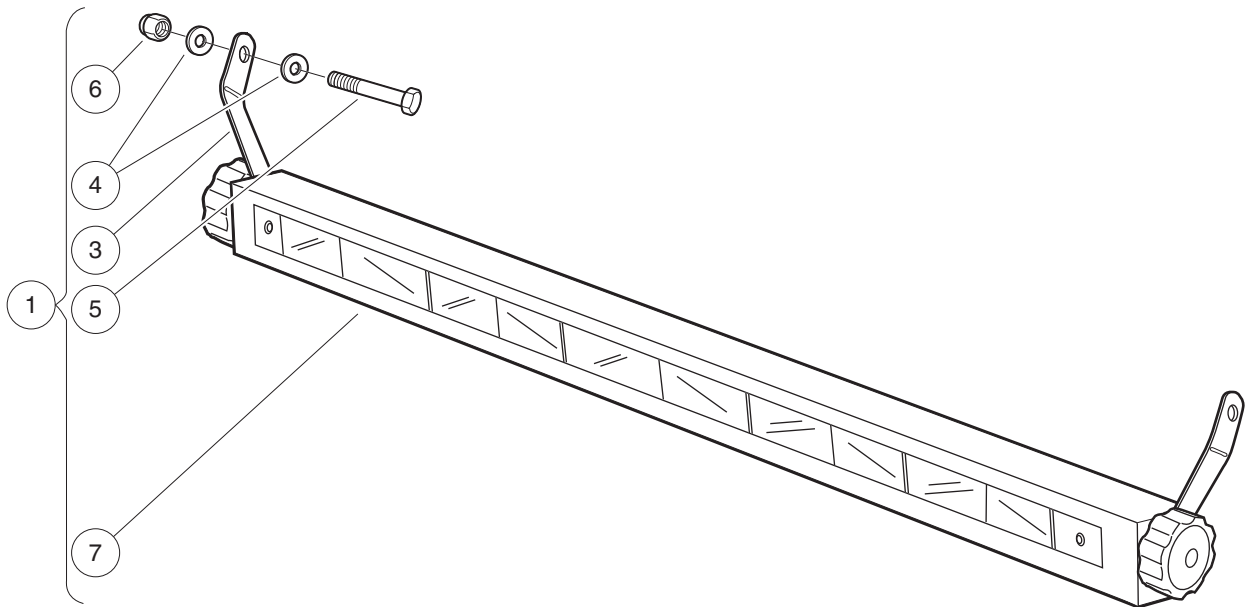
ITEM	PART NO.	DESCRIPTION	QTY
		1 2 3 4	
1	47582822001	Kit, Ovh Storage System (includes items 2 through 11)	1
2	102296150	Bolt - M6x1.0x50 Hex Flng Hd	4
3	102296920	Screw, M6, Torx Button Head, Sems	2
4	102621501	Nut, Flange, M6 X 1.0, Nylon	2
5	103196001	Washer, Conical Spring, Canopy	8
6	103200301	Nut, M6 x 1.00	4
7	47559264001	Basket, Overhead, Driver-side	1
8	47559264002	Basket, Overhead, Passenger-side	1
9	47559265002	Support, Display Unit, Bt	1
10	47581131001	Storage Unit, Center, Csmr	1
11	47581132001	Closeout, Plastic, Perforated	1

1
G
E

1

G

E



000720-005

MIRROR, 5-PANEL

ITEM	PART NO.	DESCRIPTION	QTY
		1 2 3 4	
1	AM15028001	Kit, Mirror 5 Panel, Csmr Pack (includes item 2)	1
2	105288901	Mirror Kit, Wink (includes items 3 through 7)	1
3	105313801	Brkt, Mirror, 5 Panel, Mtg	2
4	332	Washer, 1/4 Type A Narrow Flat	8
5	7311	Screw, 1/4-20 X 2.00 Hex-Head Cap	2
6	8233	Locknut, 1/4-20, Nylon Insert	2
7	AM10092	ICS 5-Panel Mirror	1
		Note: Item 2 is not illustrated.	

1
G
E

1

G

E

WHEELS AND TIRES

2

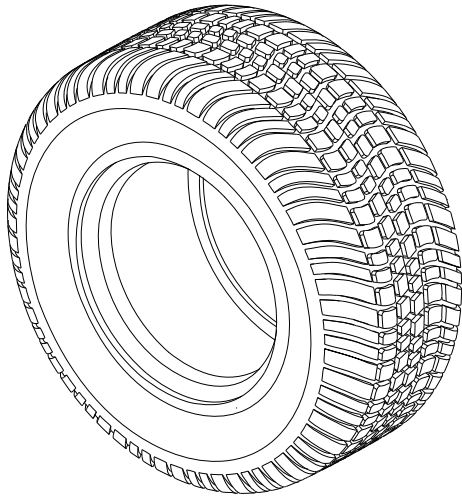
G

E

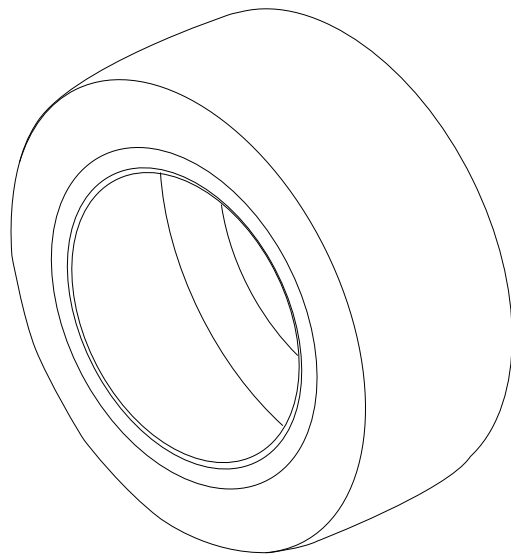
2

G

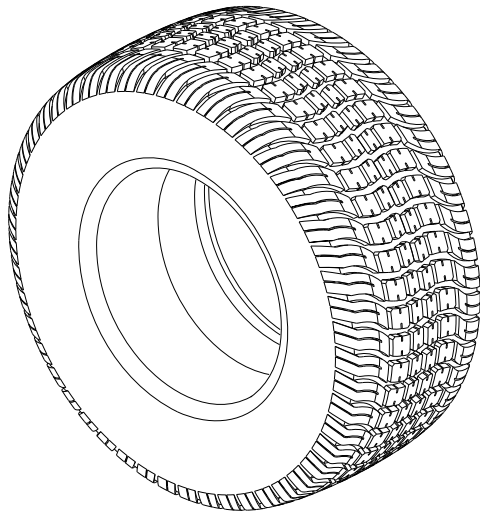
E



1



2 3



4

G-090099-000005

TIRES – ONWARD

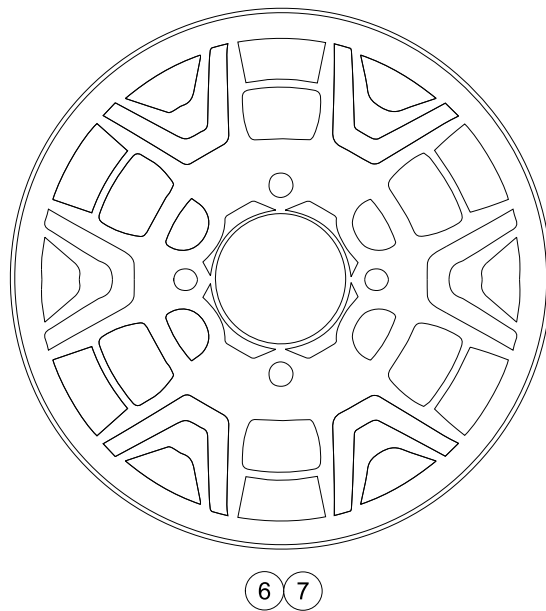
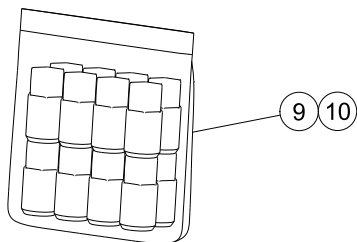
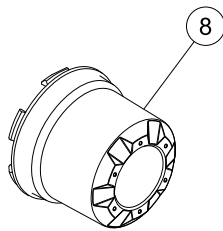
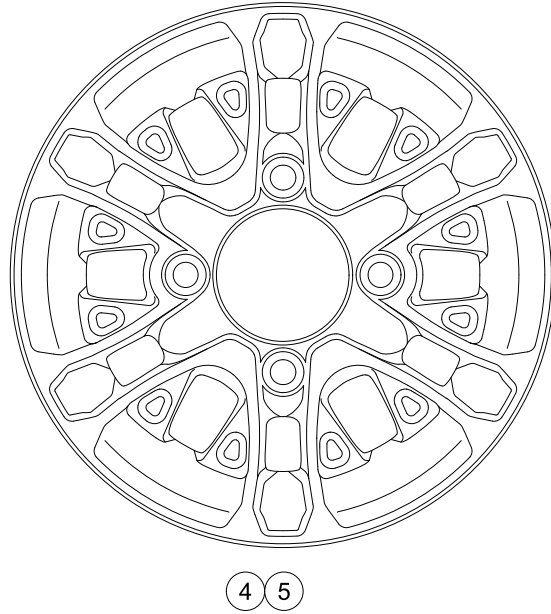
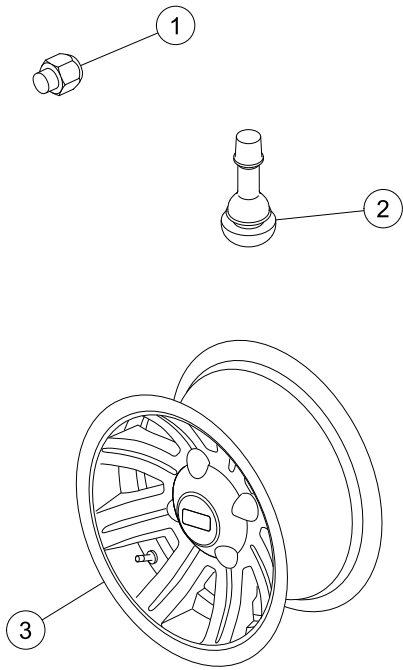
ITEM	PART NO.	DESCRIPTION	QTY
		1 2 3 4	
1	102556701	Tire, Pro Tour, 205-50 X 10	A/R
2	47561633001	Tire, 22x10-10 Kraken	A/R
3	47561635001	Tire, 23x10-14 Kraken	A/R
4	47561636001	Tire, 205/55-10 Loadstar	A/R
		<p>Note: For additional tire options that may be available, please contact your local Club Car dealer or distributor.</p>	

2

G

E

2
G
E



G-090099-000004

WHEELS – ONWARD

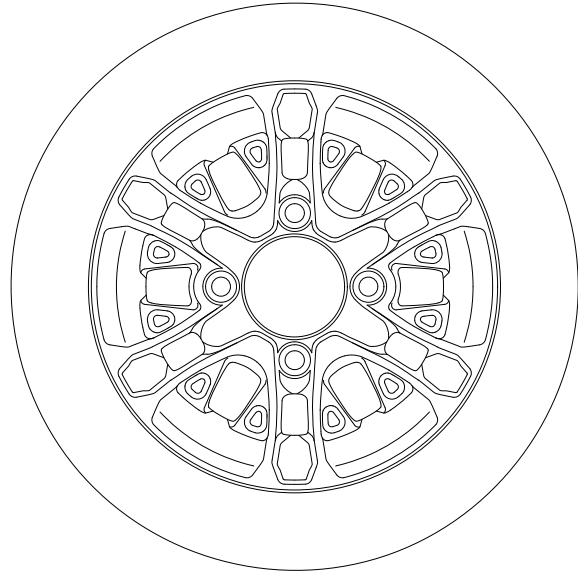
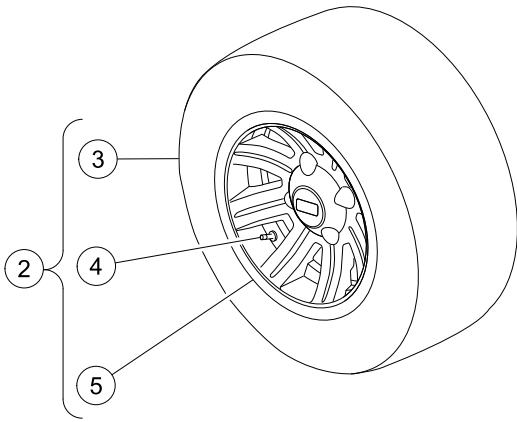
ITEM	PART NO.	DESCRIPTION	QTY
		1 2 3 4	
1	102540701	Lug Nut, 1/2" Closed End	A/R
2	103832401	Valve Stem With Cap, Chrome	A/R
3	103934901	Wheel, Aluminum 10x6, 8 Spoke	A/R
4	47561638001	Wheel, Mercury, 10", Gloss Blk	A/R
5	47561640001	Wheel, Mercury, 14", Gloss Blk	A/R
6	47561641001	Wheel, Atlas, 10", Gloss Blk	A/R
7	47561643001	Wheel, Atlas, 14", Gloss Blk	A/R
8	47562949001	Cap, Center, Chrome	A/R
9	N/A	Kit, Lugnut, Csmr, Lifted (includes item 10)	A/R
10	47562951001	Nut, Lug, 17x1/2-20, Chrome	16
<p>Note: For additional wheel options that may be available, please contact your local Club Car dealer or distributor.</p>			

2

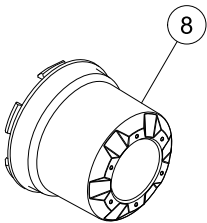
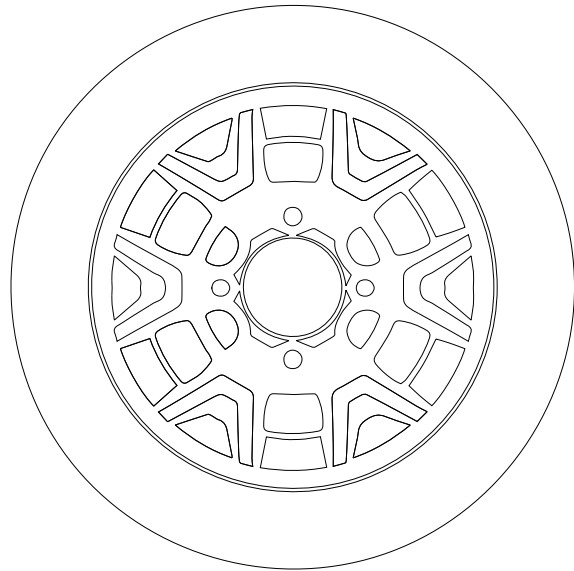
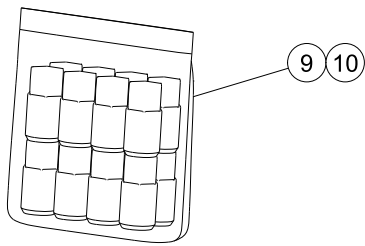
G

E

2
G
E



FOR DRIVER AND PASSENGER SIDE (6)



FOR DRIVER AND PASSENGER SIDE (7)

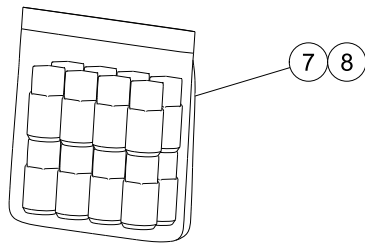
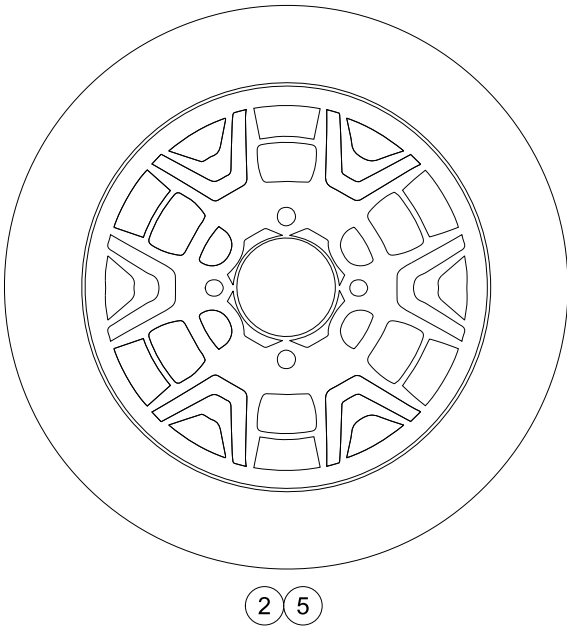
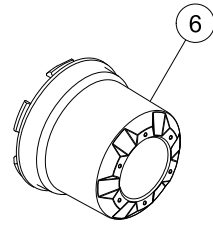
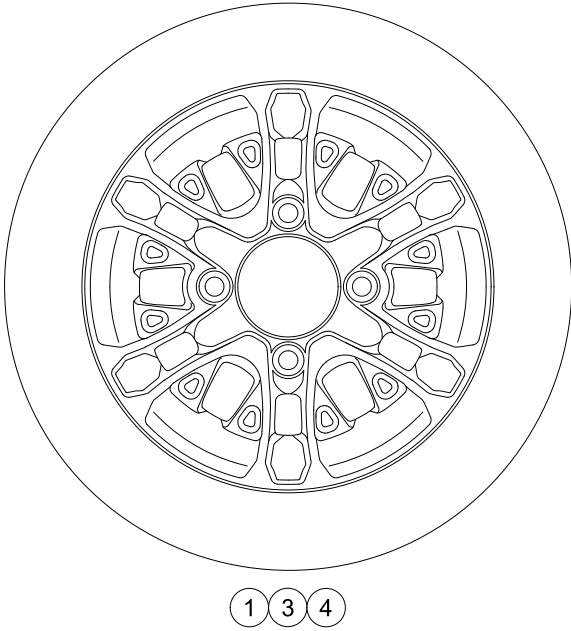
G-090099-000002

WHEEL AND TIRE ASSEMBLIES – ONWARD, STANDARD HEIGHT

ITEM	PART NO.	DESCRIPTION	QTY
		1 2 3 4	
1	102540701	Lug Nut, 1/2" Closed End	16
2	103935001	Tire and Wheel, 10", 8 Spoke, Alum. (includes items 3 through 5)	4
3	102556701	Tire, Pro Tour, 205-50 X 10	1
4	103832401	Valve Stem With Cap, Chrome	1
5	103934901	Wheel, Aluminum 10x6, 8 Spoke	1
6	47561646004	Asm, 205/55-10, Ls, Mer,gb,cc	4
7	47561647004	Asm, 205/55-10, Ls, Atl,gb,cc	4
8	47562949001	Cap, Center, Chrome	4
9	N/A	Kit, Lugnut, Csmr, Lifted (includes item 10)	1
10	47562951001	Nut, Lug, 17x1/2-20, Chrome	16
<p>Note: For additional wheel and tire options that may be available, please contact your local Club Car dealer or distributor.</p>			

2
G
E

2
G
E



G-090099-000003

WHEEL AND TIRE ASSEMBLIES – ONWARD, LIFTED

ITEM	PART NO.	DESCRIPTION	QTY
		1 2 3 4	
1	47561644004	Asm, 22x10-10 Krkn, Mer,gb,cc	4
2	47561645004	Asm, 22x10-10 Krkn, Atl,gb,cc	4
3	47562947002	Asm, 23x10-14 Kraken, Mercury 14" Matte Black	4
4	47562947004	Asm, 23x10-14 Krkn, Mer,gb,cc	4
5	47562948004	Asm, 23x10-14 Krkn, Atl,gb,cc	4
6	47562949001	Cap, Center, Chrome	4
7	N/A	Kit, Lugnut, Csmr, Lifted (includes item 8)	1
8	47562951001	Nut, Lug, 17x1/2-20, Chrome	16
<p>Note: For additional wheel and tire options that may be available, please contact your local Club Car dealer or distributor.</p>			

2
G
E

2

G

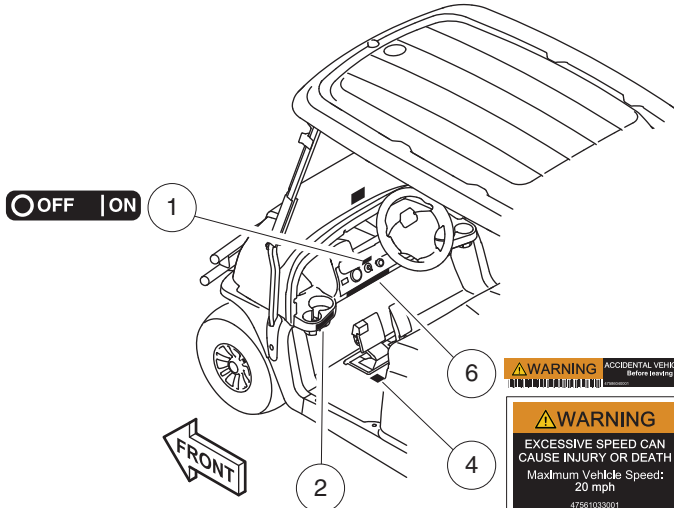
E

DECALS

3

G

E



IMPORTANT NOTICE

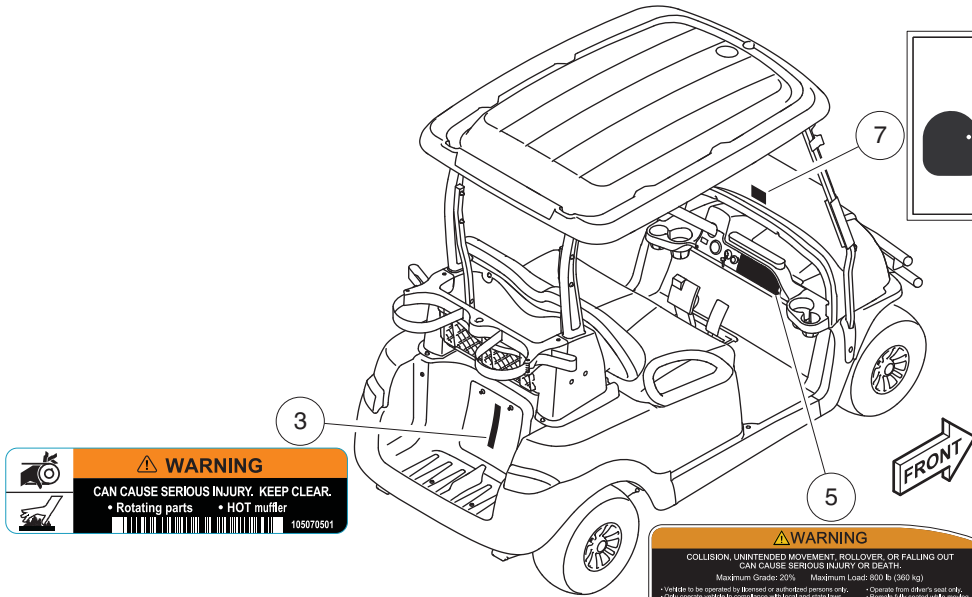
This vehicle does not conform to ANSI Z130.1 - "Standard for Golf Cars - Safety and Performance Requirements" because it is capable of speeds in excess of 15 miles per hour. Exercise caution.

CC1 102555901

WARNING ACCIDENTAL VEHICLE MOVEMENT HAZARD. MAY CAUSE SERIOUS INJURY OR DEATH. Before leaving the vehicle: Engage the park brake. Set the Hill Vehicle to NEUTRAL. Turn the key to OFF and remove the key.

WARNING EXCESSIVE SPEED CAN CAUSE INJURY OR DEATH. Maximum Vehicle Speed: 20 mph

47592393001



WARNING CAN CAUSE SERIOUS INJURY. KEEP CLEAR.

- Rotating parts
- HOT muffler

105070501

WARNING Windshield does not provide protection from golf balls or other flying objects.

47592393001

WARNING COLLISION, UNINTENDED MOVEMENT, ROLLOVER, OR FALLING OUT CAN CAUSE SERIOUS INJURY OR DEATH.

Maximum Grade: 20% Maximum Load: 600 lbs (300 kg)

- Vehicle to be operated by licensed or authorized personnel only.
- Only operate vehicle in compliance with local and state laws.
- Use Caution when operating vehicle in the presence of lighter colored vehicles in congested areas, or on unpaved surfaces.
- Do not operate the vehicle in the presence of children.
- Do not use the vehicle on all-terrain areas. Use caution.
- Two (2) persons per bench seat maximum.
- Operate from driver's seat only.
- Remain fully seated until the vehicle has stopped.
- Do not have children, passengers or any items.
- Drive slowly in turns and at slow down intervals.
- Hold on and keep your feet firmly on the floor.
- Never operate vehicle under the influence of alcohol or drugs or when distracted.

47592393001

001347-001

DECALS – ELECTRIC AND GASOLINE VEHICLES

ITEM	PART NO.	DESCRIPTION	QTY
		1 2 3 4	
1	101825101	Decal, Off/On	1
2	102555901	Decal, Private Speed	1
3	105070501	Decal, Gas, Rotating Parts/Hot Muffler	1
4	47561033001	Decal, Warning, Speed	1
5	47574958001	Decal, Warning	1
6	47586040001	Decal, Warn	1
7	47592393001	Decal, Warn, Windshield	1

3
G
E


WARNING

BATTERY EXPLOSION COULD RESULT IN SEVERE PERSONAL INJURY

- Place Run/Tow switch in TOW position before performing any of the following:
 - Disconnecting or connecting battery cables
 - Towing this vehicle
 - Extended storage
 - Servicing the vehicle
- Do not store items in battery compartment.
- Keep electronic components dry.
- Do not operate vehicle without this plate properly installed.
- See vehicle service manual before servicing.

RUN

TOW



CCI 103384801

WARNING

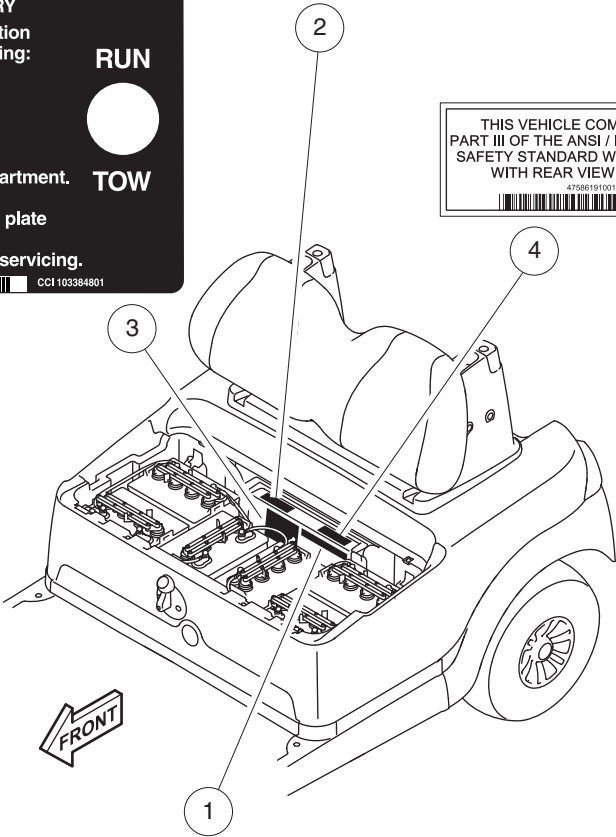
SHORTING OF BATTERY TERMINALS CAN CAUSE PERSONAL INJURY OR DEATH.

- When removing component mounting plate, do not place plate directly on top of batteries.

103384701

THIS VEHICLE COMPLIES WITH PART III OF THE ANSI / ILTVA Z135 - PTV SAFETY STANDARD WHEN EQUIPPED WITH REAR VIEW MIRRORS.

42586191001



CAUTION EXPOSURE TO WATER MAY DAMAGE ELECTRONIC COMPONENTS

- Do not direct water stream in the area of this plate.
- See vehicle service manual before servicing.

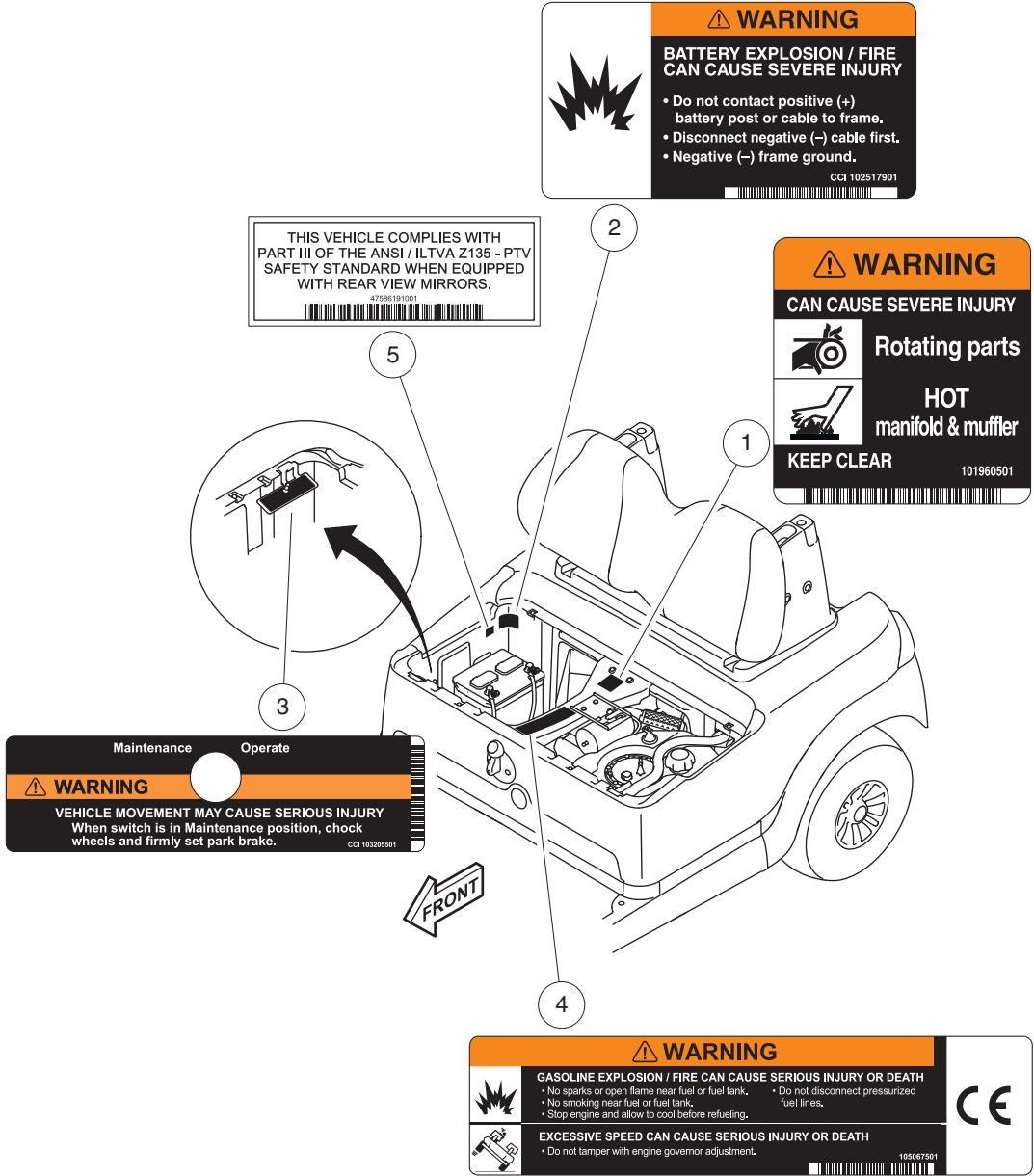
CCI 103384601

001356-001

DECALS – ELECTRIC VEHICLE ONLY

ITEM	PART NO.	DESCRIPTION	QTY
		1 2 3 4	
1	103384601	Decal-water Exposure	1
2	103384701	Decal-warning, Short	1
3	103384801	Decal, Warning, RUN/TOW	1
4	47586191001	Decal, Compliance, Mirrors	1

3
G
E



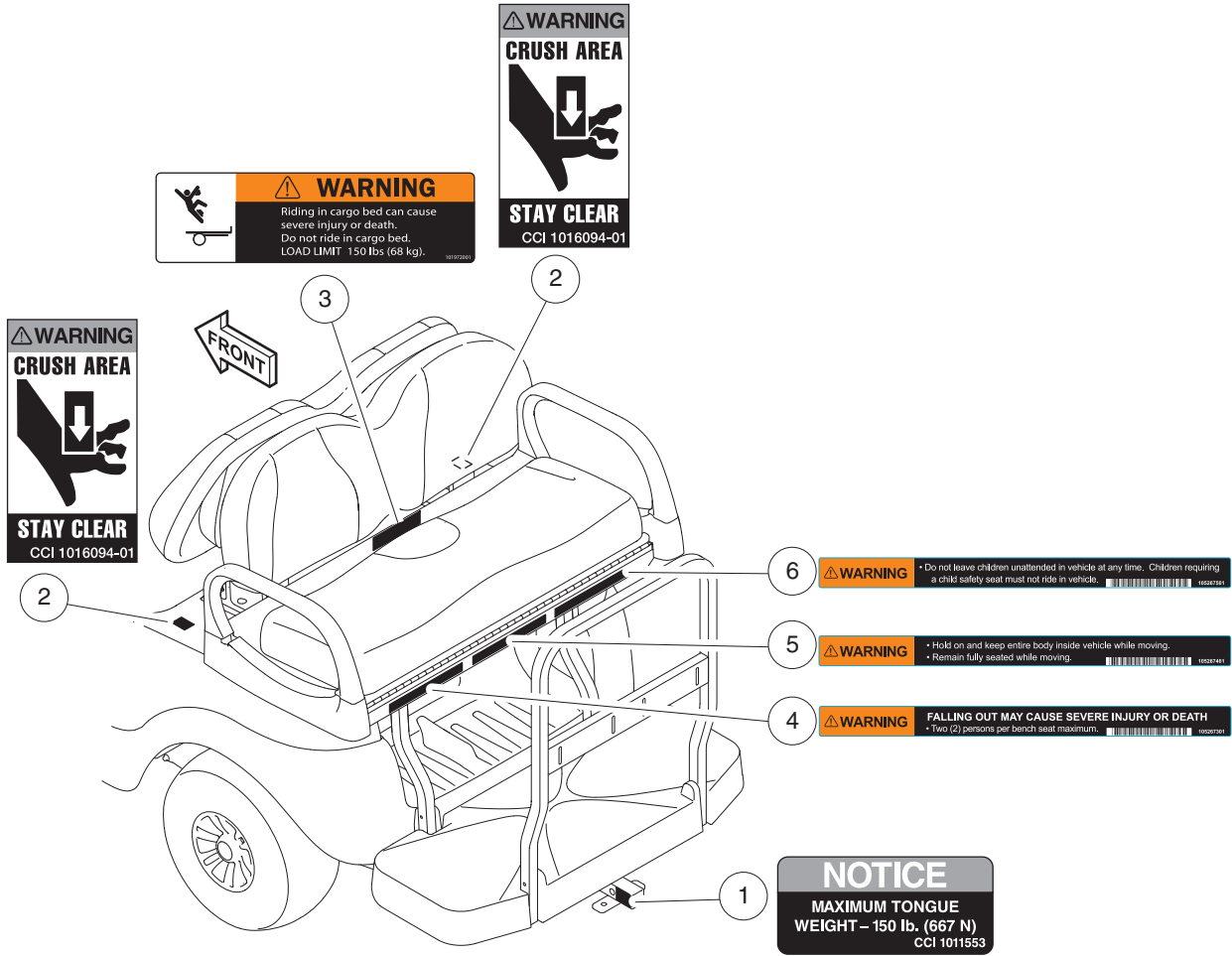
001385-001

DECALS – GASOLINE VEHICLE ONLY

ITEM	PART NO.	DESCRIPTION	QTY
		1 2 3 4	
1	101960501	Decal, Rotating Parts/Hot Manifold	2
2	102517901	Decal, Warning - Frame Ground	1
3	103205501	Decal, Maintenance/Operate Switch	1
4	105067501	Decal, Warn - Gas/gov	1
5	47586191001	Decal, Compliance, Mirrors	1

3
G
E

3
G
E



001386-001

DECALS – 4-PASSENGER VEHICLE ONLY

ITEM	PART NO.	DESCRIPTION	QTY
		1 2 3 4	
1	1011553	Decal, Trailer Hitch	1
2	101609401	Decal, Crush Area Warning	2
3	101972001	Decal, D.s. Box Bed Warning (for vehicles with bed box option)	1
4	105267301	Decal, Warn, Fld L	1
5	105267401	Decal, Warn, Fld M	1
6	105267501	Decal, Warn, Fld R	1

3
G
E

3

G

E

Club Car

1

ONWARD

2

001435-001

DECALS – BADGING

ITEM	PART NO.	DESCRIPTION	QTY
		1 2 3 4	
1	102883602	Decal, Nameplate, Csmr	1
2	47594888001	Decal, Branding, Onward	2

3

G

E

3

G

E

LIGHTS, CONTROLS AND INDICATORS

4

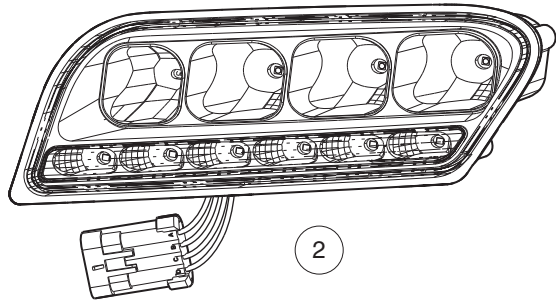
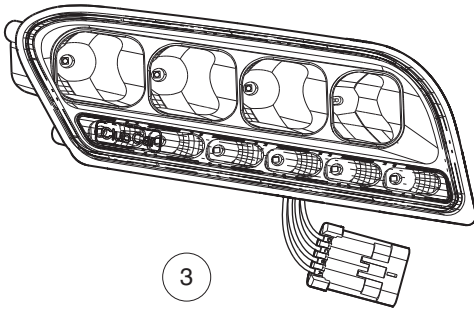
G

E

4
G
E



1



001341-001

HEADLIGHTS – ONWARD

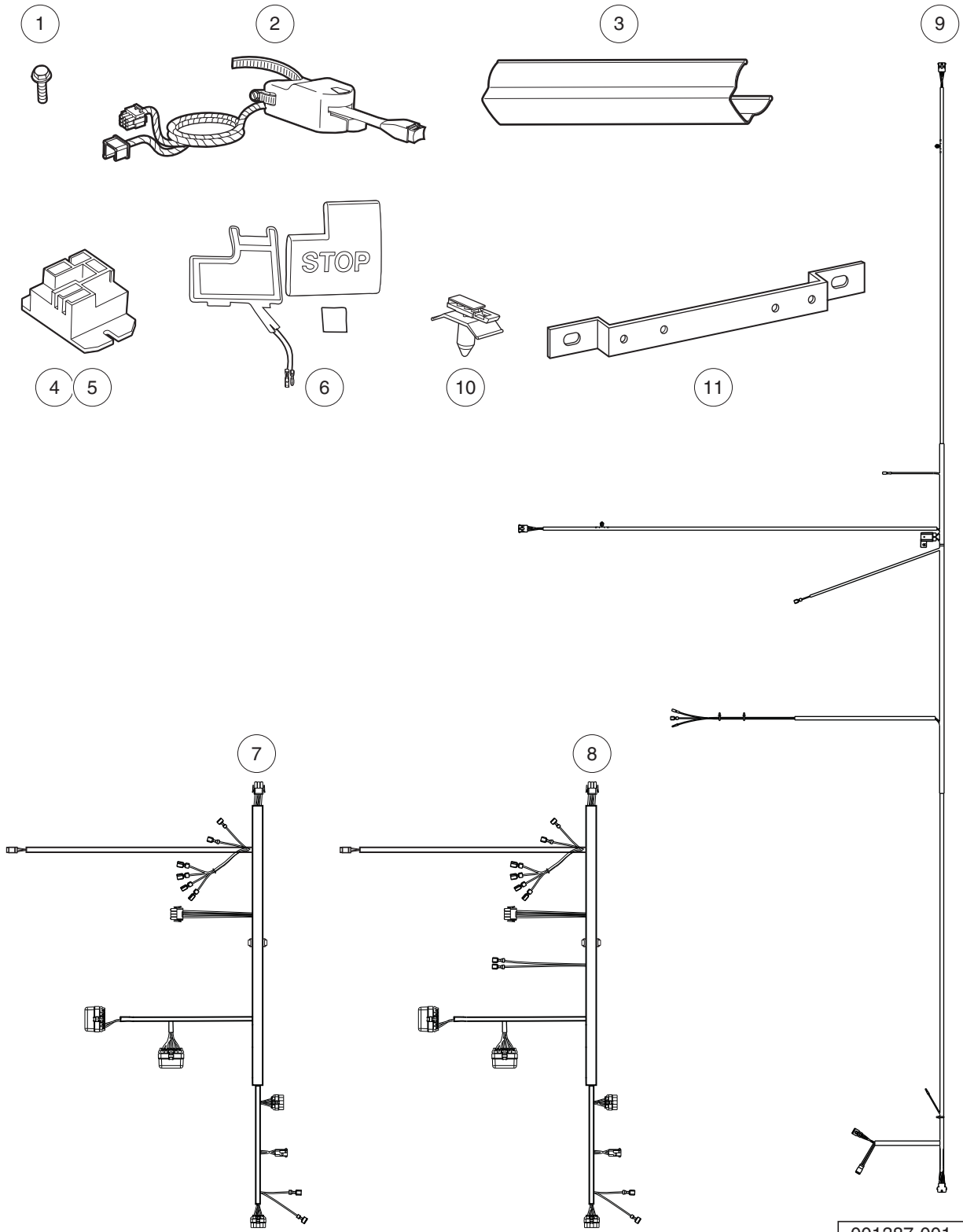
ITEM	PART NO.	DESCRIPTION	QTY
		1 2 3 4	
1	102296020	Screw-torx Pan Head Pt, M6x20	8
2	47565234003	Headlight, LED, Driver-side, Service Replacement	1
3	47565234004	Headlight, LED, Passenger-side, Service Replacement	1

4

G

E

4
G
E



001387-001

LIGHTING SYSTEM COMPONENTS

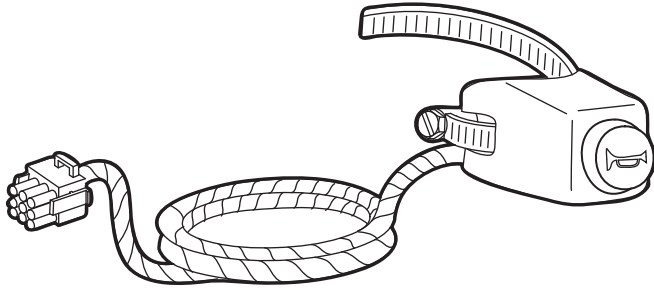
ITEM	PART NO.	DESCRIPTION	QTY
		1 2 3 4	
1	102298720	Screw, M8-1.25x20, Taptite	3
2	102517501	Turn Signal Asm	1
3	102529201	Wire Cover, Steering Column	1
4	103414901	Kit, Relay, 48v 30a W/instr (includes item 5)	1
5	103397901	Relay, Spst No, 48v 30a, Pmt	1
6	103597101	Kit, Brake Light Switch	1
7	47562746001	Harness, Wire, Instrument Panel for Lights, Ele	1
8	47562747001	Harness, Wire, Instrument Panel for Lights, Gas	1
9	47574837001	Harness, Lighting	1
10	N/A	Clip, Mount, Conn	2
11	47580172001	Bracket, Mount, Fuse	1

4
G
E

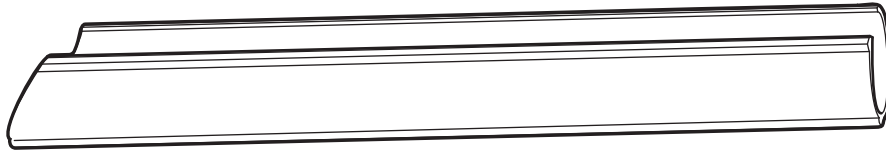
4

G

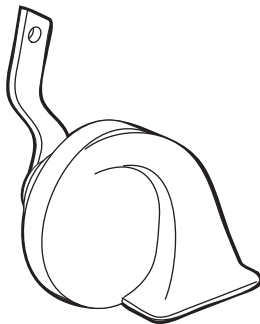
E



1



2



3

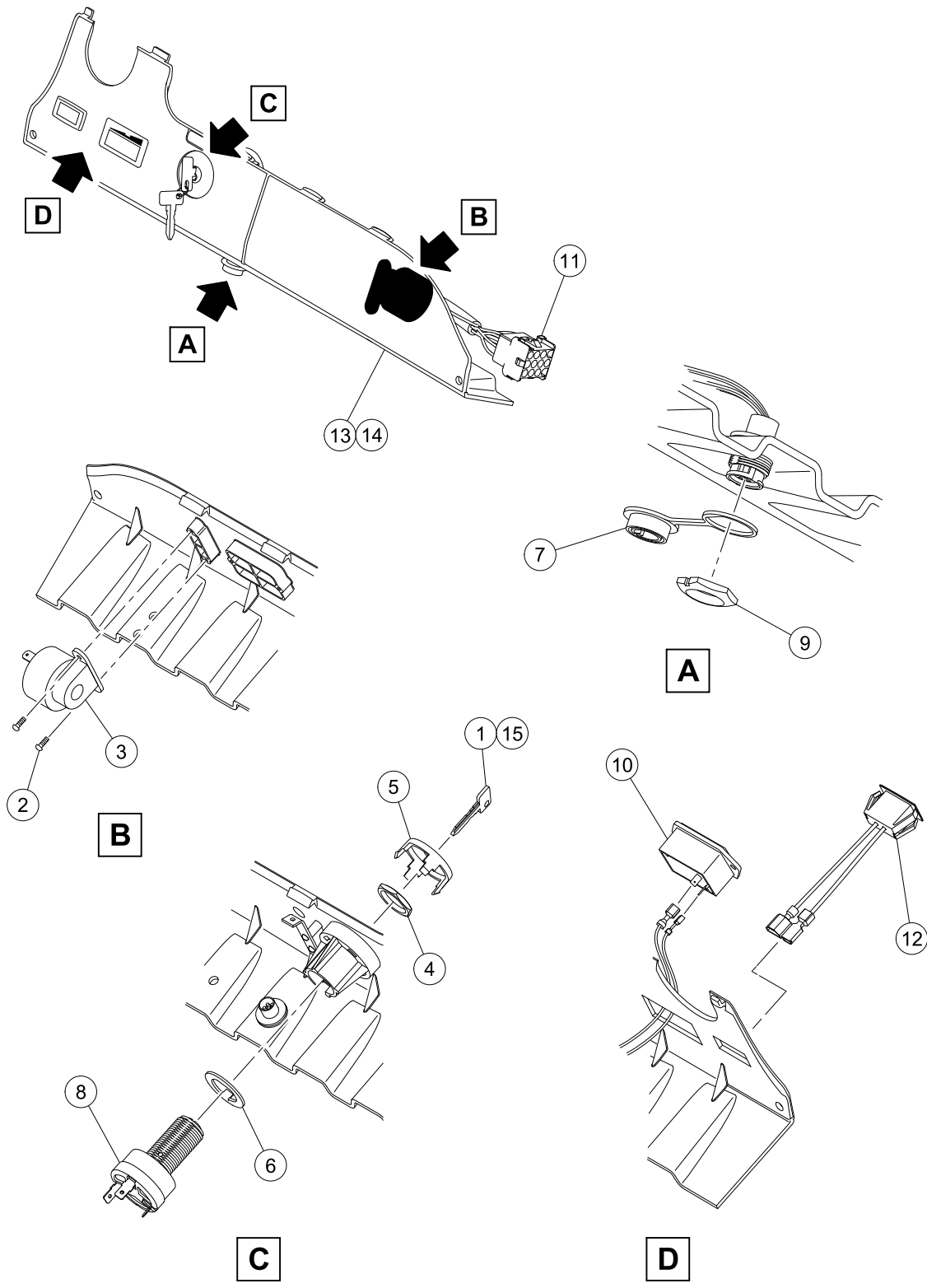
001343-001

HORN

ITEM	PART NO.	DESCRIPTION	QTY
1	102517601	1 2 3 4 Subasm, Horn Button Harness	1
2	102529201	Wire Cover, Steering Column	1
3	102535401	Horn	1

4
G
E

4
G
E



G-130599-000005

INSTRUMENT PANEL – ELECTRIC VEHICLE WITH ERIC CHARGER

ITEM	PART NO.	DESCRIPTION	QTY
		1 2 3 4	
1	1012505	Keys (set of 2)	1
2	1016849	Screw, #4-24 X 0.33, Pan-Head, Machine	2
3	1016851	Multi-Purpose Buzzer (9-48 VDC)	1
4	101830701	Nut, Key Switch	1
5	101834502	Cap, Black Key Switch	1
6	101851101	Washer, Key Switch	1
7	102196901	Dust Cap	1
8	102508601	Key Switch, Electric	1
9	102572401	Nut, Diagnostic Port	1
10	103200701	Battery Condition Indicator - 48V	1
11	103991501	Harness, Wire, Instrument Panel, w/Hi-Freq	1
12	105152301	Indicator, Charger, Dash, Cap	1
13	47613414003	Instrument Panel (Punched Headlight)	1
14	47613414009	Instrument Panel (Headlight Switch and Battery Condition Indicator)	1
15	AM10079	Bulk Std Keys (50) *	1
		* Note: Must order in multiples of 50.	

4
G
E

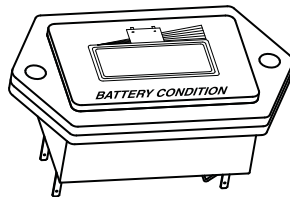
4

G

E



1



2

001388-001

BATTERY CHARGE INDICATOR

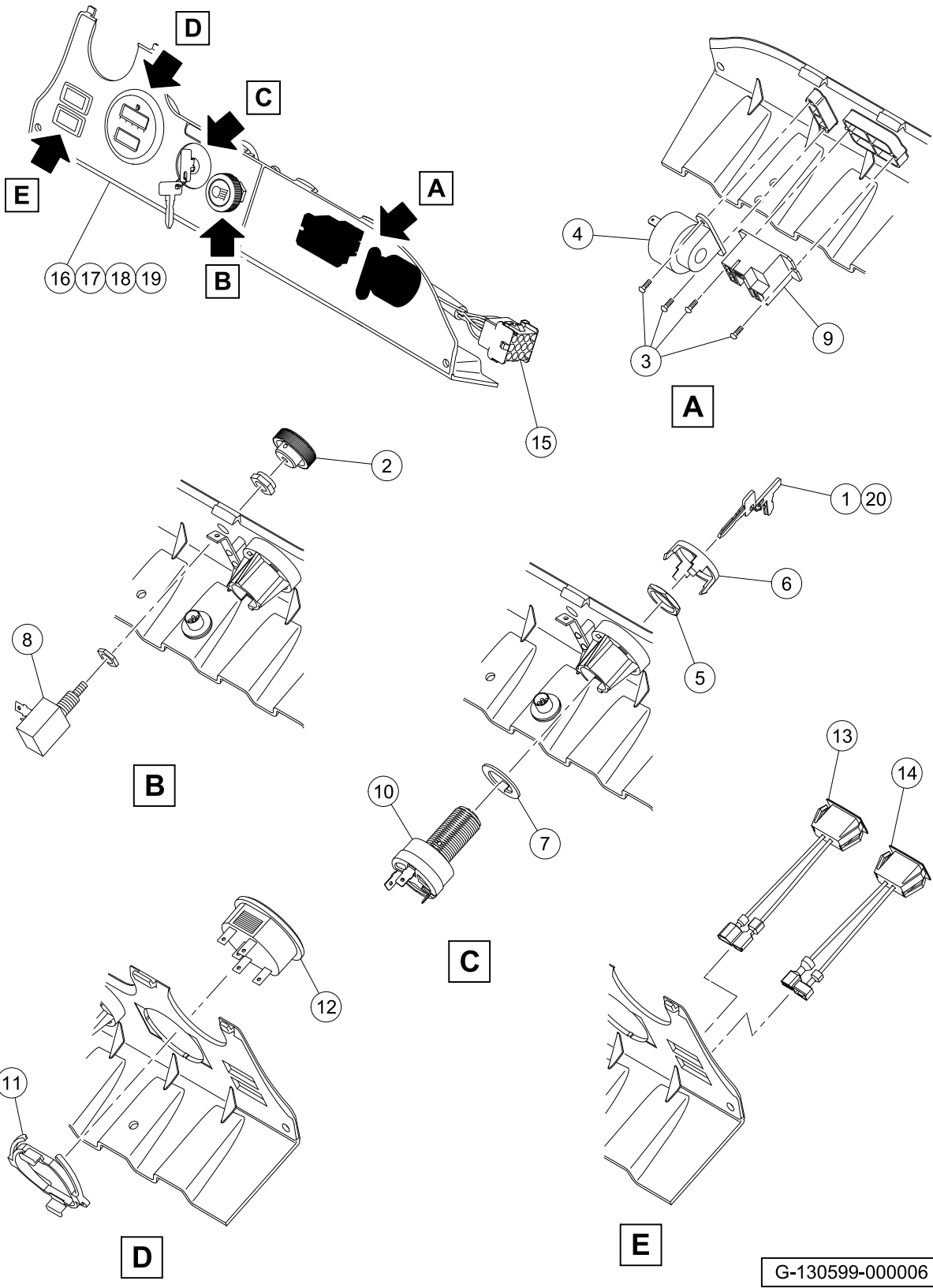
ITEM	PART NO.	DESCRIPTION	QTY
1	101814701	Retainer, Push-On	2
2	103200701	Battery Condition Indicator - 48V	1

4

G

E

4
G
E

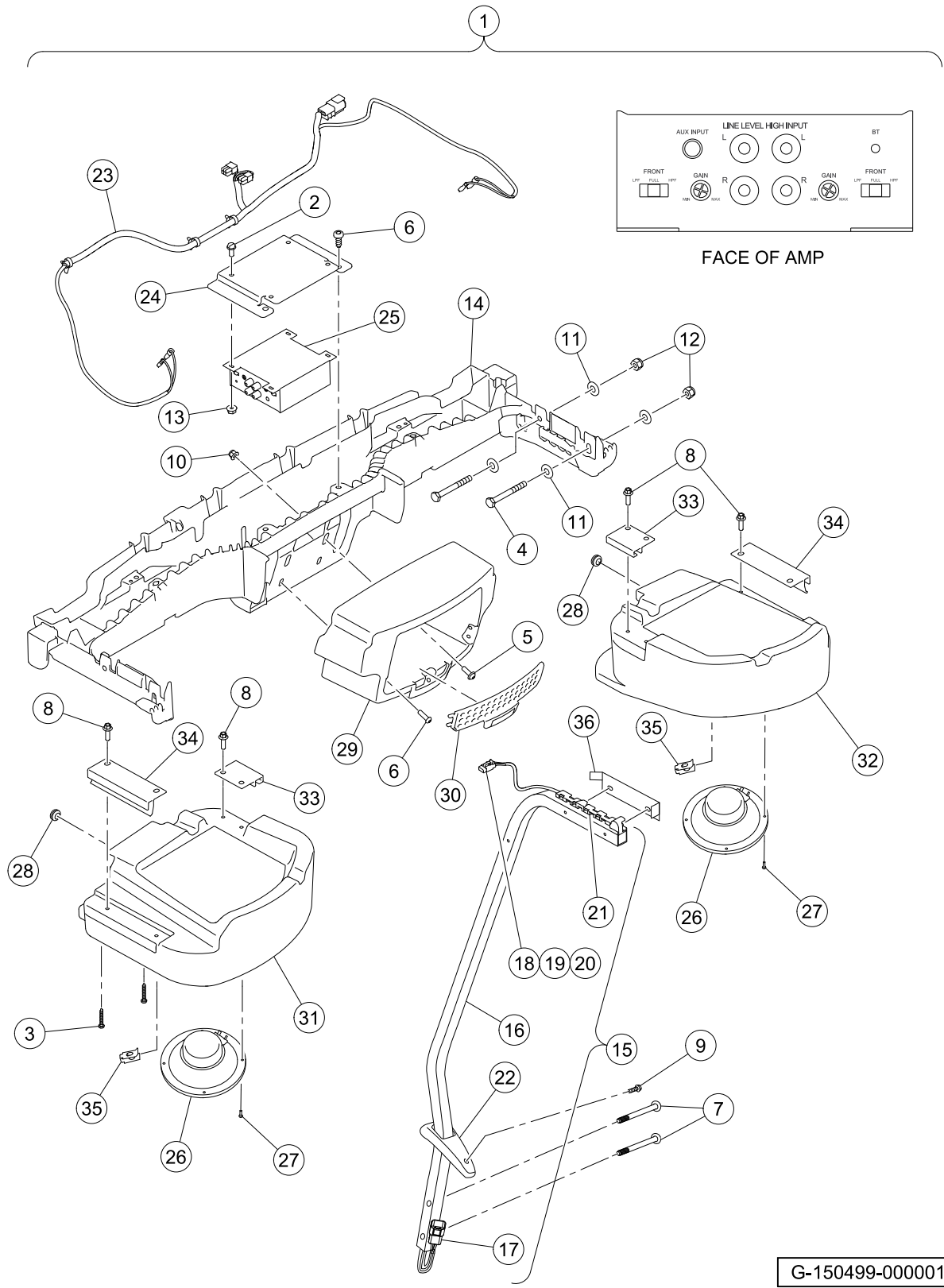


G-130599-000006

INSTRUMENT PANEL – ECH440 GAS VEHICLE

ITEM	PART NO.	DESCRIPTION	QTY
		1 2 3 4	
1	1012505	Keys (set of 2)	1
2	1013857	Knob, Light Switch	1
3	1016849	Screw, #4-24 X 0.33, Pan-Head, Machine	4
4	1016851	Multi-Purpose Buzzer (9-48 VDC)	1
5	101830701	Nut, Key Switch	1
6	101834502	Cap, Black Key Switch	1
7	101851101	Washer, Key Switch	1
8	102051901	Switch, Light	1
9	102199001	Relay, 12-Volt	1
10	102515101	Key Switch, Gas	1
11	103348201	Clip, Meter, Round	1
12	103348602	Gauge, Fuel-hour,sep Gnd, Ds	1
13	105037101	Light, Oil (LED)	1
14	47598441001	Light, Dash, Led, Mil	1
15	47612537001	Harness, Ip, Gas, Prec, Com	1
16	47613414002	Panel, Punched, Mil Light	1
17	47613414005	Panel, Punched, Mil Hdlt	1
18	47613414006	Panel, Punched, Mil Fuel	1
19	47613414007	Panel, Punched, Mil Hdlt Fuel	1
20	AM10079	Bulk Std Keys (50) *	1
		* Note: Must order in multiples of 50.	

4
G
E



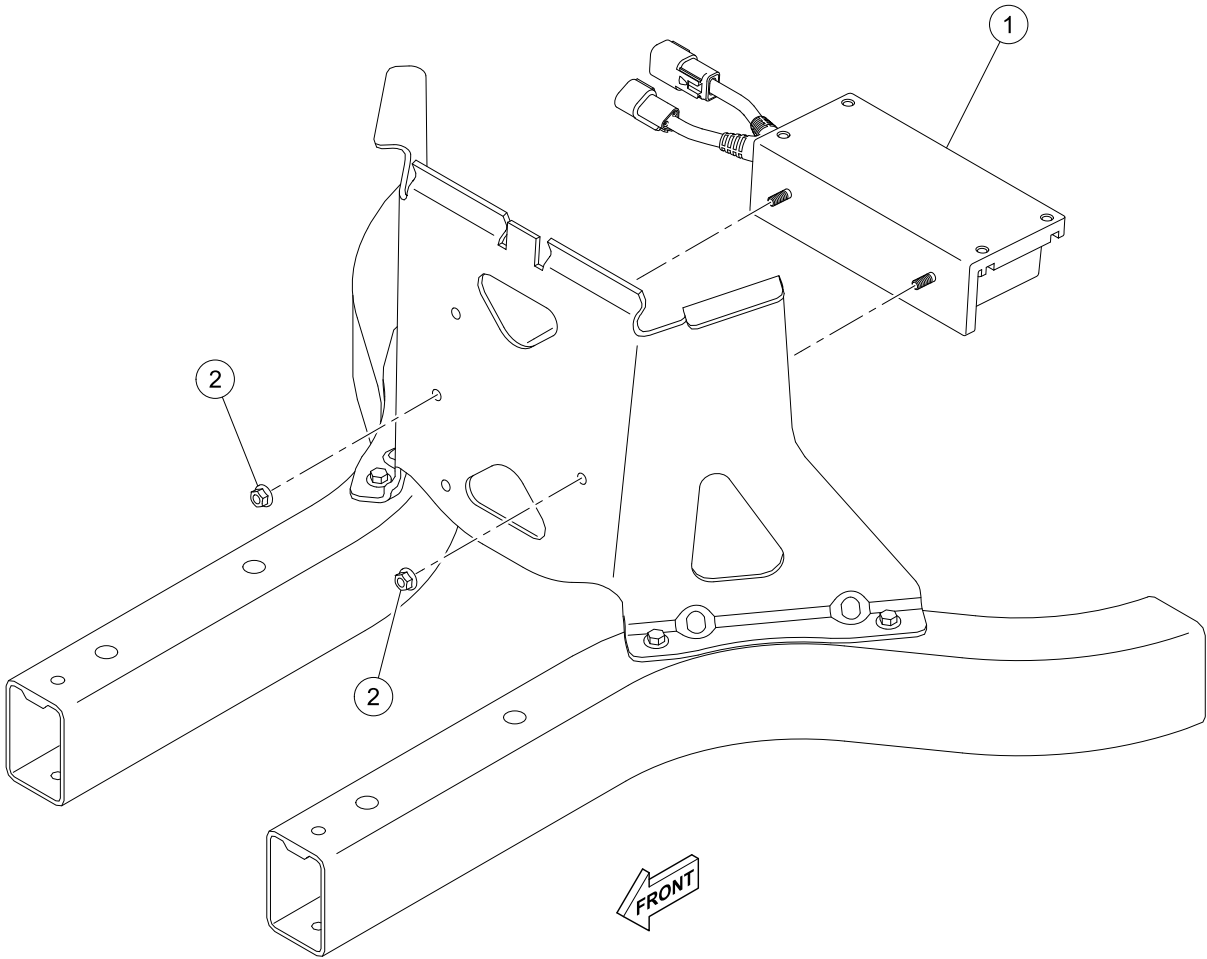
G-150499-000001

BLUETOOTH SOUND SYSTEM

ITEM	PART NO.	DESCRIPTION	QTY
		1 2 3 4	
1	47581430001	Kit, Bt Sound System (includes items 2 through 36)	1
2	1011017	Screw, #8-32 X 0.375	4
3	102296040	Screw, Torx Pan Hd Pt, M6 X 40	4
4	102296150	Bolt - M6x1.0x50 Hex Flng Hd	4
5	102296920	Screw, M6, Torx Button Head, Sems	2
6	102298020	Screw, K80x20, Torx Pn Hd Pt	4
7	102299065	M8-1.25 X 65 Tx Bttm Hd Bolt	2
8	102541401	Bolt-m6x1.0x20 Hex Flhd Blk-l	8
9	102544201	Screw, M6 Hex	1
10	102621501	Nut, Flange, M6 X 1.0, Nylon	2
11	103196001	Washer, Conical Spring, Canopy	8
12	103200301	Nut, M6 x 1.00	4
13	105190701	Nut, Flanged, #8-32, Serrated	4
14	47559265002	Support, Display Unit, Bt	1
15	47561477002	Asm, Strut, Visage,onward, R.h (includes items 16 through 22)	1
16	103750001	Strut, Canopy Front, Passenger-side	1
17	N/A	Brkt, Tree-stud Mount, Dt/dtm	1
18	N/A	Conn, Plug, Dtm, 3 Pin, Blk	1
19	N/A	Lock, Wedge, Dtm, Plug	1
20	47554736001	Harness, Visage, Strut, G/e	1
21	47559268001	Retainer, Wire Harness	1
22	47631793002	Cover, Canopy Support, RH	1
23	47562748001	Harness, Sound Mil200bt, Csmr	1
24	47581126001	Bracket, Amp, Mil200bt	1
25	47581127001	Amp, Bluetooth, Mil200bt	1
26	47581128001	Speaker, 5.25", Blk	1
27	47581129001	Screw, 6-32 X 5/8 Torx Ph Blk	8
28	47581130001	Grommet, Sbr, .38 Id	2
29	47581131001	Storage Unit, Center, Csmr	1
30	47581132001	Closeout, Plastic, Perforated	1
31	47581133001	Enclosure, Speaker, Ds, 2p	1
32	47581133002	Enclosure, Speaker, Ps, 2p	1
33	47581134001	Extrusion, Alum, Spkr Outer	2
34	47581135001	Extrusion, Alum, Spkr Inner	2
35	47584406001	U-nut, 6-32	8
36	47589609001	Cover, Strut, Bt Sound	1

4
G
E

4
G
E



G-130299-000001

DC CONVERTER – ELECTRIC VEHICLE

ITEM	PART NO.	DESCRIPTION	QTY
1	47594727001	1 2 3 4 Converter, Dc/dc	1
2	96704176	Nut, Flanged, M6 X 1, Serrated	2

4

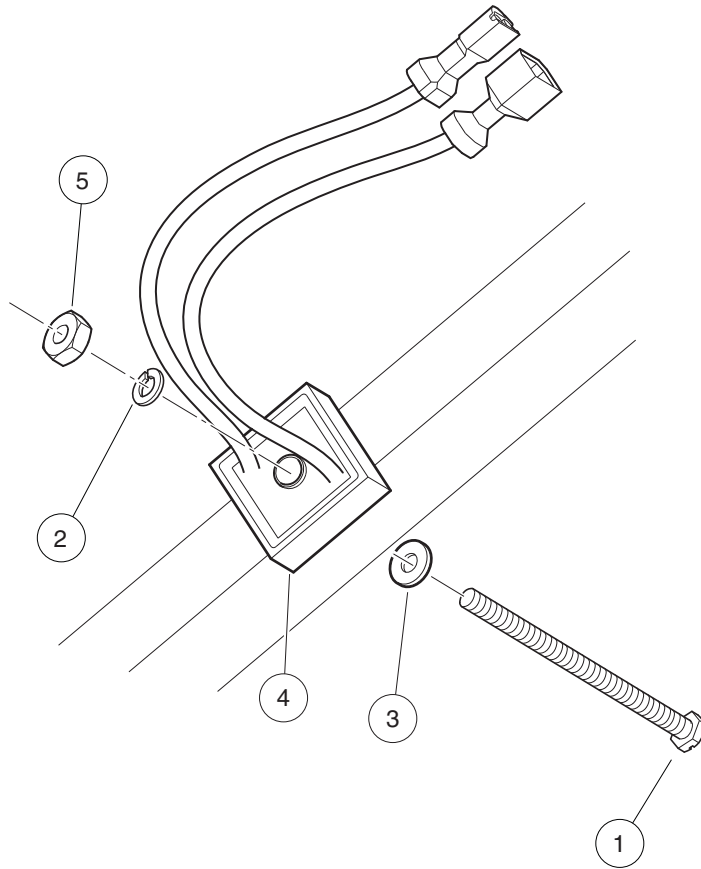
G

E

4

G

E



001365-002

VOLTAGE LIMITER – GASOLINE VEHICLE

ITEM	PART NO.	DESCRIPTION	QTY
		1 2 3 4	
1	1010909	Screw, #10-32 X 1.25 Rd Hd Mch	1
2	1016	Lockwasher, #10 Split	1
3	183	Washer, #10, Type A, Flat	1
4	47604303001	Voltage Limiter, Gas	1
5	7893	Nut, #10-32 Hex	1

4

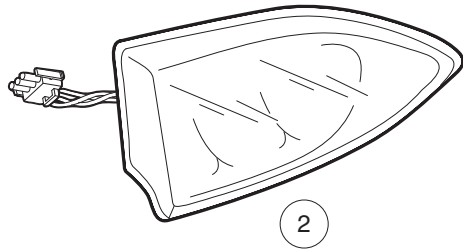
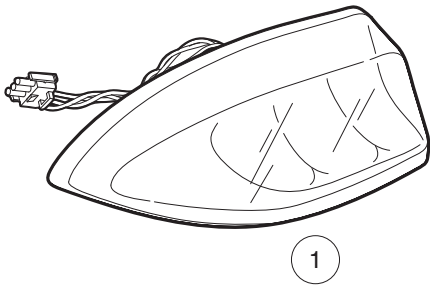
G

E

4

G

E



001340-001

TAILLIGHTS

ITEM	PART NO.	DESCRIPTION	QTY
1	47643352001	1 2 3 4 Assembly, Taillight, LH	1
2	47643352002	Assembly, Taillight, RH	1

4
G
E

4

G

E

BRAKES AND PEDAL GROUP ASSEMBLIES

5

G

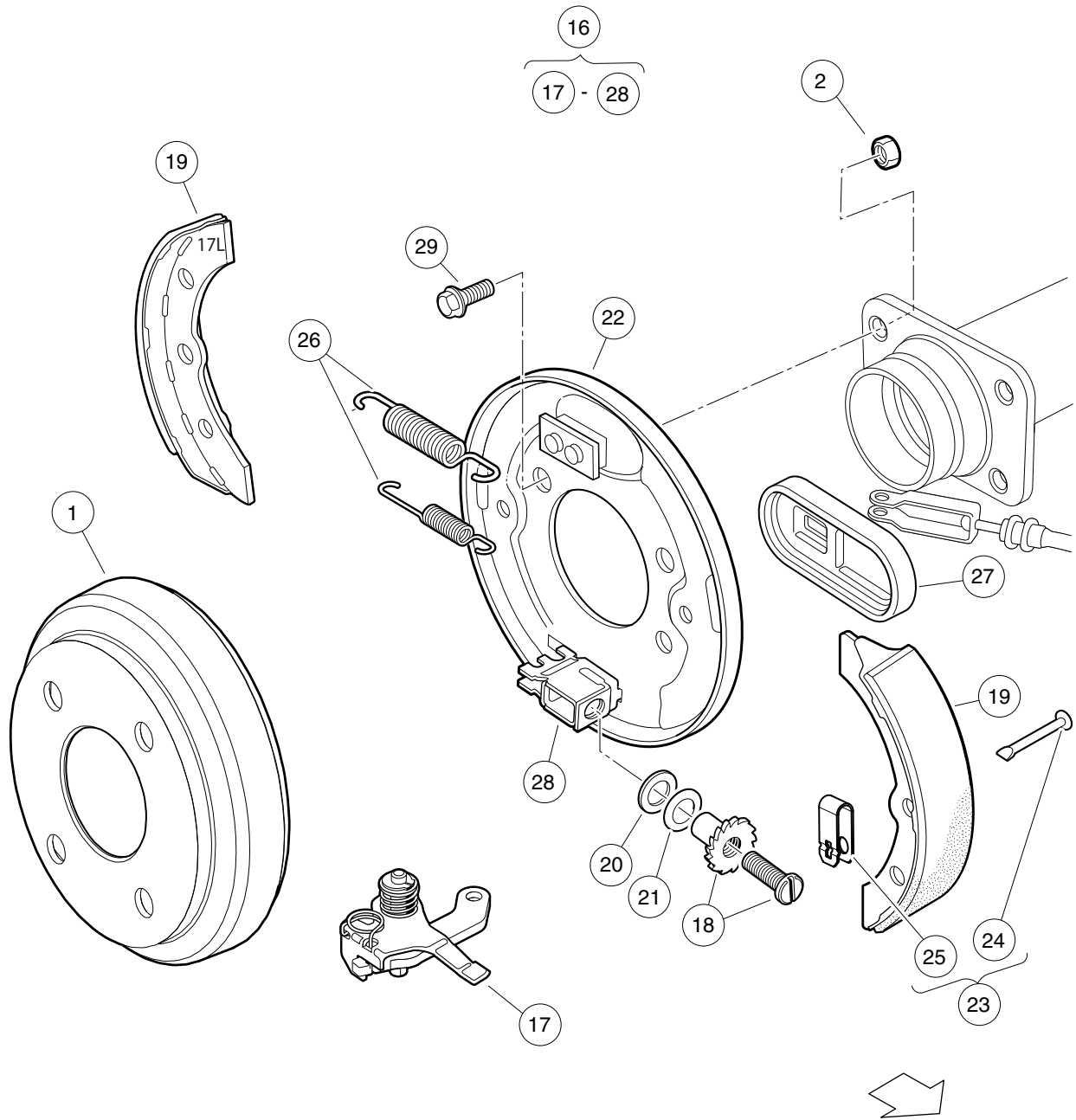
E

REAR BRAKES, SELF-ADJUSTING

ITEM	PART NO.	DESCRIPTION	QTY
		1 2 3 4	
1	1013924	Nut, 5/16-24, Hex Head Cone	8
2	101791101	Drum without Center Hole, Brake	2
3	103380201	Asm, Brake Cluster, Mech, Drvr (includes items 4 through 15)	1
4	101815502	Lever Assembly, Self-Adjusting Brake, Left	1
5	101816502	Adjusting Mechanism, Self-Adjusting Brake, Left	1
6	101823201	Package, Brake Shoe, Self-Adjusting	1
7	101823801	Plate, Washer, Brake, Self-Adjusting	1
8	101823901	Washer, Brake, Self-Adjusting	1
9	103483102	Backing Plate, Driver-side	1
10	103483201	Kit, Shoe Retainer (includes items 11 and 12)	1
11	N/A	Pin	2
12	N/A	Spring, Shoe, Clamp	2
13	103483401	Package Brake Spring Self Adj	1
14	103483601	Cover, Dust	1
15	103483701	Brake Block	1
16	103380202	Asm, Brake Cluster, Mech, Pass (includes items 17 through 28)	1
17	101815501	Lever Assembly, Self-Adjusting Brake, Right (Passenger)	1
18	101816501	Adj Mechanism, S.A. Brakes, Right (Passenger)	1
19	101823201	Package, Brake Shoe, Self-Adjusting	1
20	101823801	Plate, Washer, Brake, Self-Adjusting	1
21	101823901	Washer, Brake, Self-Adjusting	1
22	103483101	Backing Plate, Passenger-side	1
23	103483201	Kit, Shoe Retainer (includes items 24 and 25)	1
24	N/A	Pin	2
25	N/A	Spring, Shoe, Clamp	2
26	103483401	Package Brake Spring Self Adj	1
27	103483601	Cover, Dust	1
28	103483701	Brake Block	1
29	47542195001	Bolt, Brake Cluster Mnt	8
		Note: Driver-side brake cluster not shown. Components have a similar appearance to passenger-side brake cluster components.	

5
G
E

5
G
E

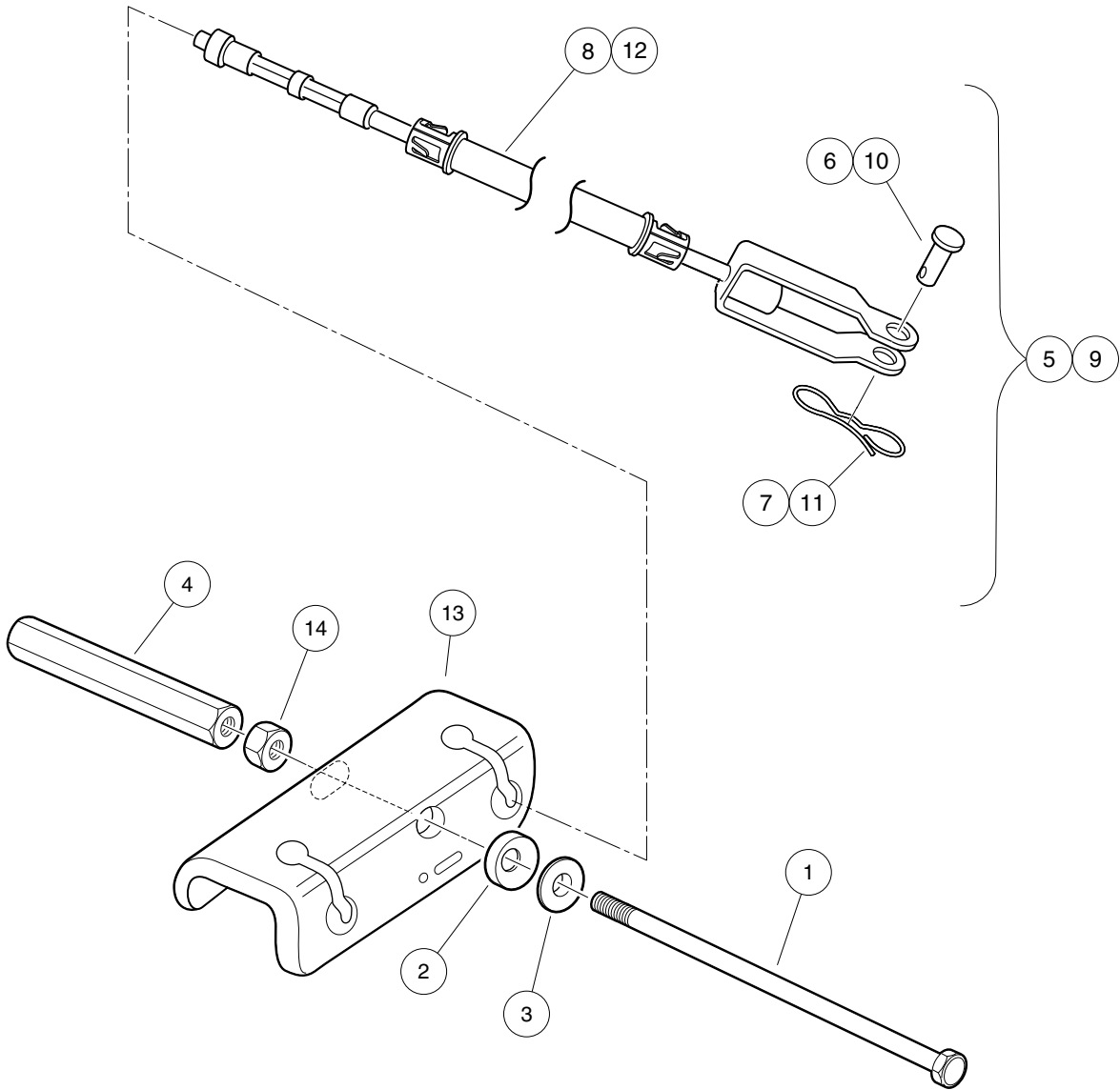


000186-007

REAR BRAKES, SELF-ADJUSTING – GASOLINE VEHICLES

ITEM	PART NO.	DESCRIPTION	QTY	
		1 2 3 4		5
1	1011137	Drum, Brake	2	G
2	1013924	Nut, 5/16-24, Hex Head Cone	8	E
3	103380201	Asm, Brake Cluster, Mech, Drvr (includes items 4 through 15)	1	
4	101815502	Lever Assembly, Self-Adjusting Brake, Left	1	
5	101816502	Adjusting Mechanism, Self-Adjusting Brake, Left	1	
6	101823201	Package, Brake Shoe, Self-Adjusting	1	
7	101823801	Plate, Washer, Brake, Self-Adjusting	1	
8	101823901	Washer, Brake, Self-Adjusting	1	
9	103483102	Backing Plate, Driver-side	1	
10	103483201	Kit, Shoe Retainer (includes items 11 and 12)	1	
11	N/A	Pin	2	
12	N/A	Spring, Shoe, Clamp	2	
13	103483401	Package Brake Spring Self Adj	1	
14	103483601	Cover, Dust	1	
15	103483701	Brake Block	1	
16	103380202	Asm, Brake Cluster, Mech, Pass (includes items 17 through 28)	1	
17	101815501	Lever Assembly, Self-Adjusting Brake, Right (Passenger)	1	
18	101816501	Adj Mechanism, S.A. Brakes, Right (Passenger)	1	
19	101823201	Package, Brake Shoe, Self-Adjusting	1	
20	101823801	Plate, Washer, Brake, Self-Adjusting	1	
21	101823901	Washer, Brake, Self-Adjusting	1	
22	103483101	Backing Plate, Passenger-side	1	
23	103483201	Kit, Shoe Retainer (includes items 24 and 25)	1	
24	N/A	Pin	2	
25	N/A	Spring, Shoe, Clamp	2	
26	103483401	Package Brake Spring Self Adj	1	
27	103483601	Cover, Dust	1	
28	103483701	Brake Block	1	
29	47542195001	Bolt, Brake Cluster Mnt	8	
		Note: Driver-side brake cluster not shown. Components have a similar appearance to passenger-side brake cluster components.		

5
G
E



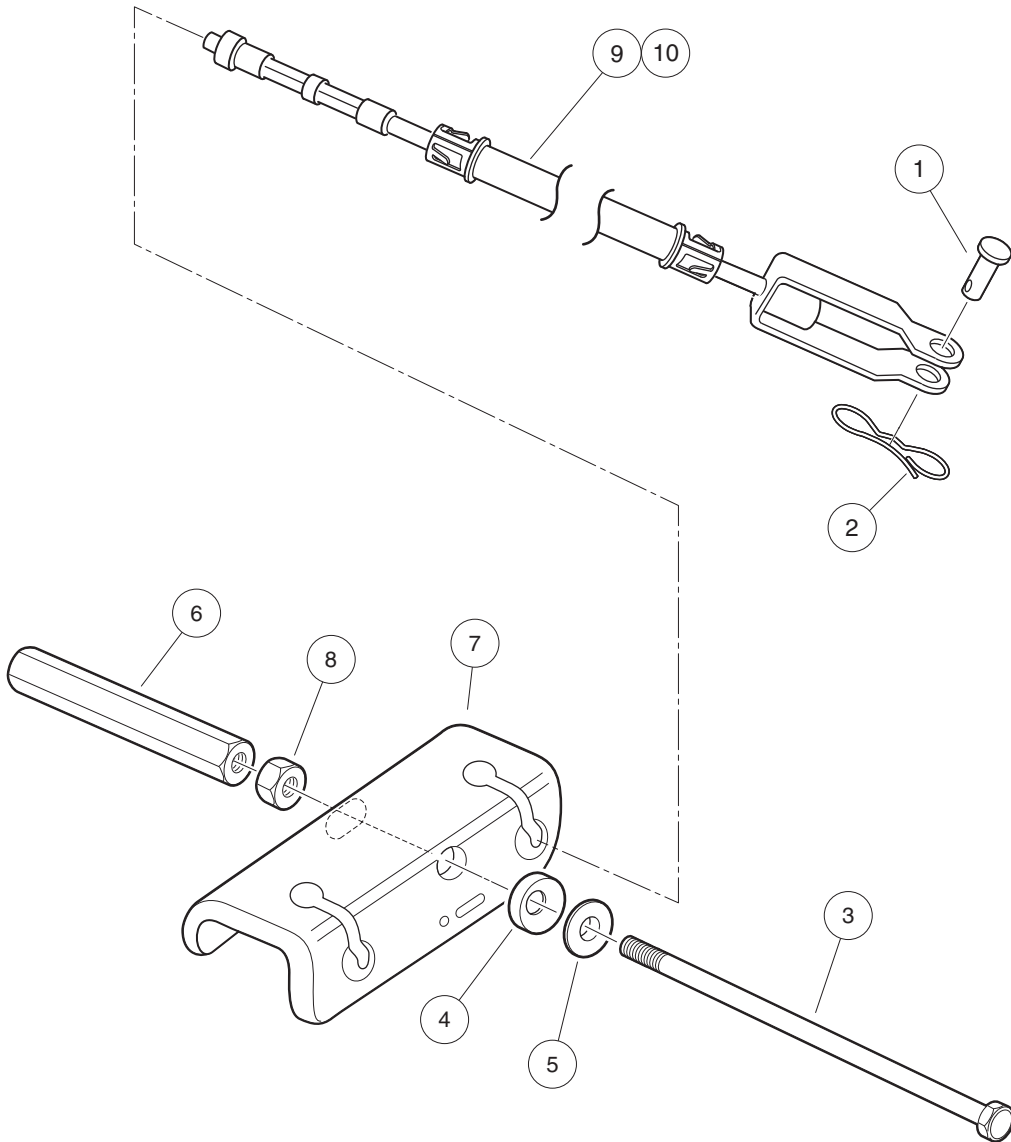
000467-006

BRAKE CABLES AND EQUALIZER BRACKET

ITEM	PART NO.	DESCRIPTION	QTY
		1 2 3 4	
1	102297901	Bolt, 5/16-18 X 7.375, Hex	1
2	102551901	Washer, 5/16, Self Comp, Cup	1
3	102552001	Washer, 5/16, Self Comp, Cone	1
4	102594301	Nut, 5/16-18, Hex Adjusting -I	1
5	103528701	Kit, Brake Cable, Passenger-side (includes items 6 through 8)	1
6	1010829	Pin, Clevis, 5/16 X 3/4	1
7	102292801	Pin, Bow Tie Locking - .072	1
8	N/A	Cable, Brake, Right	1
9	103528702	Kit, Brake Cable, Driver-side (includes items 10 through 12)	1
10	1010829	Pin, Clevis, 5/16 X 3/4	1
11	102292801	Pin, Bow Tie Locking - .072	1
12	N/A	Cable, Brake, Left	1
13	103535001	Bracket, Equalizer	1
14	1242	Nut, 5/16-18 Hex	1

5
G
E

5
G
E



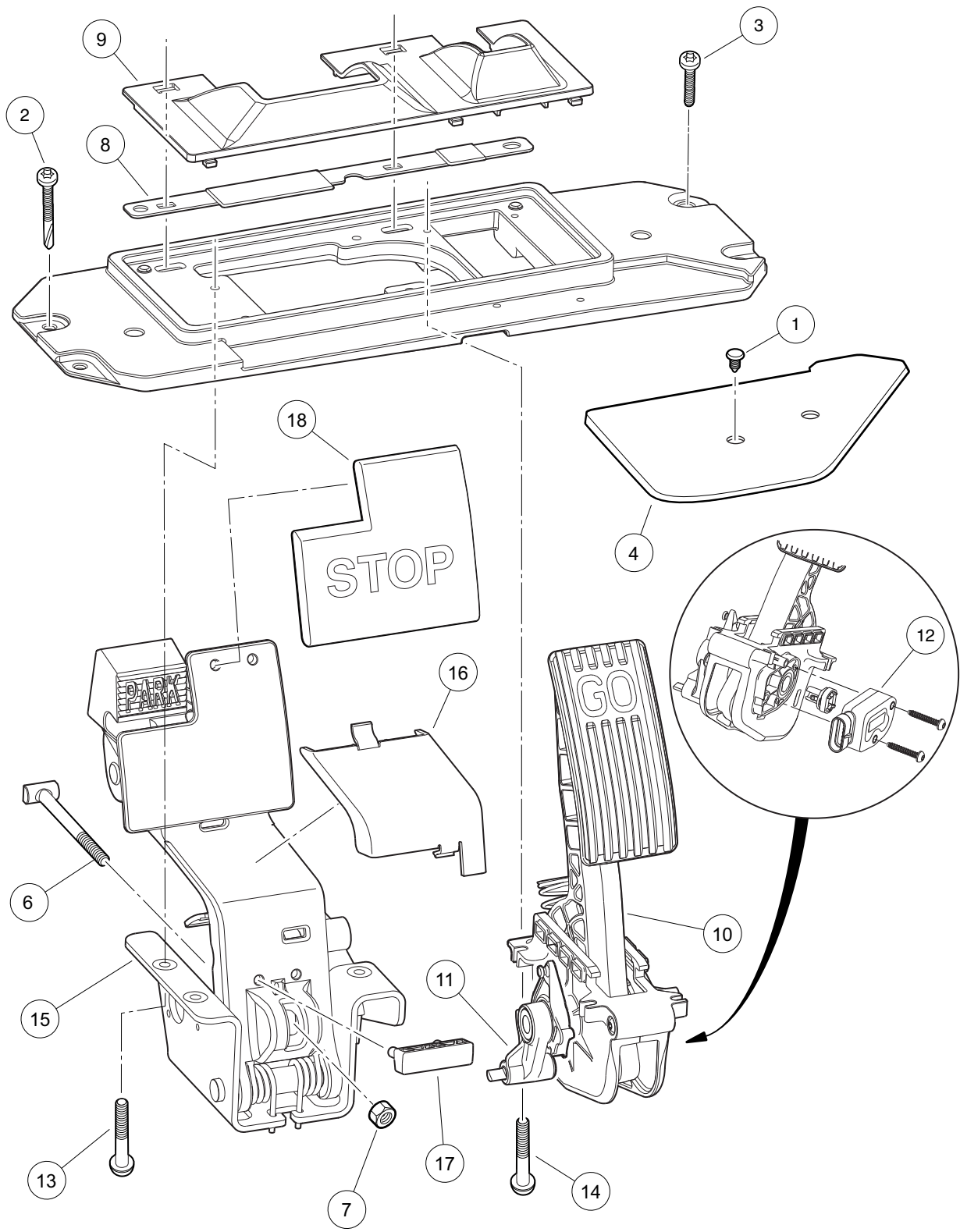
000467-007

BRAKE CABLES AND EQUALIZER BRACKET – LIFTED VEHICLE

ITEM	PART NO.	DESCRIPTION	QTY
		1 2 3 4	
1	1010829	Pin, Clevis, 5/16 X 3/4	2
2	102292801	Pin, Bow Tie Locking - .072	2
3	102297901	Bolt, 5/16-18 X 7.375, Hex	1
4	102551901	Washer, 5/16, Self Comp, Cup	1
5	102552001	Washer, 5/16, Self Comp, Cone	1
6	102594301	Nut, 5/16-18, Hex Adjusting -l	1
7	103535001	Bracket, Equalizer	1
8	1242	Nut, 5/16-18 Hex	1
9	47562652001	Cable, Brake, Csmr, Lifted, Driver-side	1
10	47582091001	Cable, Brake, Csmr, Lifted, Passenger-side	1

5
G
E

5
G
E



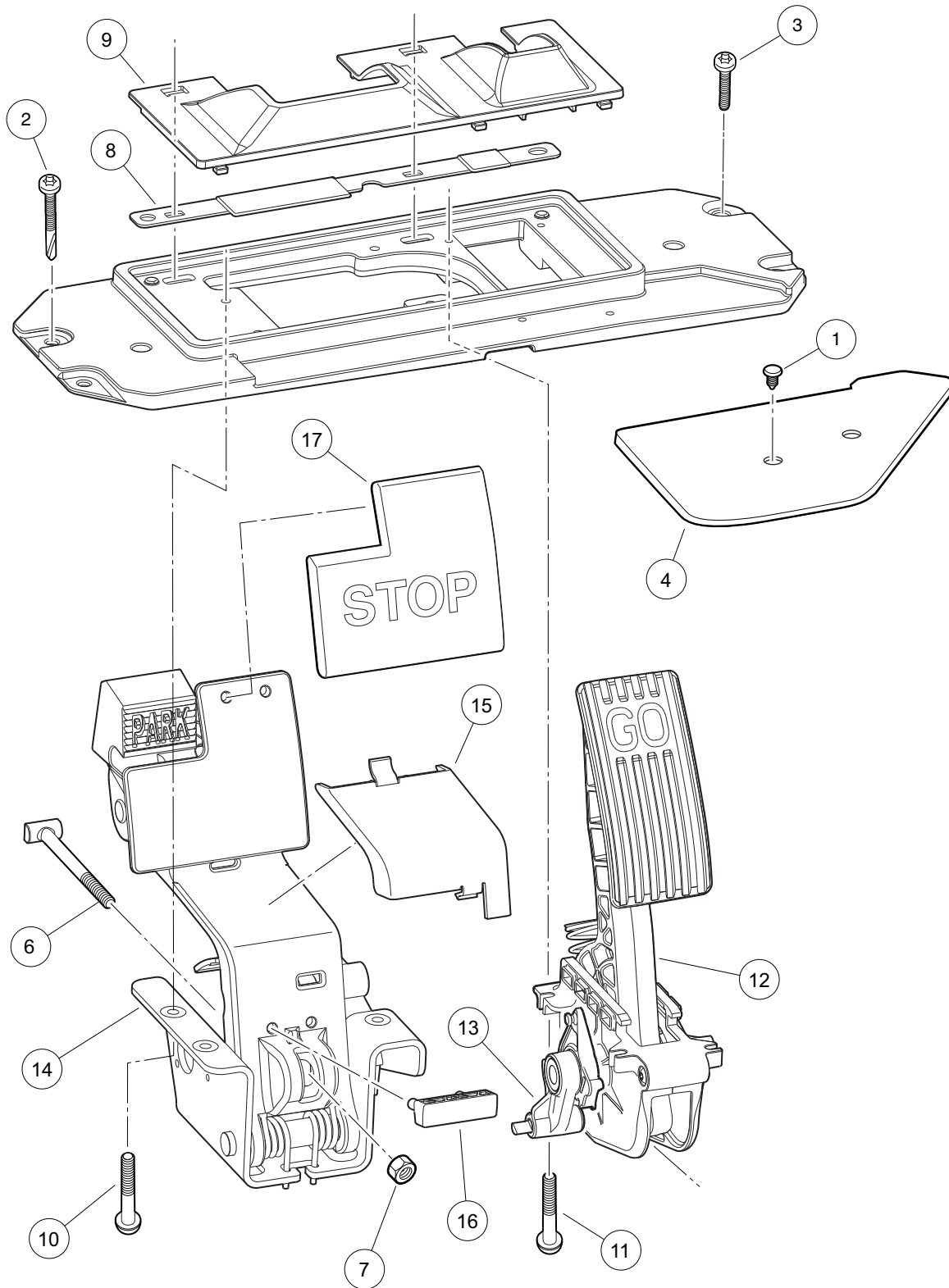
000487-015

PEDAL GROUP WITH SENSOR – GASOLINE VEHICLE

ITEM	PART NO.	DESCRIPTION	QTY
		1 2 3 4	
1	1010434	Barrel - Plastic	1
2	102292201	Screw-1/4-20x2.20 Tx Pn Hd Sd	2
3	102298030	Screw, K80x30, Torx Pn Hd Pt	2
4	102500801	Plate - Floor Cover	1
5	103974815	Asm, Pedal Set, Anodized, Service, Gas Vehicle (includes items 6 through 15)	1
6	102559401	Rod, Brake	1
7	102559701	Nut, Brake Rod	1
8	102594801	Shield, Debris Aux	1
9	102594901	Shield, Debris Primary	1
10	102595502	Asm, Accel. Pedal/Throttle, Anodized, Gas Vehicle (includes items 11 and 12)	1
11	103777601	Asm, Park Brake Release, Anodized	1
12	N/A	Throttle Sensor	1
13	102595901	Screw, M6x1.0x17 Ph, Taptite	4
14	102596001	Screw, M5x0.8x18 Ph, Taptite	4
15	103974901	Asm, Brake Pedal, Anodized (includes items 16 through 18)	1
16	102595201	Cover, Brake	1
17	102595301	Upstop, Brake	1
18	102595401	Pad, Brake	1
<p>Note: Item 5 is not illustrated as a complete assembly. All detail parts are identified in the illustration.</p>			

5
G
E

5
G
E

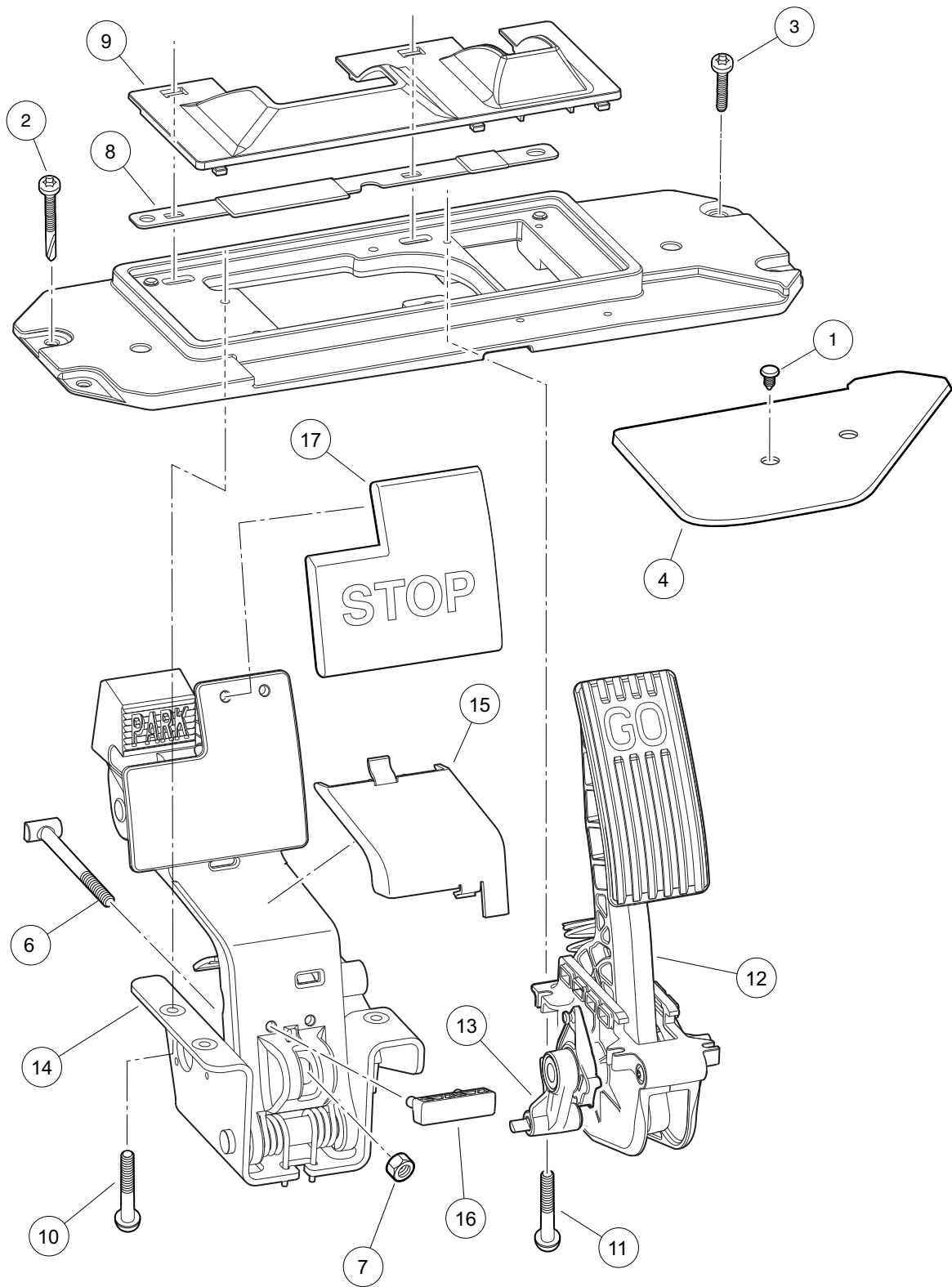


000487-018

PEDAL GROUP W/O SENSOR, GASOLINE VEHICLE

ITEM	PART NO.	DESCRIPTION	QTY	
		1 2 3 4		5
1	1010434	Barrel - Plastic	1	G
2	102292201	Screw-1/4-20x2.20 Tx Pn Hd Sd	2	E
3	102298030	Screw, K80x30, Torx Pn Hd Pt	2	
4	102500801	Plate - Floor Cover	1	
5	103974821	Asm, Pedal, Anodized, Field Service, Gas or Elec (includes items 6 through 14)	1	
6	102559401	Rod, Brake	1	
7	102559701	Nut, Brake Rod	1	
8	102594801	Shield, Debris Aux	1	
9	102594901	Shield, Debris Primary	1	
10	102595901	Screw, M6x1.0x17 Ph, Taptite	4	
11	102596001	Screw, M5x0.8x18 Ph, Taptite	4	
12	102596301	Pedal, Accelerator, Anodized (includes item 13)	1	
13	103777601	Asm, Park Brake Release, Anodized	1	
14	103974901	Asm, Brake Pedal, Anodized (includes items 15 through 17)	1	
15	102595201	Cover, Brake	1	
16	102595301	Upstop, Brake	1	
17	102595401	Pad, Brake	1	
<p>Note: Pedal Assembly (item 5) has no sensor and is common to both gas and electric vehicles. Item 5 is not illustrated as a complete assembly. All applicable details are illustrated.</p>				

5
G
E



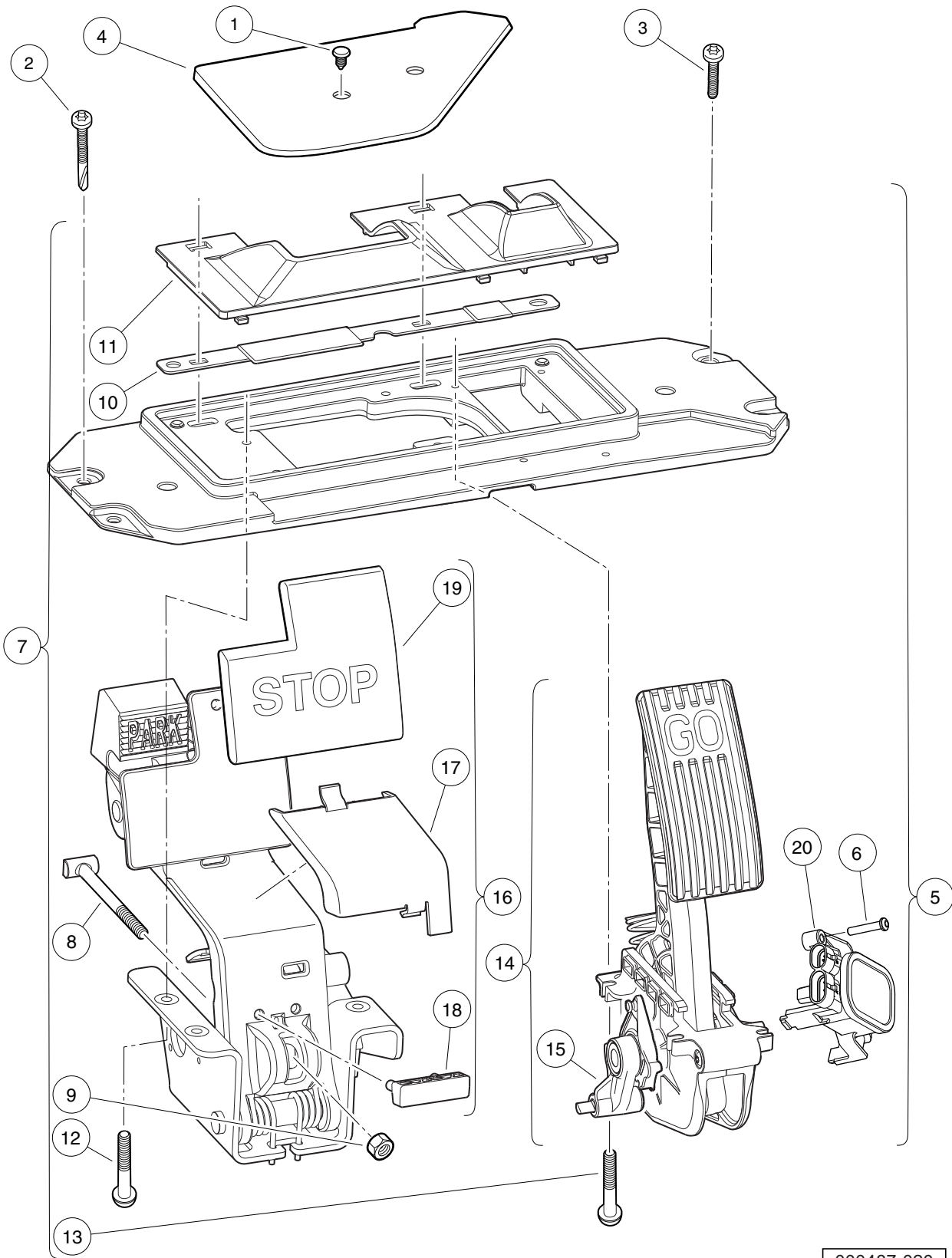
000487-016

PEDAL GROUP W/O MCOR – ELECTRIC VEHICLE

ITEM	PART NO.	DESCRIPTION	QTY
		1 2 3 4	
1	1010434	Barrel - Plastic	1
2	102292201	Screw-1/4-20x2.20 Tx Pn Hd Sd	2
3	102298030	Screw, K80x30, Torx Pn Hd Pt	2
4	102500801	Plate - Floor Cover	1
5	103974821	Asm, Pedal, Anodized, Field Service, Gas or Elec (includes items 6 through 14)	1
6	102559401	Rod, Brake	1
7	102559701	Nut, Brake Rod	1
8	102594801	Shield, Debris Aux	1
9	102594901	Shield, Debris Primary	1
10	102595901	Screw, M6x1.0x17 Ph, Taptite	4
11	102596001	Screw, M5x0.8x18 Ph, Taptite	4
12	102596301	Pedal, Accelerator, Anodized (includes item 13)	1
13	103777601	Asm, Park Brake Release, Anodized	1
14	103974901	Asm, Brake Pedal, Anodized (includes items 15 through 17)	1
15	102595201	Cover, Brake	1
16	102595301	Upstop, Brake	1
17	102595401	Pad, Brake	1
<p>Note: Pedal Assembly (item 5) has no MCOR and is common to both gas and electric vehicles. Item 5 is not illustrated as a complete assembly. All applicable details are illustrated.</p>			

5
G
E

5
G
E



000487-020

PEDAL GROUP WITH MCOR – ELECTRIC VEHICLE

ITEM	PART NO.	DESCRIPTION	QTY
		1 2 3 4	
1	1010434	Barrel - Plastic	1
2	102292201	Screw-1/4-20x2.20 Tx Pn Hd Sd	2
3	102298030	Screw, K80x30, Torx Pn Hd Pt	2
4	102500801	Plate - Floor Cover	1
5	103874111	Asm, Pedal Set, No Switch, w/MCOR, Service (includes items 6 through 20)	1
6	103943401	Screw, Pan, #10 X 1.00 Hi-lo	1
7	103975011	Asm, Pedal Set, No Switch, Service (includes items 8 through 16)	1
8	102559401	Rod, Brake	1
9	102559701	Nut, Brake Rod	1
10	102594801	Shield, Debris Aux	1
11	102594901	Shield, Debris Primary	1
12	102595901	Screw, M6x1.0x17 Ph, Taptite	4
13	102596001	Screw, M5x0.8x18 Ph, Taptite	4
14	102596301	Pedal, Accelerator, Anodized (includes item 15)	1
15	103777601	Asm, Park Brake Release, Anodized	1
16	103974901	Asm, Brake Pedal, Anodized (includes items 17 through 19)	1
17	102595201	Cover, Brake	1
18	102595301	Upstop, Brake	1
19	102595401	Pad, Brake	1
20	105116301	MCOR4, Type 16 Switch	1
Note: See the Electrical System Section for more MCOR information.			

5
G
E

5

G

E

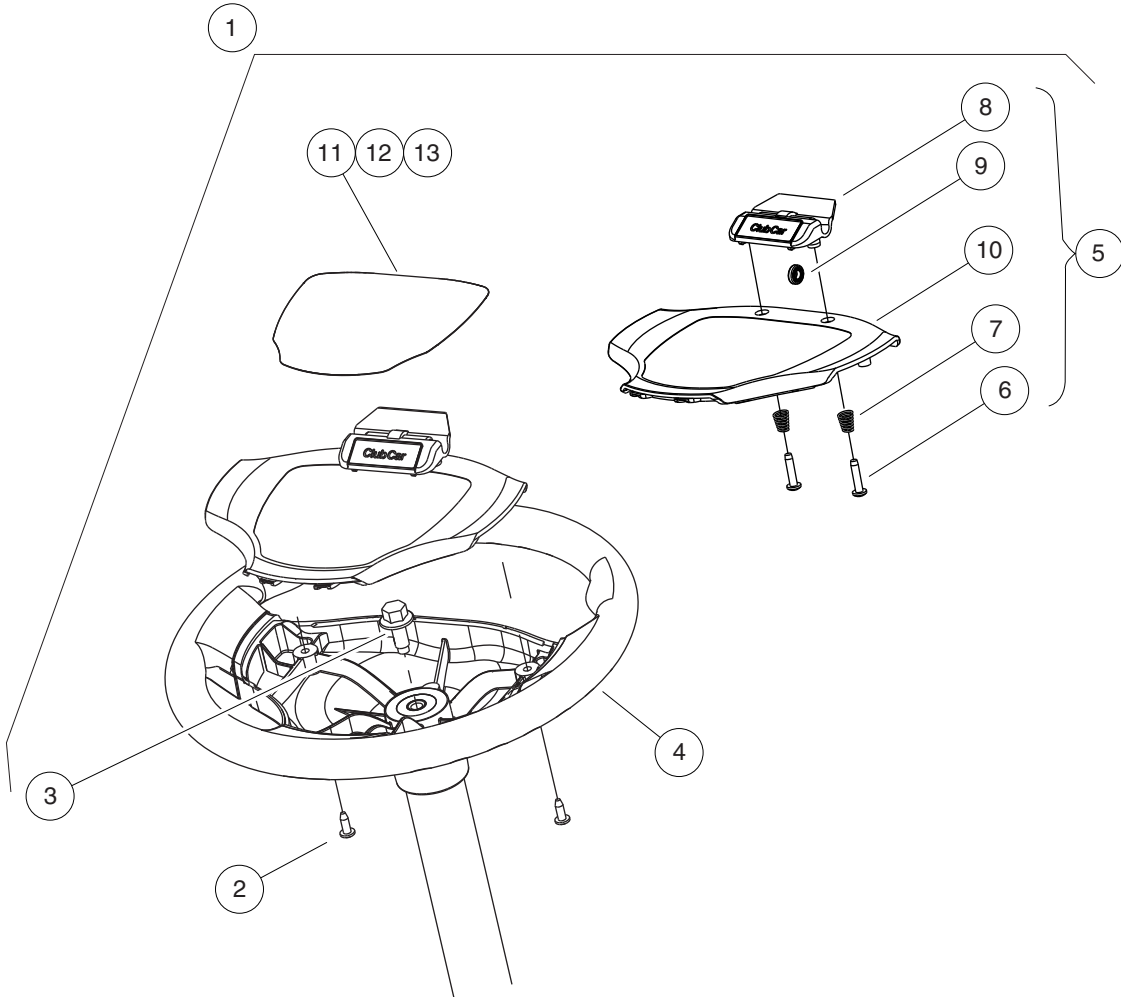
STEERING, FRONT AND REAR SUSPENSION – STANDARD HEIGHT

6

G

E

6
G
E



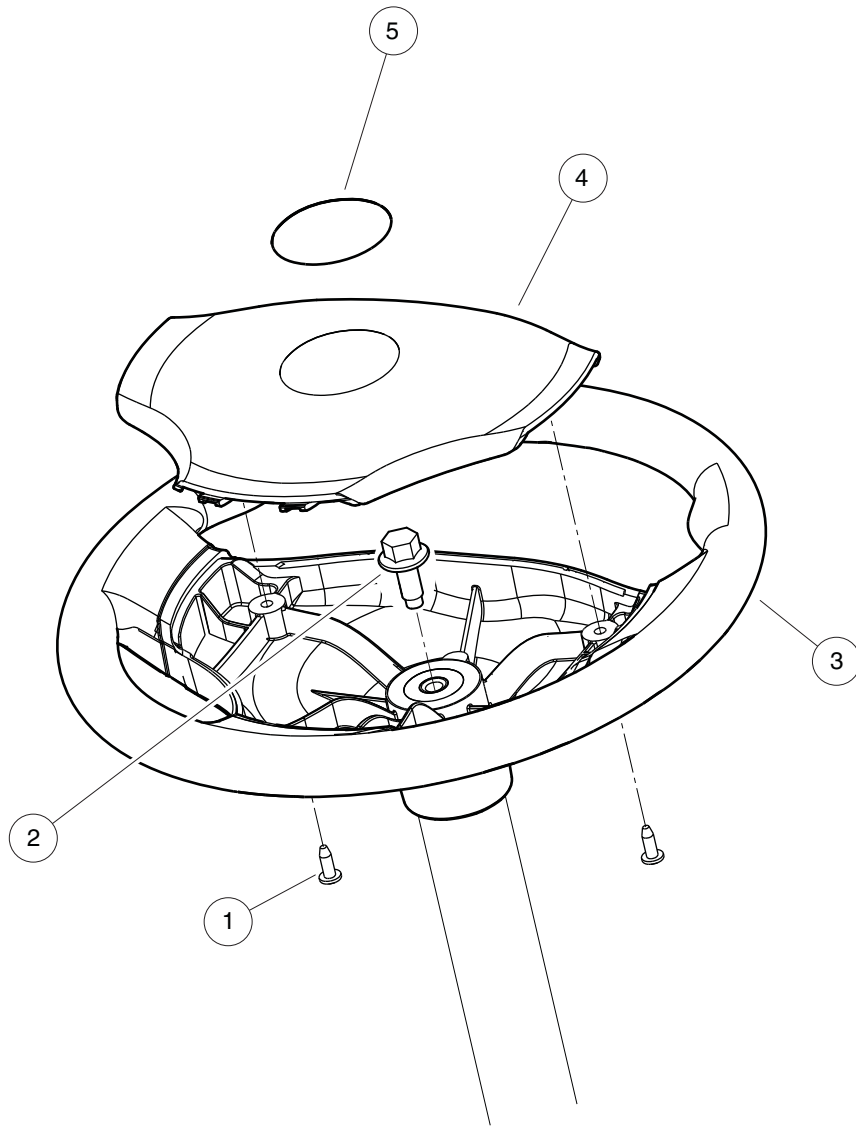
000470-002

STEERING WHEEL, COMFORT GRIP WITH CLIP

ITEM	PART NO.	DESCRIPTION	QTY
		1 2 3 4	
1	103796701	Kit, Hex, Steering Wheel (includes items 2 through 13)	1
2	101850301	Screw, #12-16 X 0.50 Washer-Head Hi-Lo	2
3	102290120	Bolt, M10 X 20 Hex Washer Hd	1
4	103724503	Steering Wheel, Soft Grip, Hex	1
5	103724901	Asm, Scorecard, Clip (includes items 6 through 10)	1
6	1012565	Screw, #12 Phillips Round Head	2
7	1012566	Tapered Compression Spring	2
8	1016154	Clip, Scorecard	1
9	1016214	Pencil Grip	1
10	103724601	Cover, Steering Wheel, Clip	1
11	103783001	Decal, Op Instr, Ele	1
12	103783002	Decal, Op Instr, Gas Ps	1
13	103783003	Decal, Op Instr, Gas Ks	1
<p>Note: Decal Item 13 is not used for Precedent vehicles.</p>			

6
G
E

6
G
E

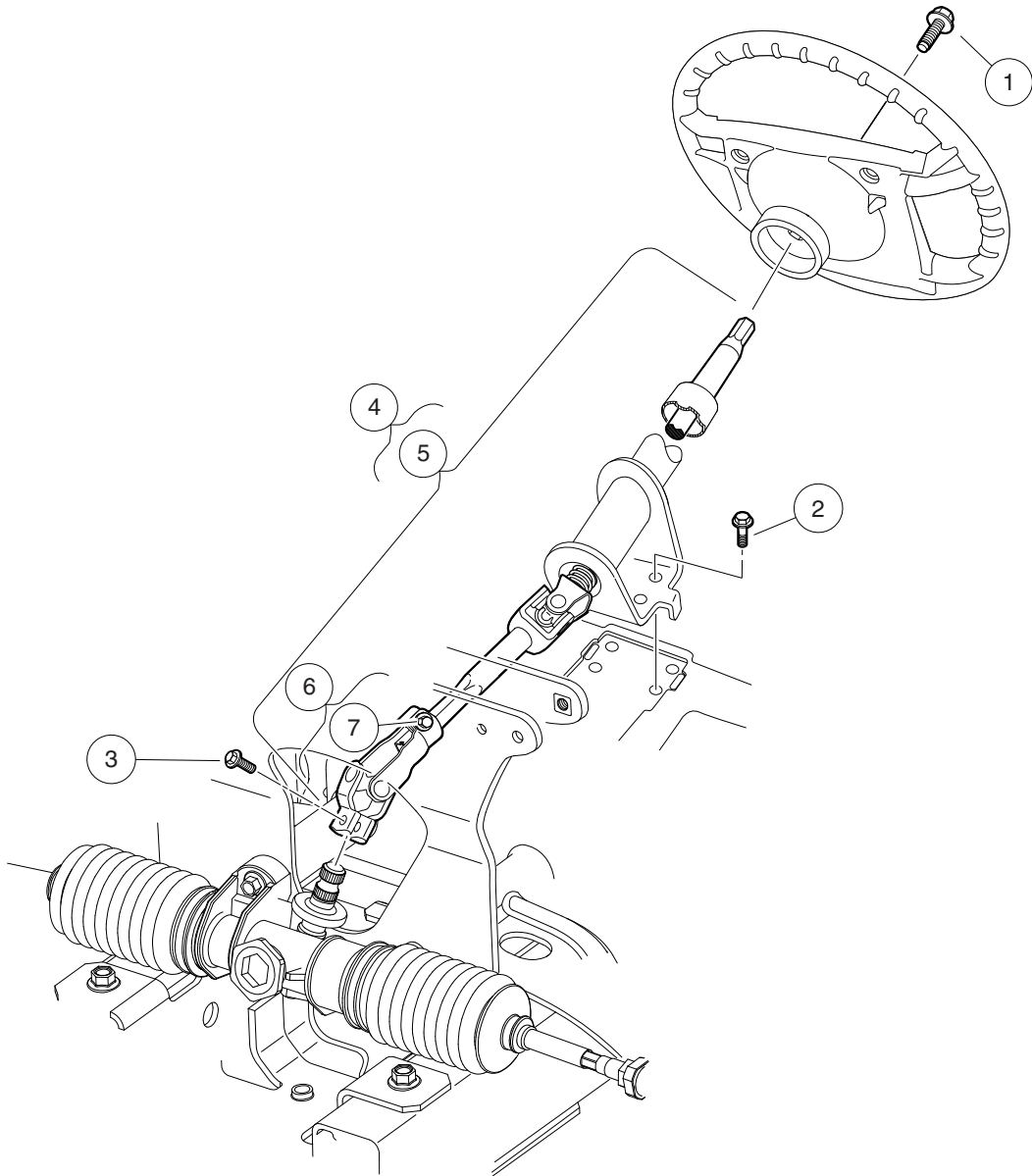


001389-001

STEERING WHEEL, COMFORT GRIP WITH LOGO

ITEM	PART NO.	DESCRIPTION	QTY
		1 2 3 4	
1	101850301	Screw, #12-16 X 0.50 Washer-Head Hi-Lo	2
2	102290120	Bolt, M10 X 20 Hex Washer Hd	1
3	103724503	Steering Wheel, Soft Grip, Hex	1
4	103724602	Cover, Steering Wheel, Generic	1
5	103829401	Logo, Cci, Steer Wheel	1

6
G
E



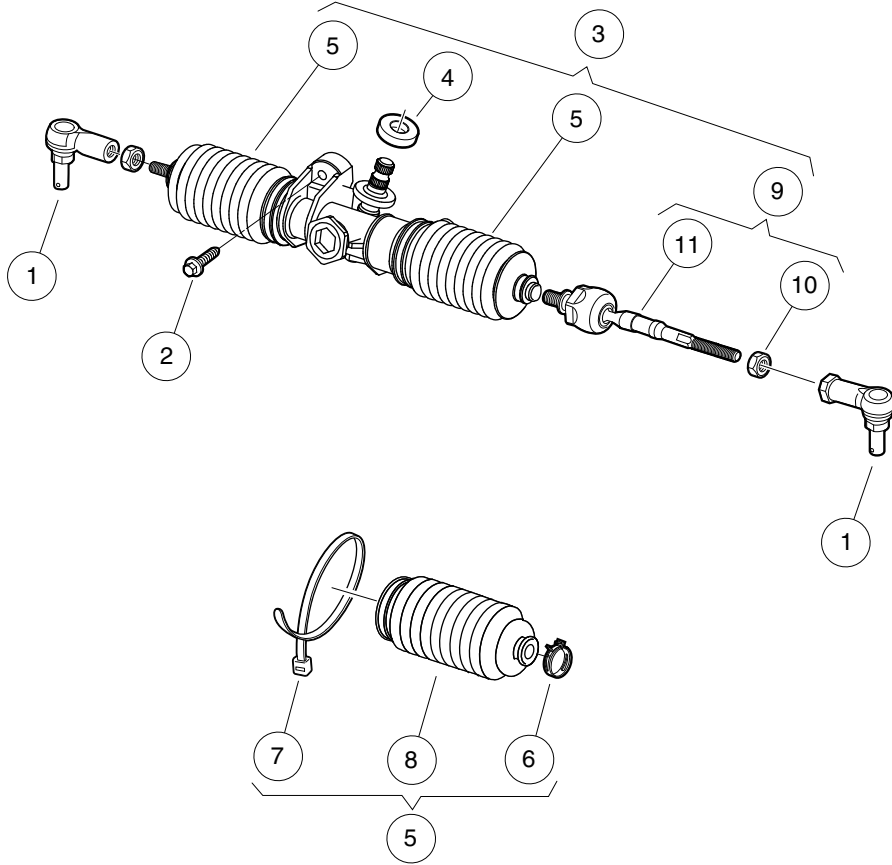
000469-007

STEERING COLUMN

ITEM	PART NO.	DESCRIPTION	QTY
		1 2 3 4	
1	102290120	Bolt, M10 X 20 Hex Washer Hd	1
2	102298116	Bolt, Flanged Head, M8 X 16.0	4
3	102298130	Bolt, Flange Head, M8 X 30.0	1
4	105049001	Kit, Inner Steering Clmn (includes item 5)	1
5	105068601	Asm, Column, Inner (includes item 6)	1
6	103810201	Kit, Lower Yoke, Wanda (includes item 7)	1
7	102298130	Bolt, Flange Head, M8 X 30.0	1

6
G
E

6
G
E



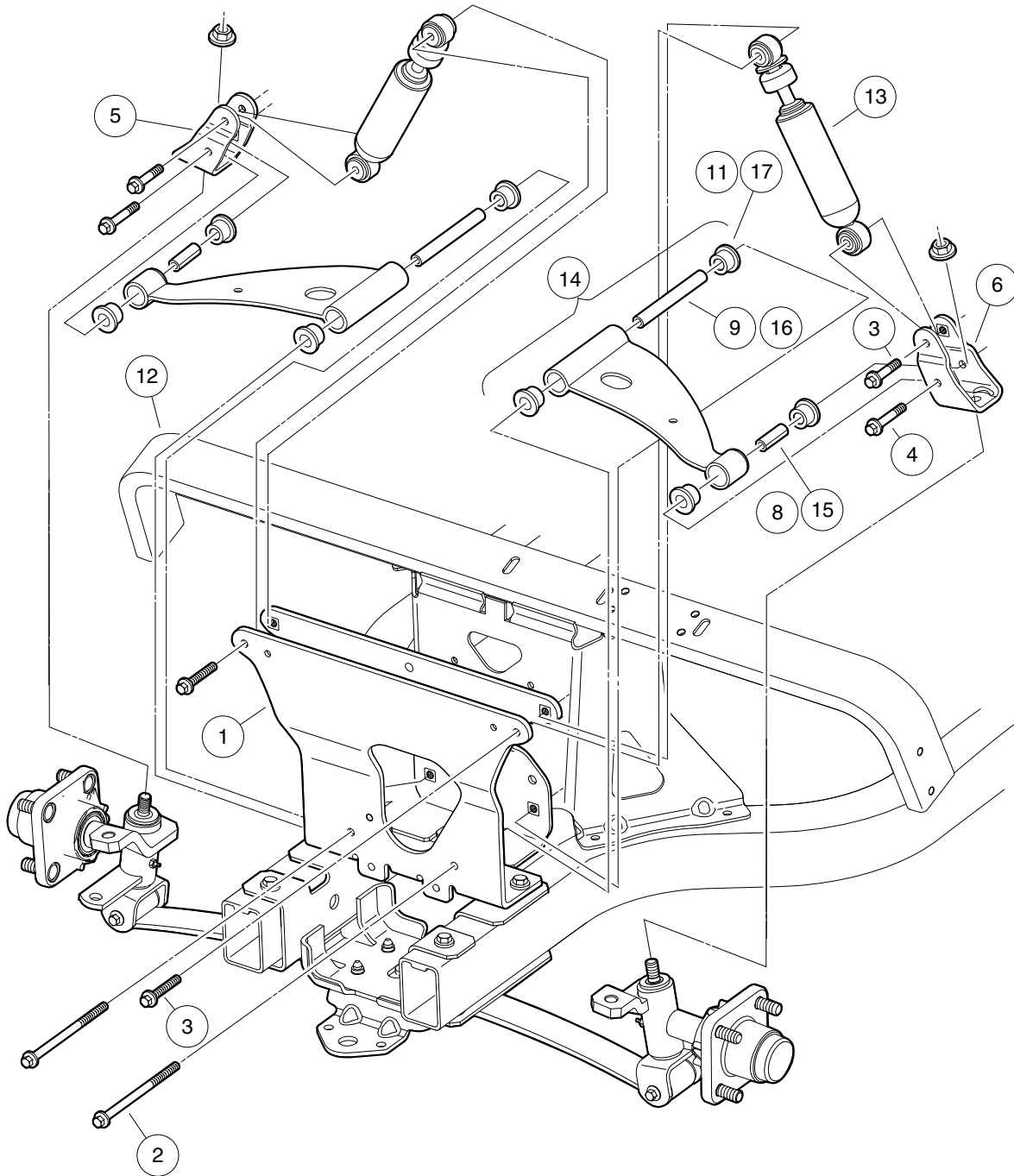
000476-005

STEERING GEAR ASSEMBLY

ITEM	PART NO.	DESCRIPTION	QTY
		1 2 3 4	
1	102022601	End, Tie Rod M12 X 1.25 Rh	2
2	102289001	Screw, M8X1.25X30, Hex	3
3	103679701	Asm, Rack & Pinion (includes items 4 through 9)	1
4	102565201	Seal, Dust, Steering Pinion	1
5	103826201	Bellow Kit, Steering-sona (includes items 6 through 8)	2
6	102566001	Clip, Steering	1
7	8990	Tie Wrap, 8" Nylon	1
8	N/A	Bellows	1
9	103826301	Kit, IBJ (Inner Ball Joint), Steering-sona (includes items 10 and 11)	2
10	1013042	Nut, 12mm Hex	1
11	N/A	Inner Ball Joint	1

6
G
E

6
G
E



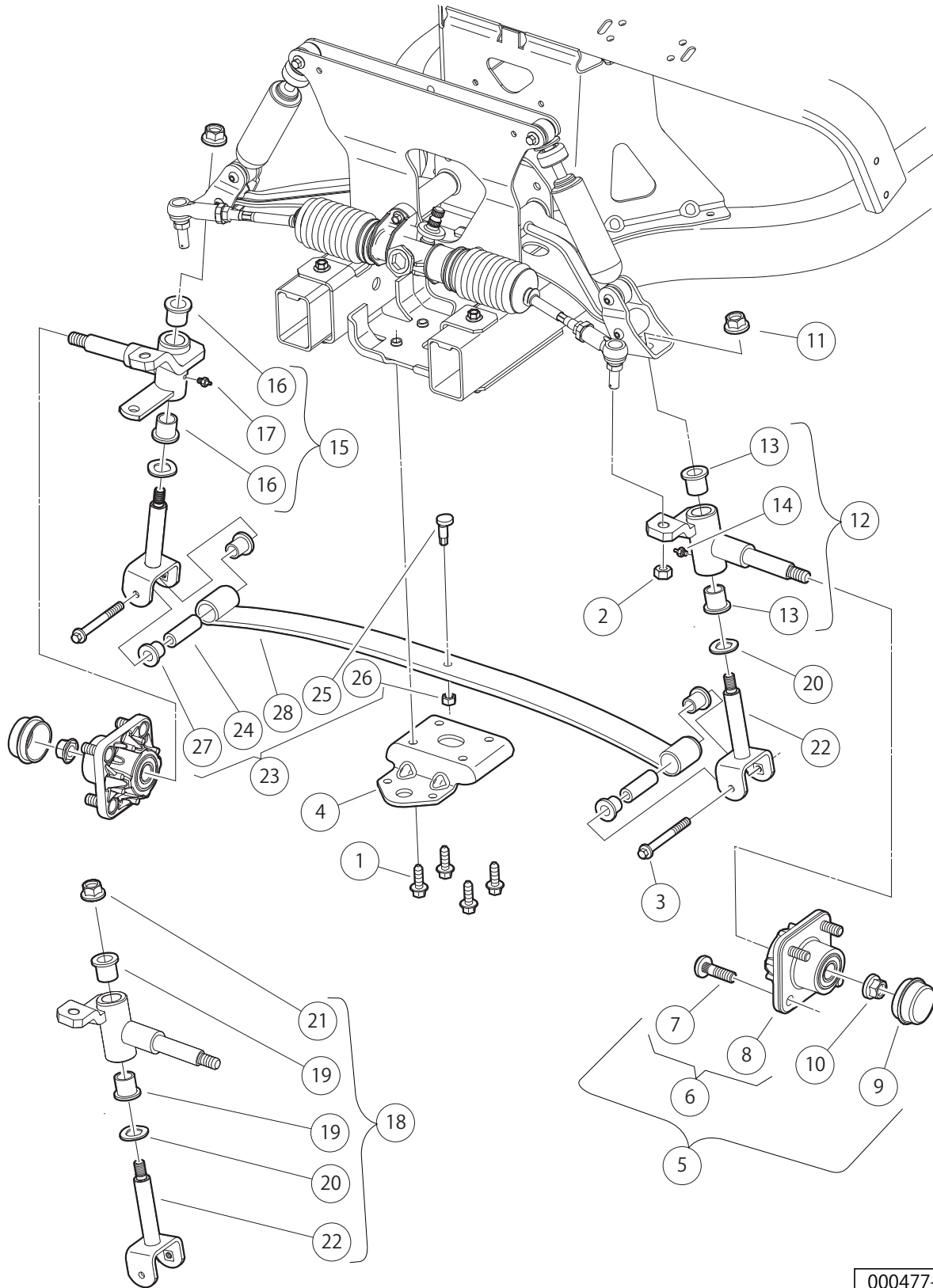
000445-005

FRONT SUSPENSION, UPPER

ITEM	PART NO.	DESCRIPTION	QTY
		1 2 3 4	
1	102287101	Assembly - Front Structure	1
2	102288901	Bolt, Hex, M8x1.25 X 135	2
3	102289401	Screw- Hex Cap, M8 X 1.25 X 45	4
4	102289501	Screw- Hex Cap, M8 X 1.25 X 70	2
5	102289601	Upper Clevis Assembly, Passenger-side	1
6	102289701	Upper Clevis Assembly, Driver-side	1
7	102289901	Kit, Susp, Bushing Joints (includes items 8 through 11)	1
8	102287601	Sleeve - Rolled, Outer	2
9	102287701	Sleeve - Rolled, Inner	2
10	102288101	Sleeve - Rolled, Spring	2
11	102956201	Bushing, Urethane, Short	12
12	102505701	Assembly, Dash Support	1
13	102588601	Shock Absorber Front	2
14	103388501	Asm, 3 Piece A-arm, Bushings (includes items 15 through 17)	2
15	102287601	Sleeve - Rolled, Outer	1
16	102287701	Sleeve - Rolled, Inner	1
17	102956201	Bushing, Urethane, Short	4
		Note: Item 7 (not shown) includes bushings and sleeves for control arms and front suspension leaf spring. See lower suspension page for illustration of item 10 (not shown).	

6
G
E

6
G
E



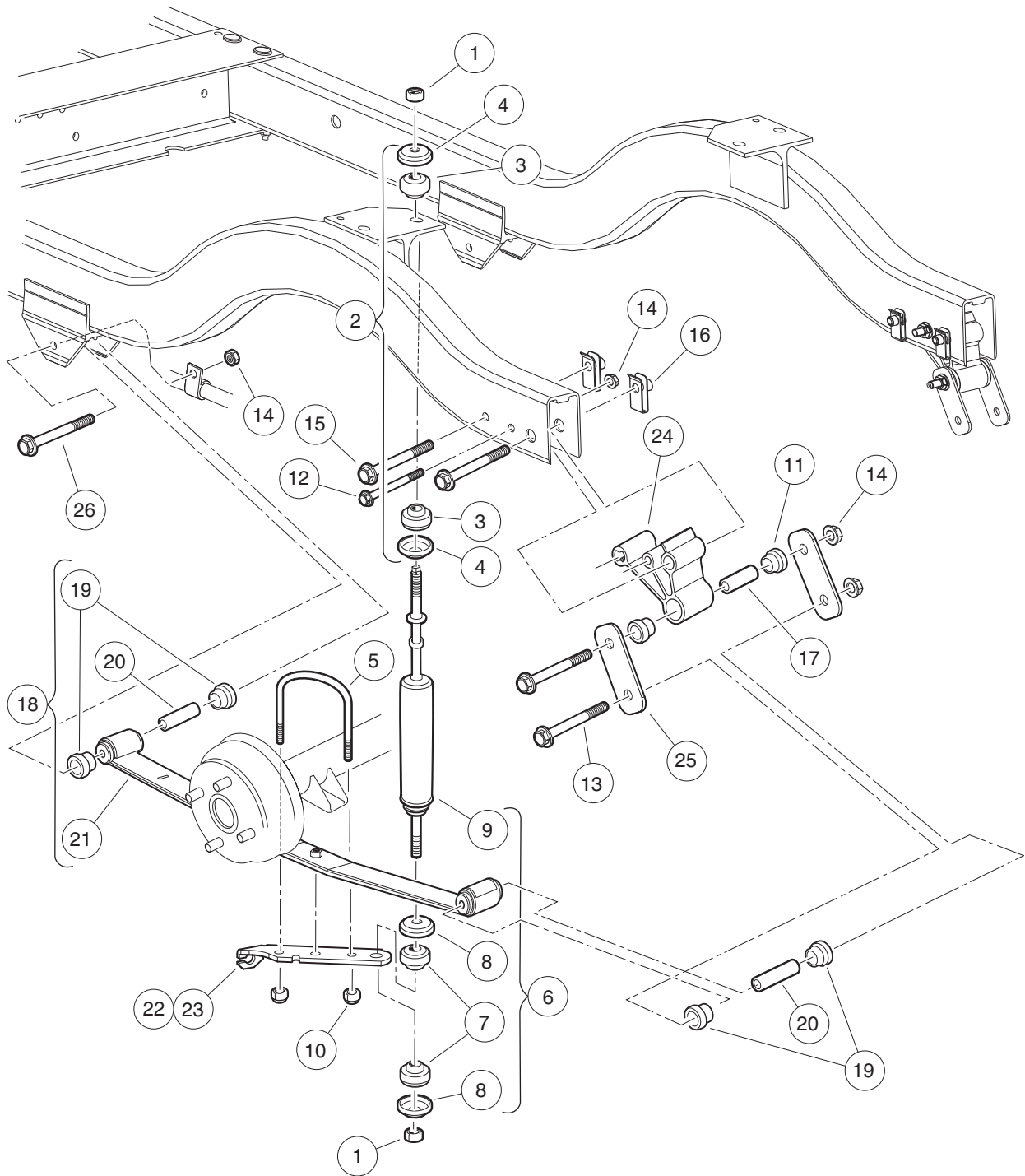
000477-009

FRONT SUSPENSION, LOWER

ITEM	PART NO.	DESCRIPTION	QTY
		1 2 3 4	
1	102289101	Screw-m10x1.5, Trilob, Hex Fl	4
2	102289201	Nut - Hex Locking, M12 X 1.25	2
3	102289501	Screw- Hex Cap, M8 X 1.25 X 70	2
4	102289801	Clamp - Leaf Spring	1
5	102357701	Replacement Kit, Front Hub (includes items 6 through 10)	1
6	N/A	Front Hub Assembly, Ball Bearing (includes items 7 and 8)	1
7	102353401	Lug Stud, 1/2-20 UNF, 4037 Stl	4
8	N/A	Hub, Front	1
9	102353201	Cap, Front Hub	1
10	102353301	Hex Nut, Locking Flange, M14x2	1
11	102878201	Nut, Lock,m12,washer,conical	2
12	103638701	Asm, Spindle, with Bushings, Driver-side (includes items 13 and 14)	1
13	102288201	Bushing - Flanged	2
14	N/A	Fitting, Grease, Knuckle Spindle Asym	1
15	103638702	Asm, Spindle, with Bushings, Passenger-side (includes items 16 and 17)	1
16	102288201	Bushing - Flanged	2
17	N/A	Fitting, Grease, Knuckle Spindle Asym	1
18	103638801	Kit, King Pin Joints (includes items 19 through 22)	1
19	102288201	Bushing - Flanged	4
20	102288401	Wave Washer - Kingpin	2
21	102878201	Nut, Lock,m12,washer,conical	2
22	103638601	Asm, King Pin, M12	2
23	103935601	Asm, Spring, Leaf, Front, 50.4 (includes items 24 through 28)	1
24	102288101	Sleeve - Rolled, Spring	2
25	102288701	Eccentric Bolt	1
26	102288801	Nut-hex, 3/8-16	1
27	102956201	Bushing, Urethane, Short	2
28	105187901	Spring, Leaf, Front, 50.4	1

6
G
E

6
G
E



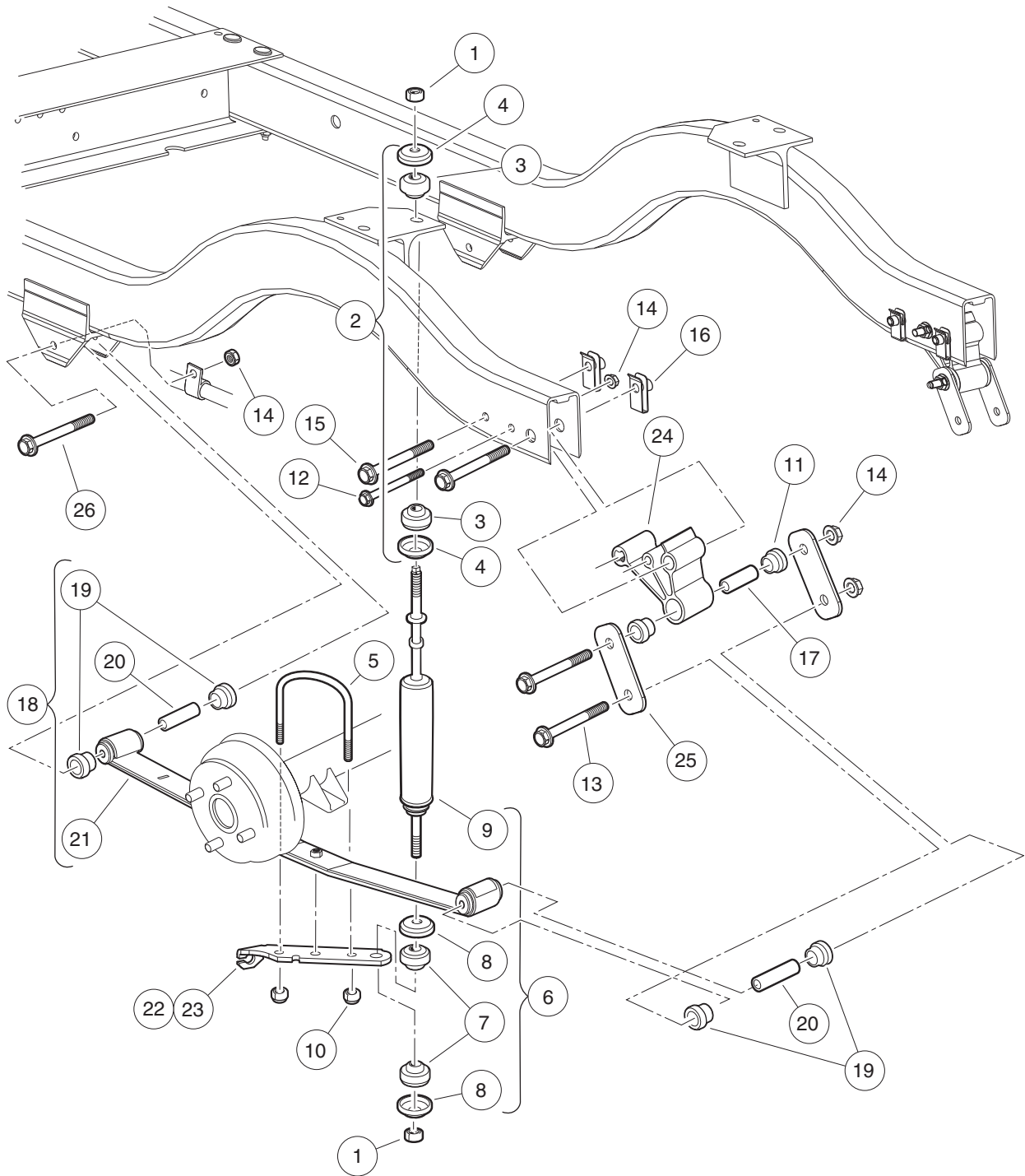
000446-005

REAR SUSPENSION, GASOLINE VEHICLE

ITEM	PART NO.	DESCRIPTION	QTY
		1 2 3 4	
1	1010145	Nut, 3/8-24 Hex	4
2	1011415	Kit, Shock Absorber Cushion (includes items 3 and 4)	2
3	N/A	Retainer, Shock Absorber Cushion	2
4	47579096001	Isolator, Shock Damper	2
5	1012180	U-Bolt	2
6	1013164	Shock Absorber Kit (includes items 7 through 9)	1
7	N/A	Cushion, Shock Absorber	8
8	N/A	Retainer, Shock Absorber Cushion	8
9	102588501	Shock Absorber, Rear	2
10	1014555	Locknut, 7/16-14 Nylon Hex	4
11	1015583	Bushing, Urethane	4
12	102298170	Bolt - Flange Hd, M8 X 70.0	2
13	102298175	Bolt - Flange Hd, M8 X 75.0	2
14	102298401	Nut,m8,all Metal Lock	8
15	102298580	M8-1.25 X 80 Sems	4
16	102298601	J-clip - M8 X 1.25	4
17	102506401	Sleeve - Spring Eye Mounts	2
18	103742305	Asm, Rear Leaf Spring, Light (includes items 19 through 21)	2
19	101558302	Bushing, Urethane, Soft	4
20	102506401	Sleeve - Spring Eye Mounts	2
21	N/A	Leaf Spring, Rear, Light	1
22	103921601	Bracket, Shock Mounting, Drv	1
23	103921602	Bracket, Shock Mounting, Pas	1
24	103964901	Spacer, Rail, Shackle	2
25	103965001	Brkt, Shackle, Rear	4
26	105188185	Bolt, M8 X 85mm, 10.9 Grade	4

6
G
E

6
G
E



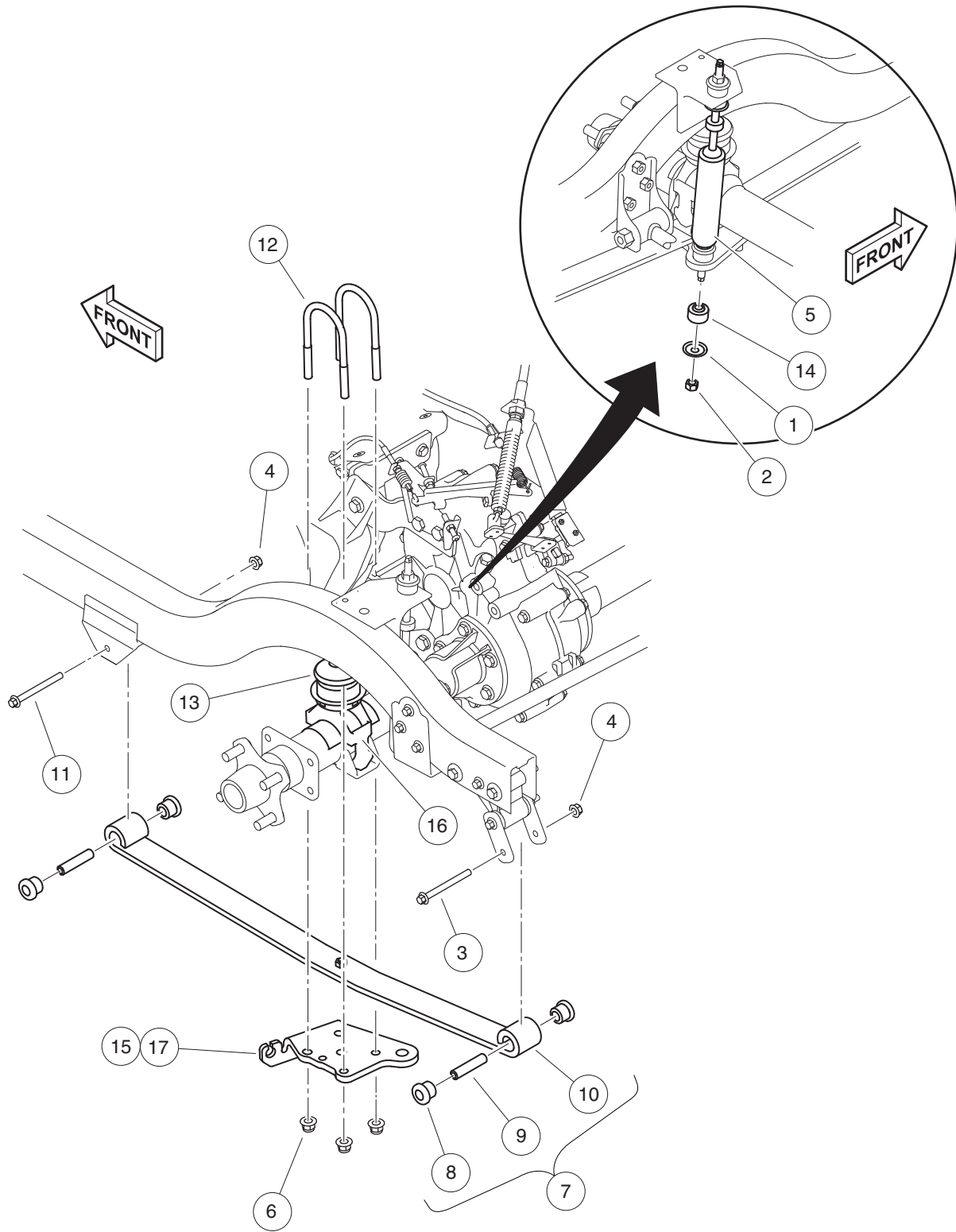
000446-005

REAR SUSPENSION, ELECTRIC VEHICLE

ITEM	PART NO.	DESCRIPTION	QTY
		1 2 3 4	
1	1010145	Nut, 3/8-24 Hex	4
2	1011415	Kit, Shock Absorber Cushion (includes items 3 and 4)	2
3	N/A	Retainer, Shock Absorber Cushion	2
4	47579096001	Isolator, Shock Damper	2
5	1012180	U-Bolt	2
6	1013164	Shock Absorber Kit (includes items 7 through 9)	1
7	N/A	Cushion, Shock Absorber	8
8	N/A	Retainer, Shock Absorber Cushion	8
9	102588501	Shock Absorber, Rear	2
10	1014555	Locknut, 7/16-14 Nylon Hex	4
11	1015583	Bushing, Urethane	4
12	102298170	Bolt - Flange Hd, M8 X 70.0	2
13	102298175	Bolt - Flange Hd, M8 X 75.0	2
14	102298401	Nut,m8,all Metal Lock	8
15	102298580	M8-1.25 X 80 Sems	4
16	102298601	J-clip - M8 X 1.25	4
17	102506401	Sleeve - Spring Eye Mounts	2
18	103742304	Asm, Rear Leaf Spring, Std (includes items 19 through 21)	2
19	101558302	Bushing, Urethane, Soft	4
20	102506401	Sleeve - Spring Eye Mounts	2
21	N/A	Leaf Spring, Rear, Std	1
22	103921601	Bracket, Shock Mounting, Drv	1
23	103921602	Bracket, Shock Mounting, Pas	1
24	103964901	Spacer, Rail, Shackle	2
25	103965001	Brkt, Shackle, Rear	4
26	105188185	Bolt, M8 X 85mm, 10.9 Grade	4

6
G
E

6
G
E



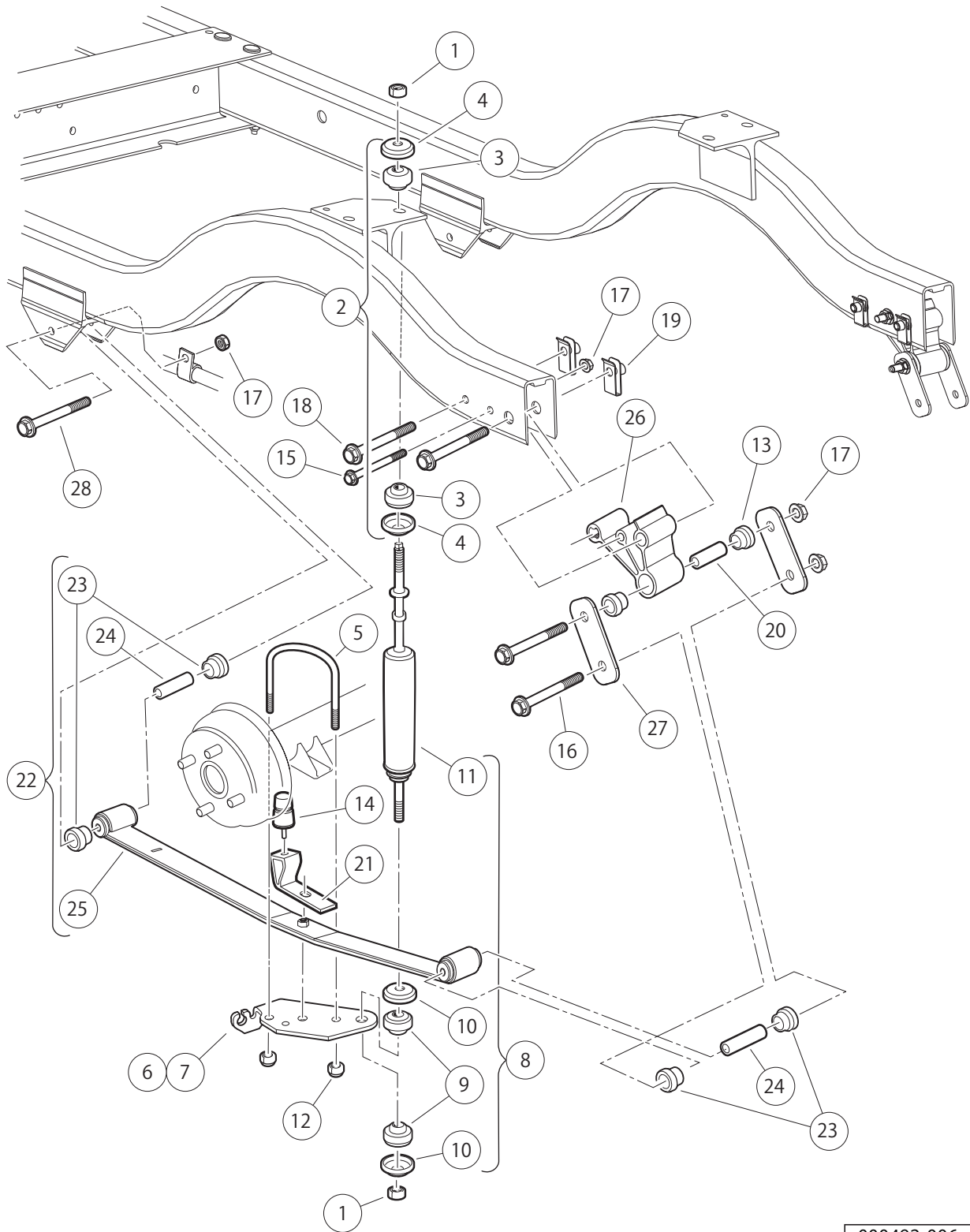
001396-001

REAR SUSPENSION, GASOLINE 4-PASSENGER – CONSUMER

ITEM	PART NO.	DESCRIPTION	QTY
		1 2 3 4	
1	N/A	Retainer, Shock Absorber Cushion	8
2	1010145	Nut, 3/8-24 Hex	4
3	102298175	Bolt - Flange Hd, M8 X 75.0	2
4	102298401	Nut,m8,all Metal Lock	4
5	102588501	Shock Absorber, Rear	2
6	102670701	Nut, Flange, M10 X 1.5 Nylon	8
7	103742304	Asm, Rear Leaf Spring, Std (includes items 8 through 10)	2
8	101558302	Bushing, Urethane, Soft	4
9	102506401	Sleeve - Spring Eye Mounts	2
10	N/A	Leaf Spring, Rear, Std	1
11	105188185	Bolt, M8 X 85mm, 10.9 Grade	2
12	105188701	U-bolt, M10x1.5x58	4
13	47576196001	Bumper, Jounce, D-255828	2
14	47579096001	Isolator, Shock Damper	8
15	47583665001	Bracket, U-bolt, with Panhard Mount, Passenger-side	1
16	47583666001	Bracket, Perch, Bumper, Jounce	2
17	47583912001	Bracket, U-bolt, Driver-side	1

6
G
E

6
G
E



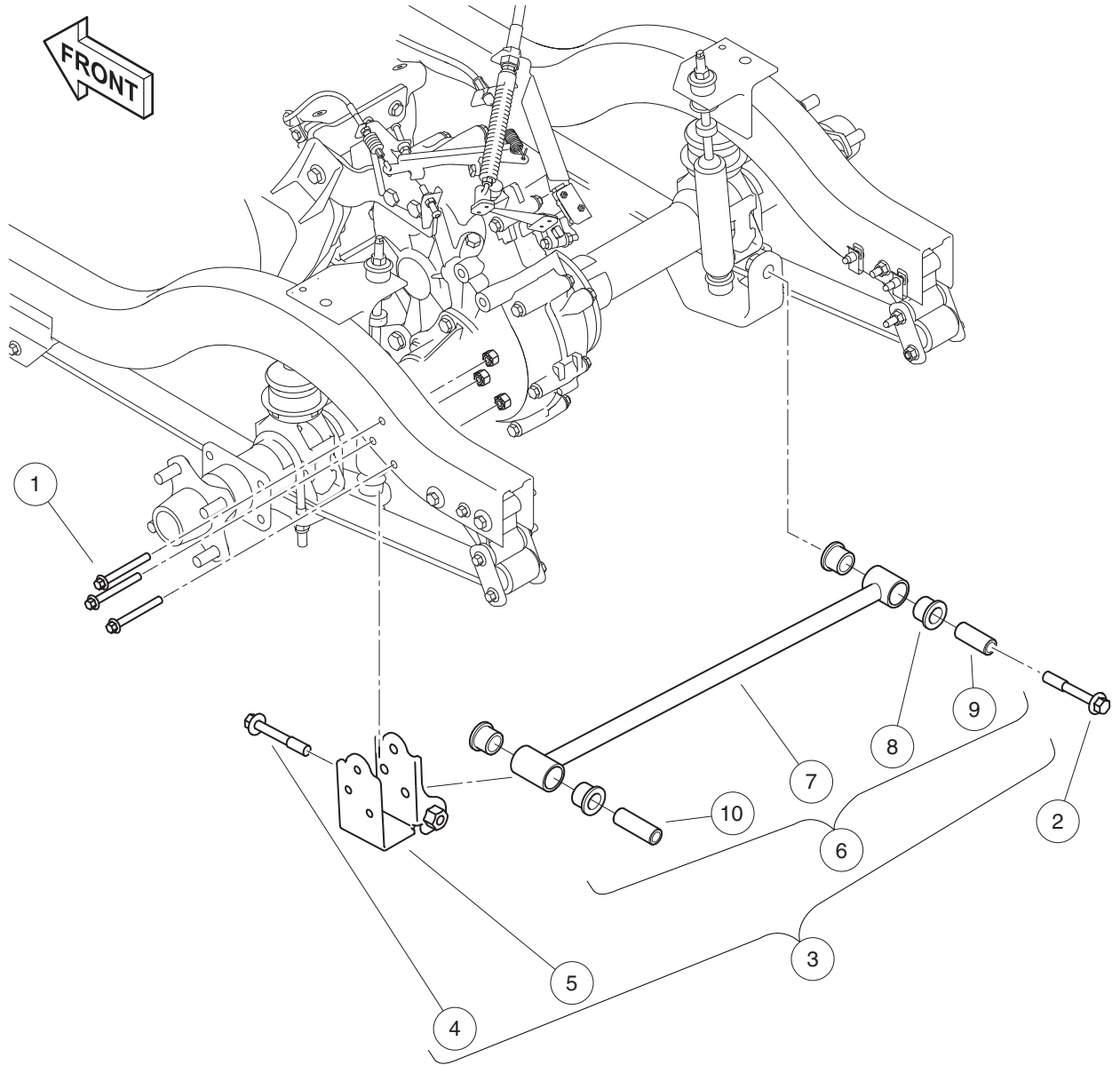
000492-006

REAR SUSPENSION, FOUR PASSENGER ELECTRIC, OPTIONAL TWO OR FOUR PASSENGER HD

ITEM	PART NO.	DESCRIPTION	QTY
		1 2 3 4	
1	1010145	Nut, 3/8-24 Hex	4
2	1011415	Kit, Shock Absorber Cushion (includes items 3 and 4)	2
3	N/A	Retainer, Shock Absorber Cushion	2
4	47579096001	Isolator, Shock Damper	2
5	1012180	U-Bolt	2
6	1012181	Bracket, Shock Mounting, Right (Passenger)	1
7	1012182	Bracket, Shock Mounting, Left (Driver)	1
8	1013164	Shock Absorber Kit (includes items 9 through 11)	1
9	N/A	Cushion, Shock Absorber	8
10	N/A	Retainer, Shock Absorber Cushion	8
11	102588501	Shock Absorber, Rear	2
12	1014555	Locknut, 7/16-14 Nylon Hex	4
13	1015583	Bushing, Urethane	4
14	1017235	Bumper, Jounce	2
15	102298170	Bolt - Flange Hd, M8 X 70.0	2
16	102298175	Bolt - Flange Hd, M8 X 75.0	2
17	102298401	Nut,m8,all Metal Lock	8
18	102298580	M8-1.25 X 80 Sems	4
19	102298601	J-clip - M8 X 1.25	4
20	102506401	Sleeve - Spring Eye Mounts	2
21	102534801	Jounce Bumper Bracket	2
22	103742306	Asm, Rear Leaf Spring (includes items 23 through 25)	2
23	101558302	Bushing, Urethane, Soft	4
24	102506401	Sleeve - Spring Eye Mounts	2
25	N/A	Leaf Spring, Rear	1
26	103964901	Spacer, Rail, Shackle	2
27	103965001	Brkt, Shackle, Rear	4
28	105188185	Bolt, M8 X 85mm, 10.9 Grade	4

6
G
E

6
G
E



001392-001

PANHARD ROD

ITEM	PART NO.	DESCRIPTION	QTY
		1 2 3 4	
1	102298170	Bolt - Flange Hd, M8 X 70.0	3
2	103146501	Bolt, Flg, M12 X 1.75 X 80	1
3	47577865001	Assy, Panhard and Frame Rail Bracket (includes items 4 through 6)	1
4	103146501	Bolt, Flg, M12 X 1.75 X 80	1
5	47576649001	Bkt, Frame Rail, Panhard	1
6	47577864001	Asm, Rod, Panhard (includes items 7 through 10)	1
7	47576650001	Assy, Weldment, Panhard	1
8	47576651001	Bushing, Slip, 3390000-160802	4
9	47576652001	Sleeve, Bushing, Panhard, Short	1
10	47576652002	Sleeve, Bushing, Panhard, Long	1

6
G
E

6

G

E

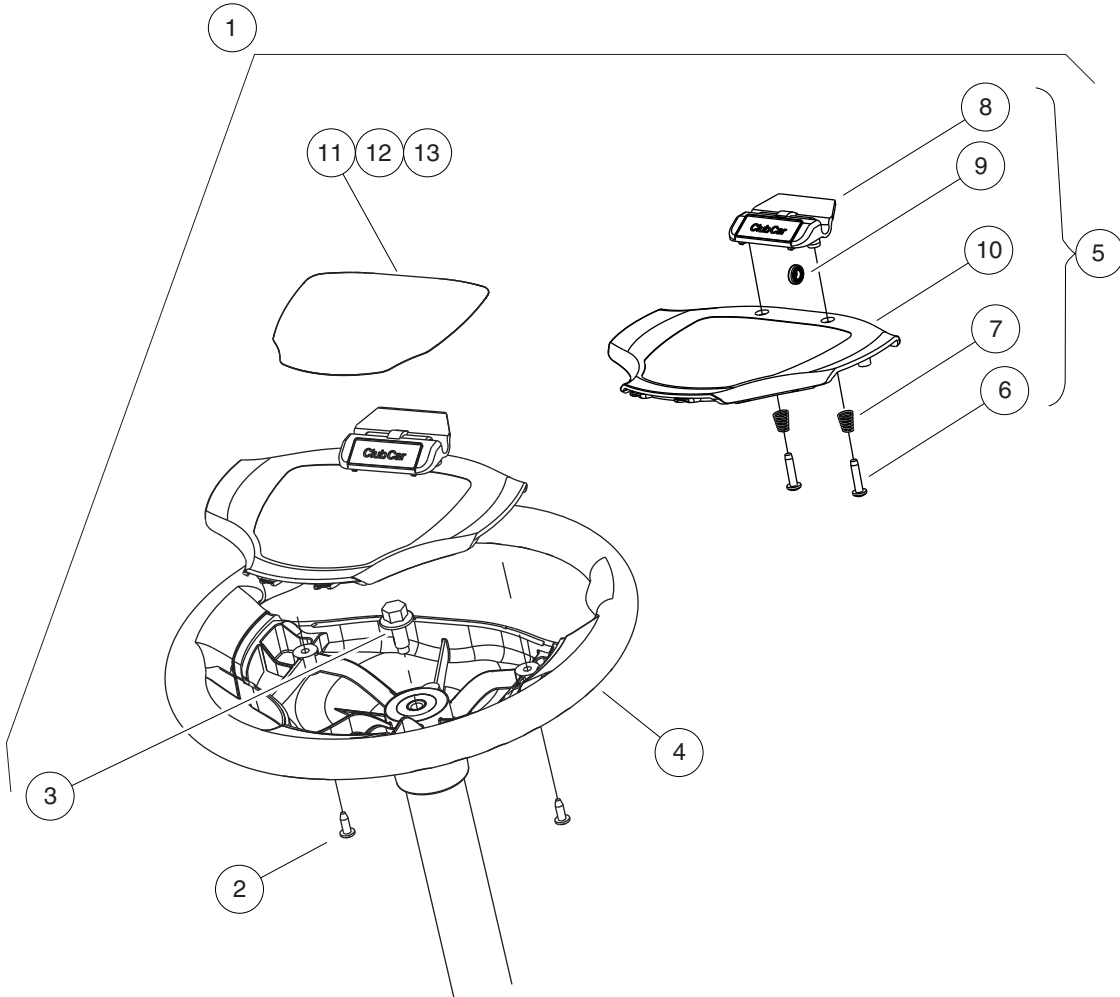
STEERING, FRONT AND REAR SUSPENSION – LIFTED

7

G

E

7
G
E



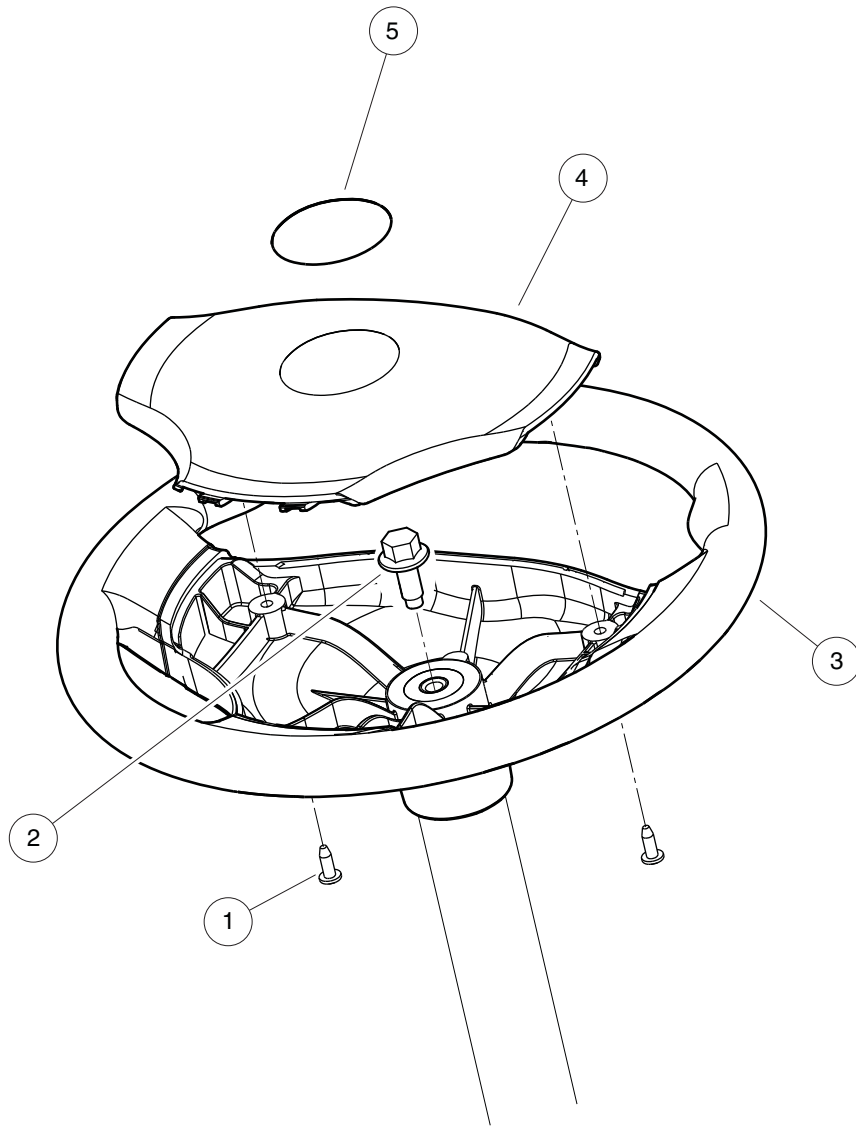
000470-002

STEERING WHEEL, COMFORT GRIP WITH CLIP

ITEM	PART NO.	DESCRIPTION	QTY
		1 2 3 4	
1	103796701	Kit, Hex, Steering Wheel (includes items 2 through 13)	1
2	101850301	Screw, #12-16 X 0.50 Washer-Head Hi-Lo	2
3	102290120	Bolt, M10 X 20 Hex Washer Hd	1
4	103724503	Steering Wheel, Soft Grip, Hex	1
5	103724901	Asm, Scorecard, Clip (includes items 6 through 10)	1
6	1012565	Screw, #12 Phillips Round Head	2
7	1012566	Tapered Compression Spring	2
8	1016154	Clip, Scorecard	1
9	1016214	Pencil Grip	1
10	103724601	Cover, Steering Wheel, Clip	1
11	103783001	Decal, Op Instr, Ele	1
12	103783002	Decal, Op Instr, Gas Ps	1
13	103783003	Decal, Op Instr, Gas Ks	1
<p>Note: Decal Item 13 is not used for Precedent vehicles.</p>			

7
G
E

7
G
E

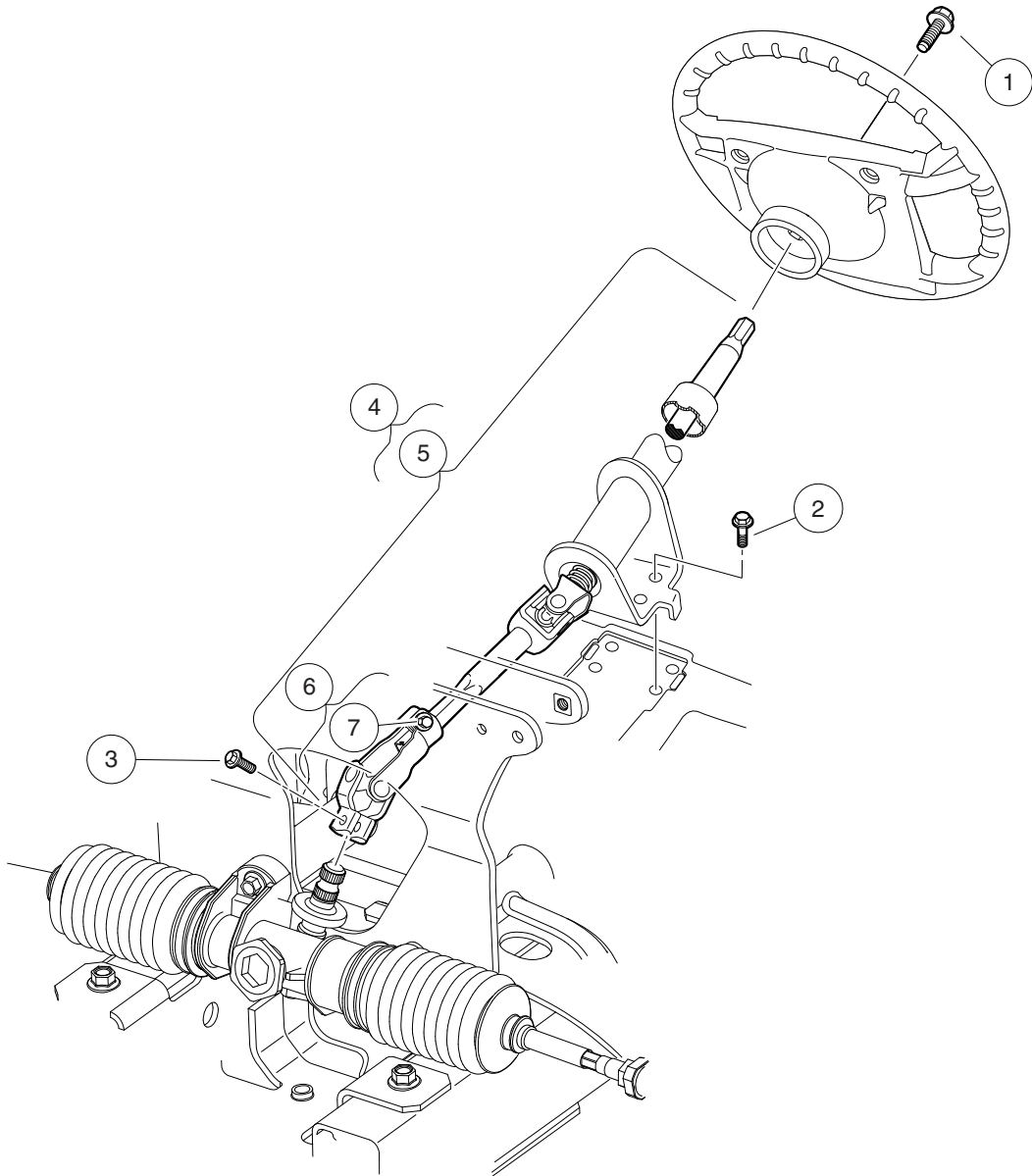


001389-001

STEERING WHEEL, COMFORT GRIP WITH LOGO

ITEM	PART NO.	DESCRIPTION	QTY
		1 2 3 4	
1	101850301	Screw, #12-16 X 0.50 Washer-Head Hi-Lo	2
2	102290120	Bolt, M10 X 20 Hex Washer Hd	1
3	103724503	Steering Wheel, Soft Grip, Hex	1
4	103724602	Cover, Steering Wheel, Generic	1
5	103829401	Logo, Cci, Steer Wheel	1

7
G
E

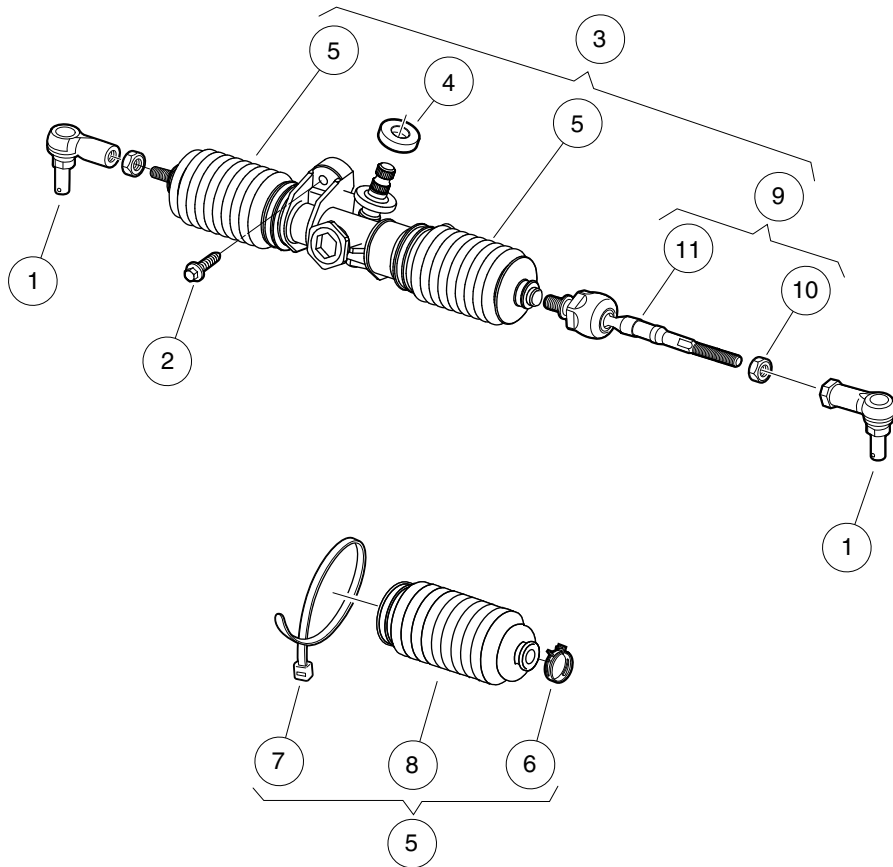


000469-007

STEERING COLUMN

ITEM	PART NO.	DESCRIPTION	QTY
		1 2 3 4	
1	102290120	Bolt, M10 X 20 Hex Washer Hd	1
2	102298116	Bolt, Flanged Head, M8 X 16.0	4
3	102298130	Bolt, Flange Head, M8 X 30.0	1
4	105049001	Kit, Inner Steering Clmn (includes item 5)	1
5	105068601	Asm, Column, Inner (includes item 6)	1
6	103810201	Kit, Lower Yoke, Wanda (includes item 7)	1
7	102298130	Bolt, Flange Head, M8 X 30.0	1

7
G
E



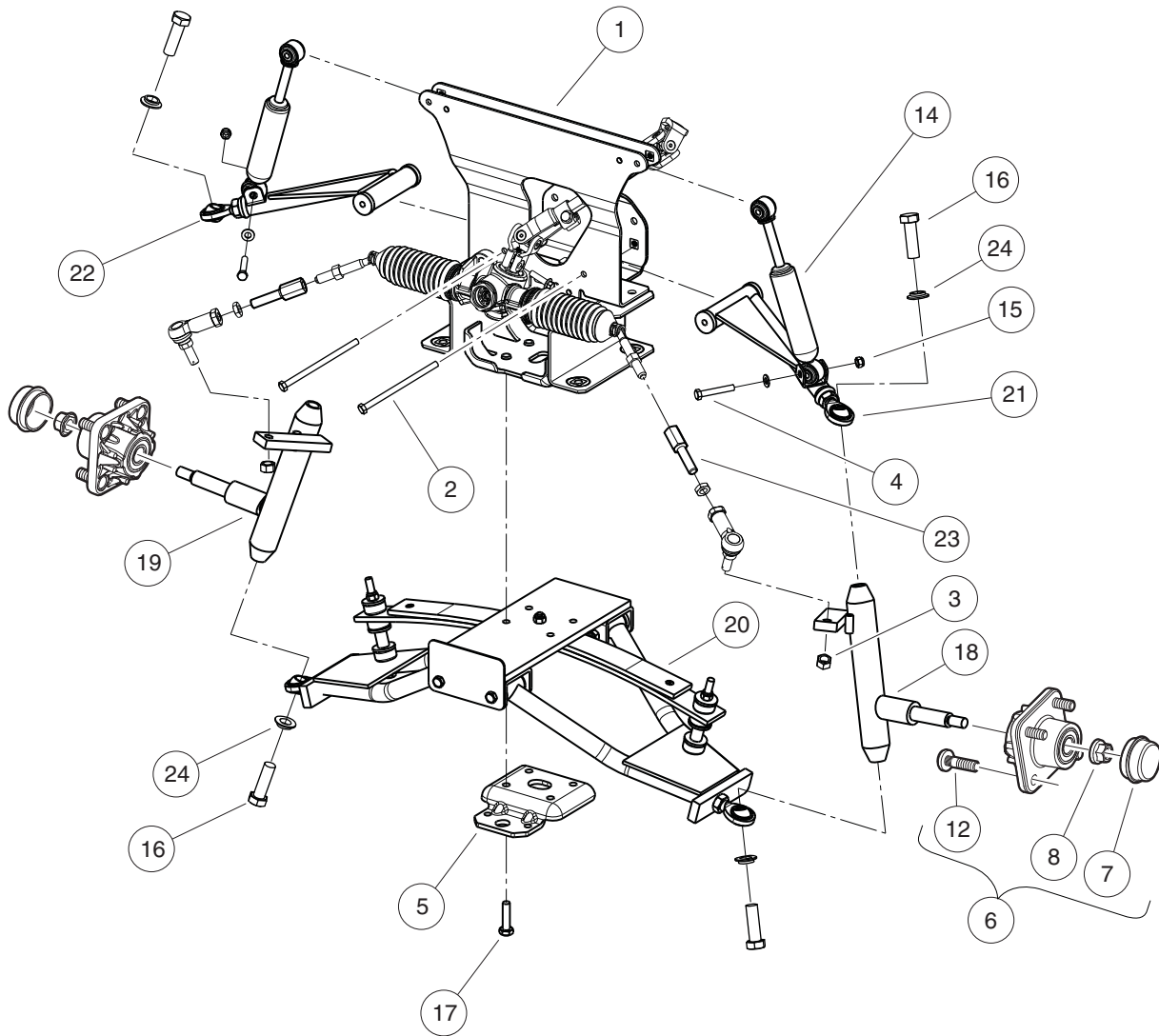
000476-005

STEERING GEAR ASSEMBLY

ITEM	PART NO.	DESCRIPTION	QTY
		1 2 3 4	
1	102022601	End, Tie Rod M12 X 1.25 Rh	2
2	102289001	Screw, M8X1.25X30, Hex	3
3	103679701	Asm, Rack & Pinion (includes items 4 through 9)	1
4	102565201	Seal, Dust, Steering Pinion	1
5	103826201	Bellow Kit, Steering-sona (includes items 6 through 8)	2
6	102566001	Clip, Steering	1
7	8990	Tie Wrap, 8" Nylon	1
8	N/A	Bellows	1
9	103826301	Kit, IBJ (Inner Ball Joint), Steering-sona (includes items 10 and 11)	2
10	1013042	Nut, 12mm Hex	1
11	N/A	Inner Ball Joint	1

7
G
E

7
G
E



001390-001

FRONT SUSPENSION, LIFTED

ITEM	PART NO.	DESCRIPTION	QTY
		1 2 3 4	
1	102287101	Assembly - Front Structure	1
2	102288901	Bolt, Hex, M8x1.25 X 135	2
3	102289201	Nut - Hex Locking, M12 X 1.25	2
4	102289401	Screw- Hex Cap, M8 X 1.25 X 45	4
5	102289801	Clamp - Leaf Spring	1
6	102357701	Replacement Kit, Front Hub (includes items 7 through 9)	2
7	102353201	Cap, Front Hub	1
8	102353301	Hex Nut, Locking Flange, M14x2	1
9	N/A	Asm, Front Hub, Bb, Long Stud (includes items 10 through 13)	1
10	N/A	Bearing, Ball, 6204	2
11	N/A	Spacer, Bearing, Front Hub, Pm	1
12	103477901	Lug Stud, 1/2-20 Unf, 4037	4
13	N/A	Front Hub, Ball Brg, Long Stud	1
14	102588601	Shock Absorber Front	2
15	102618601	Lock Nut, Flange, M8 X 1.25 Nylon	2
16	47566405001	Screw, Hex 5/8"-18 X 2" Gr5 Zn	4
17	47566411001	Screw, Hhf M10-1.5 X 50 Trilob	4
18	AM1289701	Spindle, Driver-side	1
19	AM1289801	Spindle, Passenger-side	1
20	AM1289901	Lower A-arm Assembly	1
21	AM1290001	A-arm Assembly, Driver-side	1
22	AM1290101	A-arm Assembly, Passenger-side	1
23	AM1290201	Tie Rod Extension	2
24	AM1290501	Washer, Tapered, 5/8"	4
		Note: Item 6 contains items 7 through 13. Detail items not shown for clarity.	

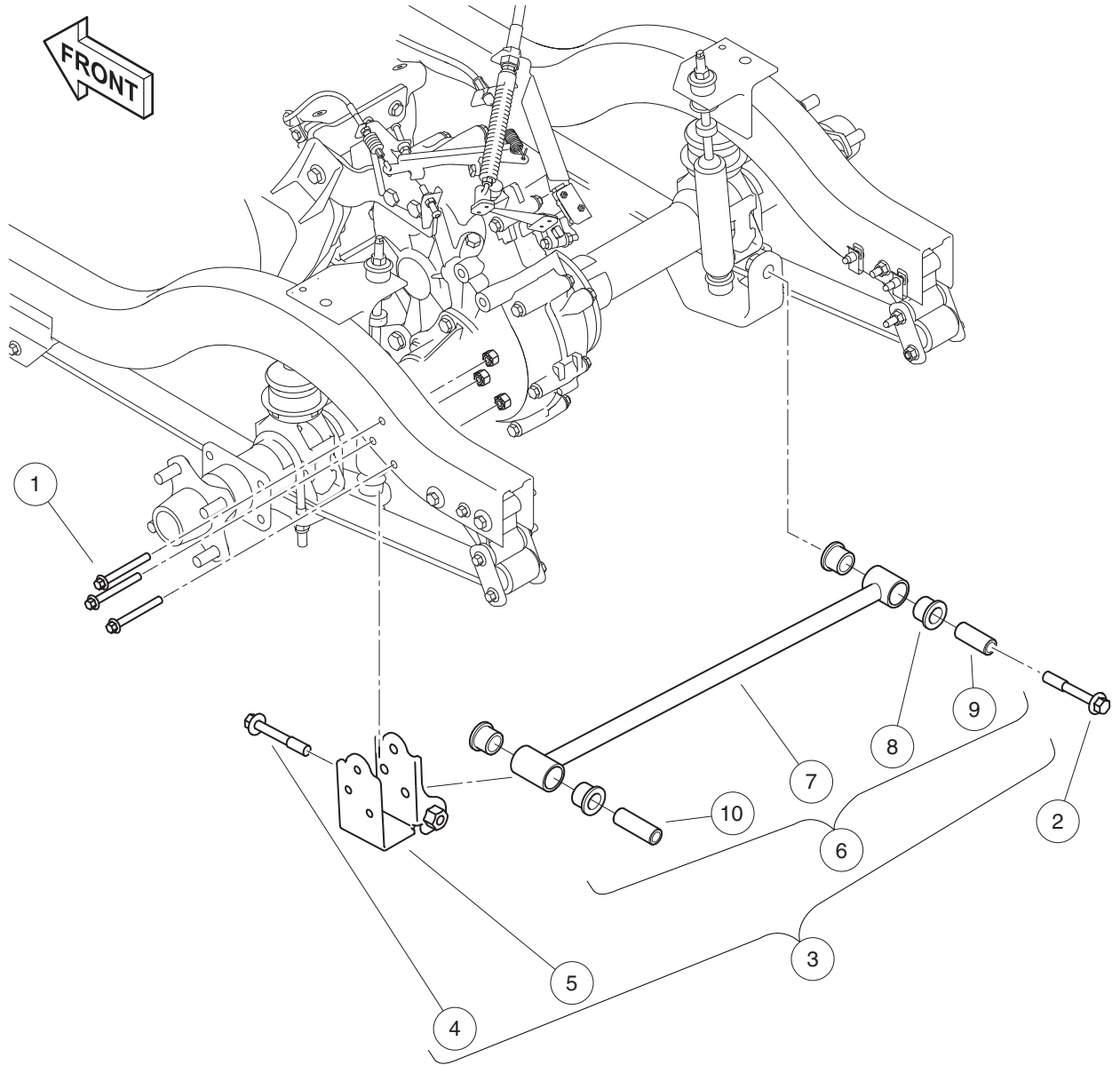
7
G
E

REAR SUSPENSION, LIFTED

ITEM	PART NO.	DESCRIPTION	QTY
		1 2 3 4	
1	N/A	Retainer, Shock Absorber Cushion	8
2	1010145	Nut, 3/8-24 Hex	4
3	102298175	Bolt - Flange Hd, M8 X 75.0	4
4	102298401	Nut,m8,all Metal Lock	4
5	102588501	Shock Absorber, Rear	2
6	102670701	Nut, Flange, M10 X 1.5 Nylon	8
7	103742304	Asm, Rear Leaf Spring, Std (includes items 8 through 10)	2
8	101558302	Bushing, Urethane, Soft	4
9	102506401	Sleeve - Spring Eye Mounts	2
10	N/A	Leaf Spring, Rear, Std	1
11	103742307	Asm, Rear Leaf Spring, HD (includes items 12 through 14)	2
12	101558302	Bushing, Urethane, Soft	4
13	102506401	Sleeve - Spring Eye Mounts	2
14	103742207	Leaf Spring, Rear, HD	1
15	105188185	Bolt, M8 X 85mm, 10.9 Grade	4
16	105188701	U-bolt, M10x1.5x58	4
17	47576196001	Bumper, Jounce, D-255828	2
18	47576197001	Bracket, Bumper, Jounce, Driver-side	1
19	47576198001	Bracket, Bumper, Jounce, Passenger-side	1
20	47576648001	Sleeve, Perch, Spring	4
21	47579096001	Isolator, Shock Damper	8
22	47603899001	Brkt, Perch, Spring, Lh	1
23	47603900001	Brkt, Perch, Spring, Rh	1

7
G
E

7
G
E



001392-001

PANHARD ROD

ITEM	PART NO.	DESCRIPTION	QTY
		1 2 3 4	
1	102298170	Bolt - Flange Hd, M8 X 70.0	3
2	103146501	Bolt, Flg, M12 X 1.75 X 80	1
3	47577865001	Assy, Panhard and Frame Rail Bracket (includes items 4 through 6)	1
4	103146501	Bolt, Flg, M12 X 1.75 X 80	1
5	47576649001	Bkt, Frame Rail, Panhard	1
6	47577864001	Asm, Rod, Panhard (includes items 7 through 10)	1
7	47576650001	Assy, Weldment, Panhard	1
8	47576651001	Bushing, Slip, 3390000-160802	4
9	47576652001	Sleeve, Bushing, Panhard, Short	1
10	47576652002	Sleeve, Bushing, Panhard, Long	1

7
G
E

7

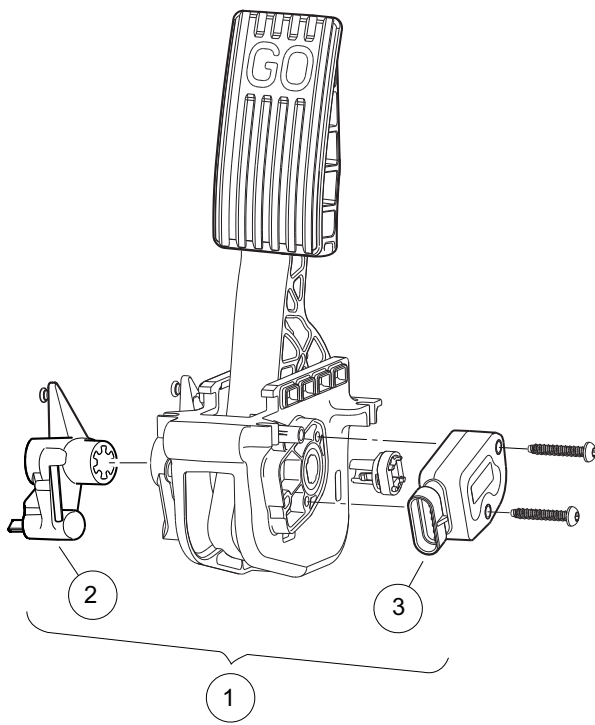
G

E

ELECTRICAL SYSTEM – ECH440

8

G



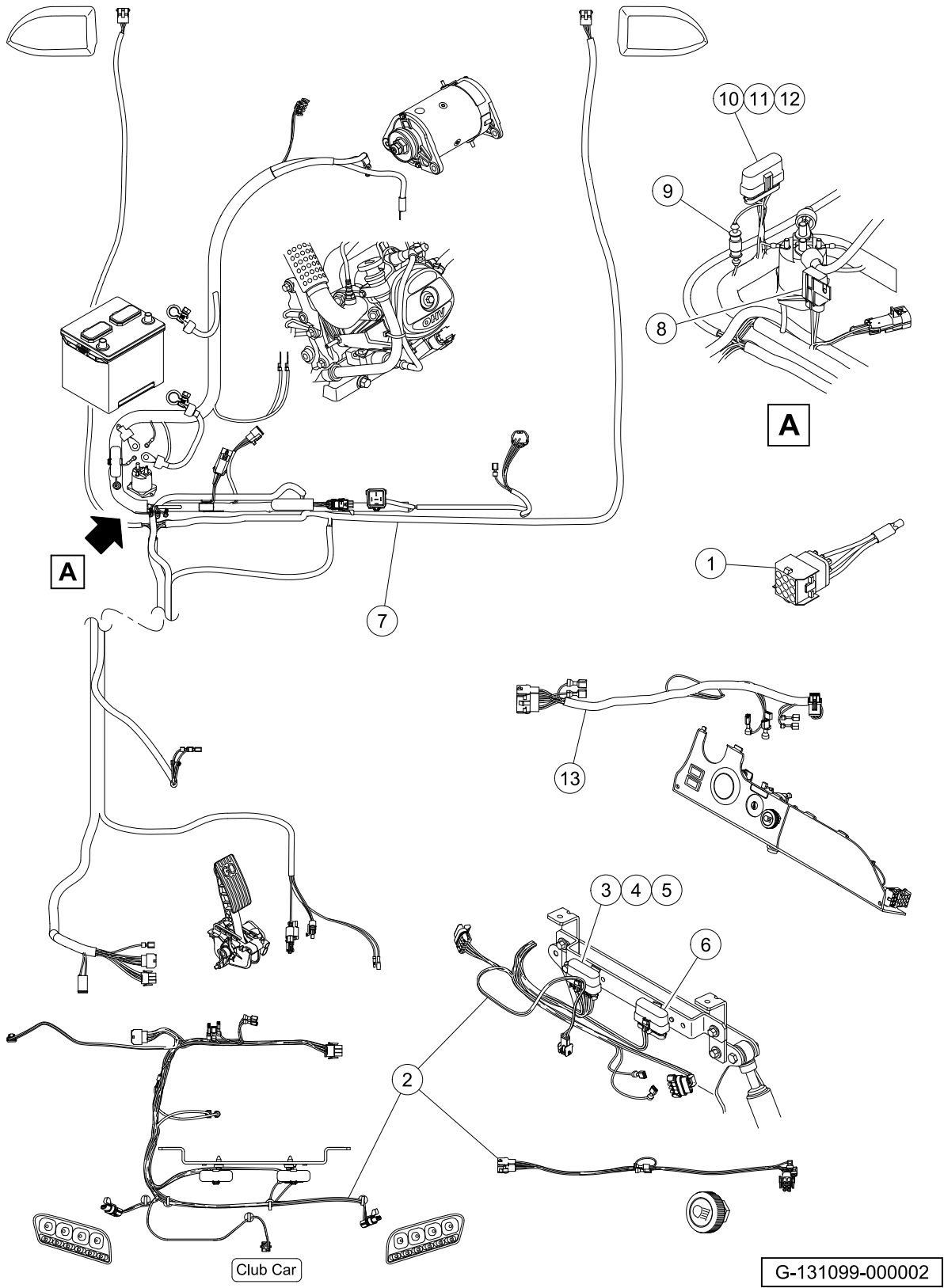
000487-012

ACCELERATOR PEDAL ASSEMBLY W/SENSOR – EFI

ITEM	PART NO.	DESCRIPTION	QTY
		1 2 3 4	
1	102595502	Asm, Accel. Pedal/Throttle, Anodized, Gas Vehicle (includes items 2 and 3)	1
2	103777601	Asm, Park Brake Release, Anodized	1
3	N/A	Throttle Sensor	1
<p>Note: For a complete Pedal Group, see section 5, Brakes and Pedal Group Assemblies.</p>			

8

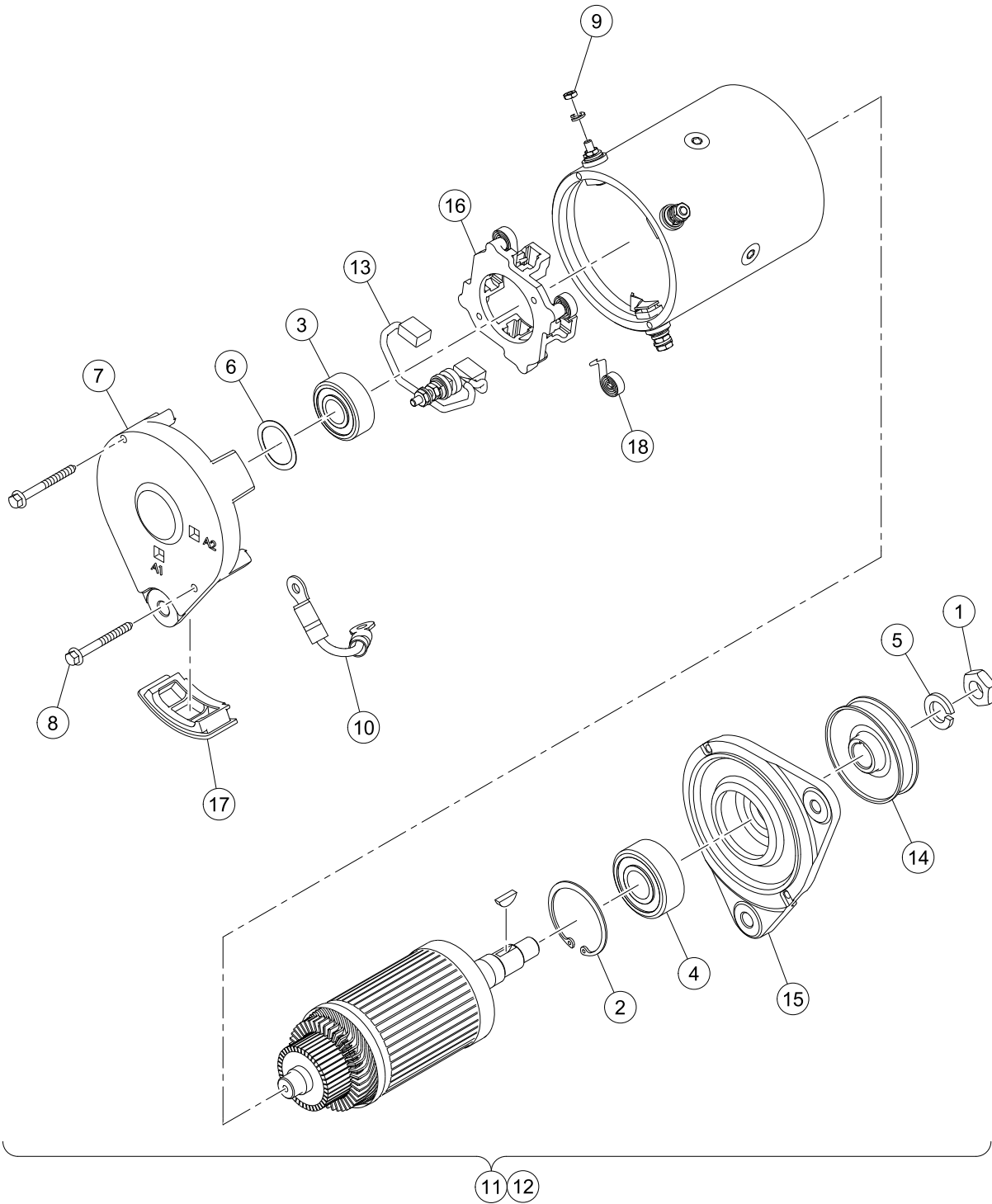
G



WIRING HARNESSES AND FUSES

ITEM	PART NO.	DESCRIPTION	QTY
		1 2 3 4	
1	105130201	Jumper, Horn, Asm	A/R
2	47562747002	Harness, Ip Lt, Jrny-csmr, Gas (includes items 3 through 6)	1
3	105114802	Fuse, Mini, Atm, 3 Amp	1
4	105114803	Fuse, Mini, Atm, 4 Amp	1
5	105114805	Fuse, Mini, Atm, 7.5 Amp	1
6	105114806	Fuse, Mini, Atm, 10 Amp	1
7	47612535001	Harness, Main, Gas, Prec, Ps (includes items 8 through 12)	1
8	1012295	Fuse, 10-Amp	1
9	103924801	Fuse, Glass, 2-Amp	1
10	105081501	Fuse, ATM, 5-Amp	1
11	105081601	Fuse, ATM, 10-Amp	1
12	105114808	Fuse, Mini, Atm, 20 Amp	1
13	47612537001	Harness, Ip, Gas, Prec, Com	1
		Note: Reference the engine ignition section for information on the ECU wiring harness.	

8
G

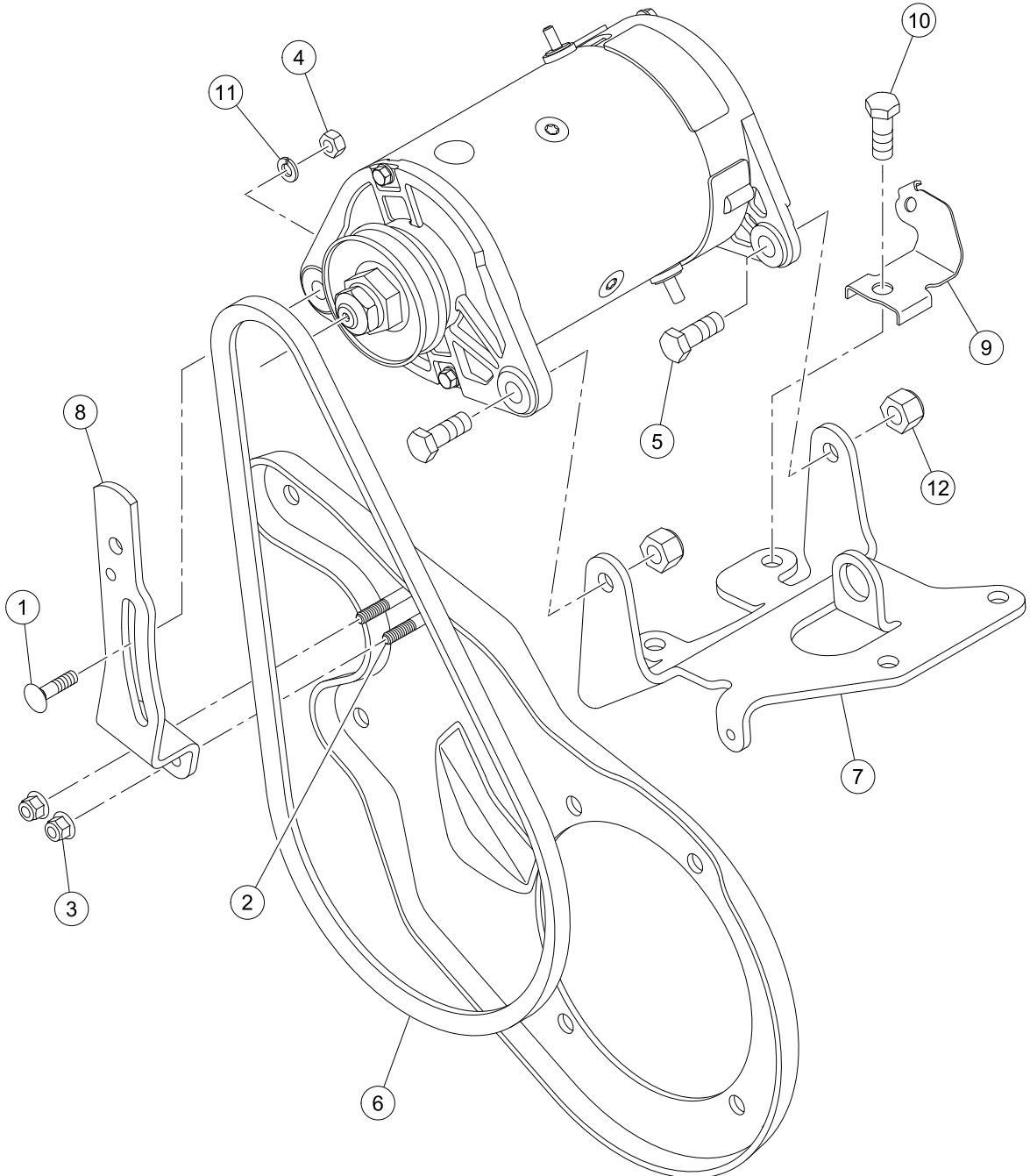


G-130199-000001

STARTER/GENERATOR, KEY AND PEDAL START – EFI

ITEM	PART NO.	DESCRIPTION	QTY
		1 2 3 4	
1	102838701	Nut, Hex, M14x2, S/G	1
2	102838801	Retainer, Front, S/G	1
3	102838901	Bearing, Ball, Rear, S-g	1
4	102839001	Bearing, Ball, Front, S-g	1
5	102839301	Washer, Lock M14x2, S-g	1
6	102841101	Washer, Wave, S-g	1
7	103347601	Head, Comm End, S-g	1
8	103347701	Set, Fast, Ceh Deh, S-g	1
9	103347801	Set, Term Hardware, S/G	1
10	105161701	Wire, 4-Ga, Green, Starter/Generator	1
11	47559475001	Starter Generator, Ps	1
12	47559475002	Starter Generator, Ks	1
13	47583000001	Set, Brush Term, S-g	1
14	47583790001	Pulley, Starter-generator	1
15	47583791001	Head, Drive End, S-g	1
16	47583794001	Kit, Brush And Brush Holder	1
17	47584178001	Kit, Cover, Brush Insp, S-g	1
18	47584179001	Kit, Spring Brush, S-g	1

8
G



G-130199-00002

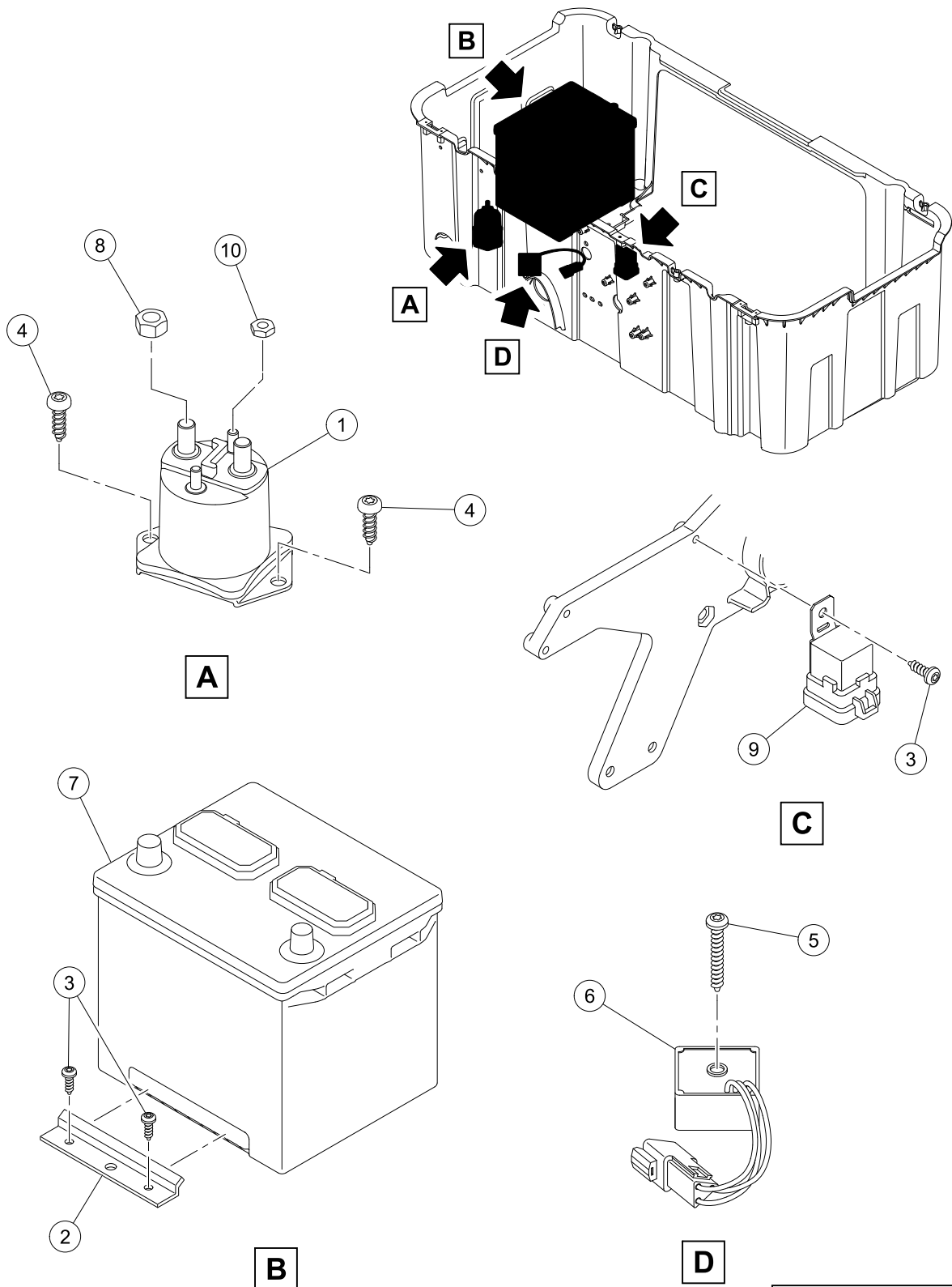
STARTER/GENERATOR MOUNTING – ECH440

ITEM	PART NO.	DESCRIPTION	QTY
		1 2 3 4	
1	1015932	Bolt, Carriage, 5/16-18	1
2	102541401	Bolt-m6x1.0x20 Hex Flhd Blk-I	2
3	102621501	Nut, Flange, M6 X 1.0, Nylon	2
4	1242	Nut, 5/16-18 Hex	1
5	1624	Screw, 3/8-16 X 1.50, Hex-Head Cap	2
6	47539338002	Belt, Sg, Ech440, #5a	1
7	47611868001	Bracket, Mounting, S/g	1
8	47611869001	Bracket, Tensioner, S/g	1
9	47611870001	Bracket, Mtg, Gov Cable Clip	1
10	47617345001	Screw, M8-1.25x20, Hex Hd Flg	4
11	7174	Lockwasher, 5/16 Split	1
12	8754	Locknut, 3/8-16 Hex	2

8

G

8
G



G-130799-000002

BATTERY, SOLENOID, VOLTAGE REGULATOR, RELAY – EFI

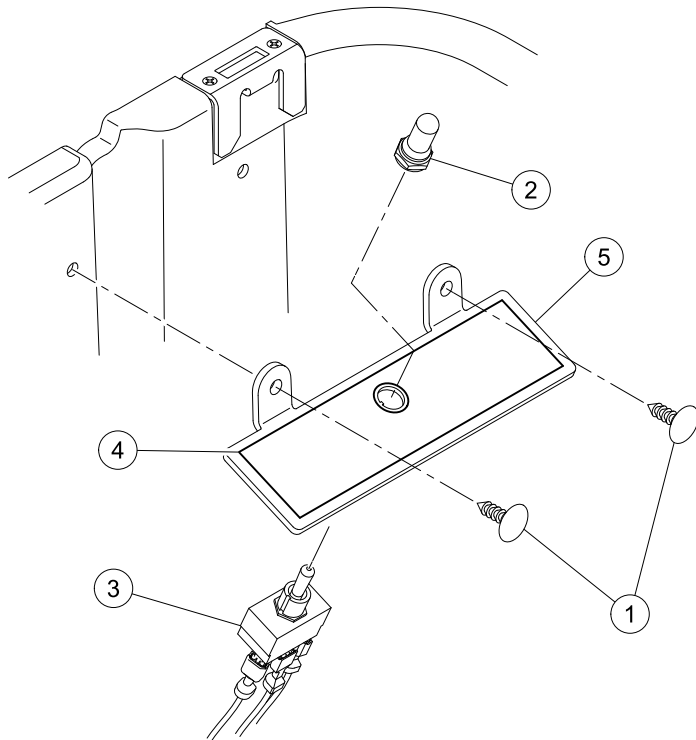
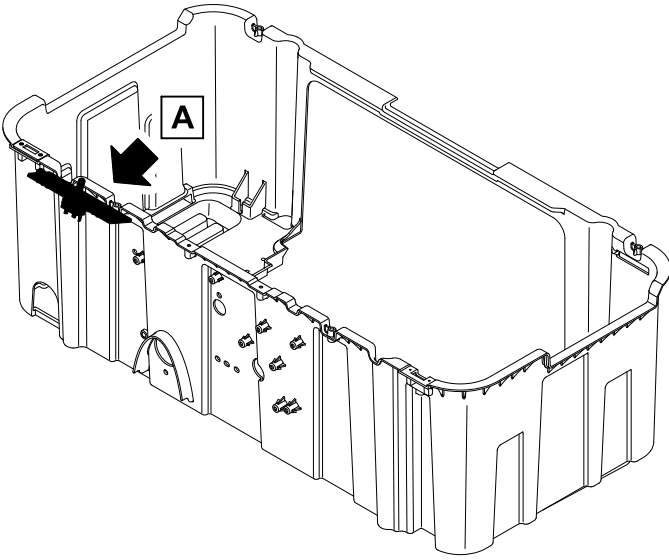
ITEM	PART NO.	DESCRIPTION	QTY
		1 2 3 4	
1	1013609	Solenoid, 12-Volt	1
2	101898001	Clamp, Battery	1
3	N/A	Screw-torx Pan Hd Pt,m6 X 16	1
4	102296020	Screw, Torx Pan Hd Pt, M6 X 20	4
5	102296040	Screw, Torx Pan Hd Pt, M6 X 40	1
6	102803301	Asm, Voltage Regulator	1
7	105237399	Battery, Start, 12v, G 26, Sp	1
8	1242	Nut, 5/16-18 Hex	2
9	47623281001	Relay, Mini 630 Spdt,40a/30a	1
10	7893	Nut, #10-32 Hex	2

8

G

8

G



A

G-130499-000004

MAINTENANCE/OPERATE SWITCH

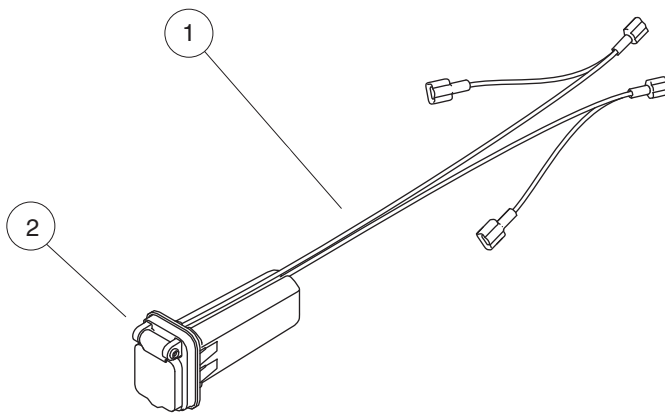
ITEM	PART NO.	DESCRIPTION	QTY
		1 2 3 4	
1	1010434	Barrel - Plastic	2
2	101908401	Boot, Switch	1
3	103198401	Switch, Toggle, SPDT	1
4	103205501	Decal, Maintenance/Operate Switch	1
5	47645493001	Bracket, Run and Maintenance Switch	1

8

G

8

G



001286-002

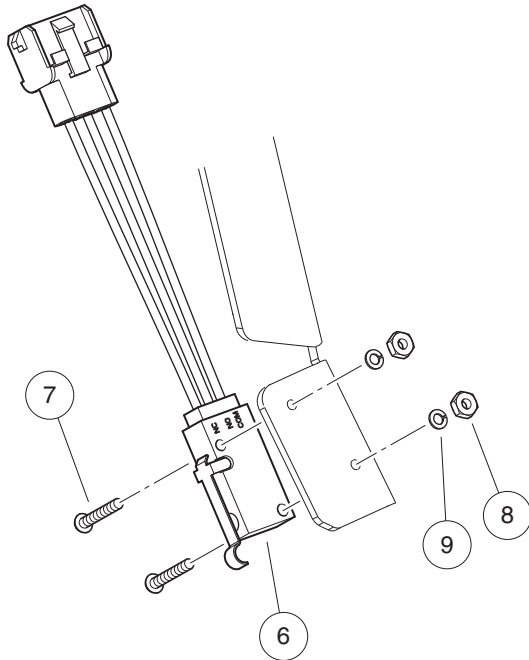
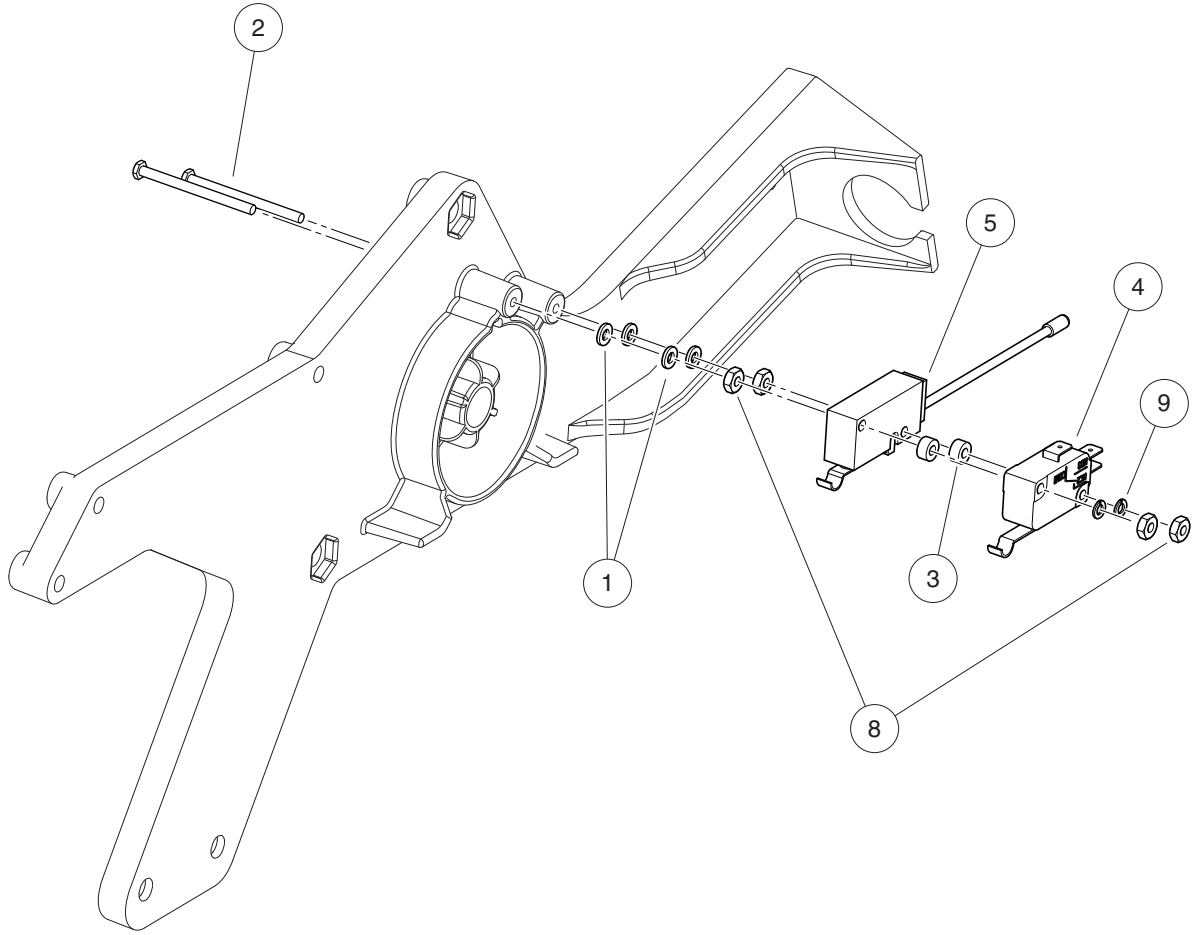
USB PORT KIT FOR GAS VEHICLES

ITEM	PART NO.	DESCRIPTION	QTY
1	47604229001	1 2 3 4 Kit, Usb, Gas (includes item 2)	1
2	47587715001	Usb, 12v	1

8

G

8
G



001013-001

FORWARD/REVERSE SHIFTER SWITCHES – EFI

ITEM	PART NO.	DESCRIPTION	QTY
		1 2 3 4	
1	1012431	Washer, #4 Flat	4
2	1012594	Screw, #4-40 Machine	2
3	1014727	Washer, Flat, #4, Nylon	2
4	1014807	Switch, Limit	1
5	101979101	Switch, Limit, Assembly, Sealed	1
6	105102601	Switch, Limit, Sealed, with 3-Wire Lead	1
7	8056	Screw, #4-40 X 0.75 Round-Head Machine	2
8	8057	Nut, #4-40 Hex Machine	6
9	8058	Lockwasher, #4 Split	4
Note: Item 5 is located on the shifter. Item 6 is located on the transaxle.			

8

G

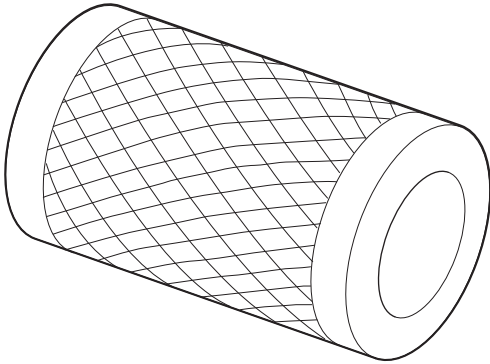
8

G

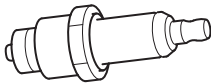
ENGINE (KOHLER ECH440)

9

G



1



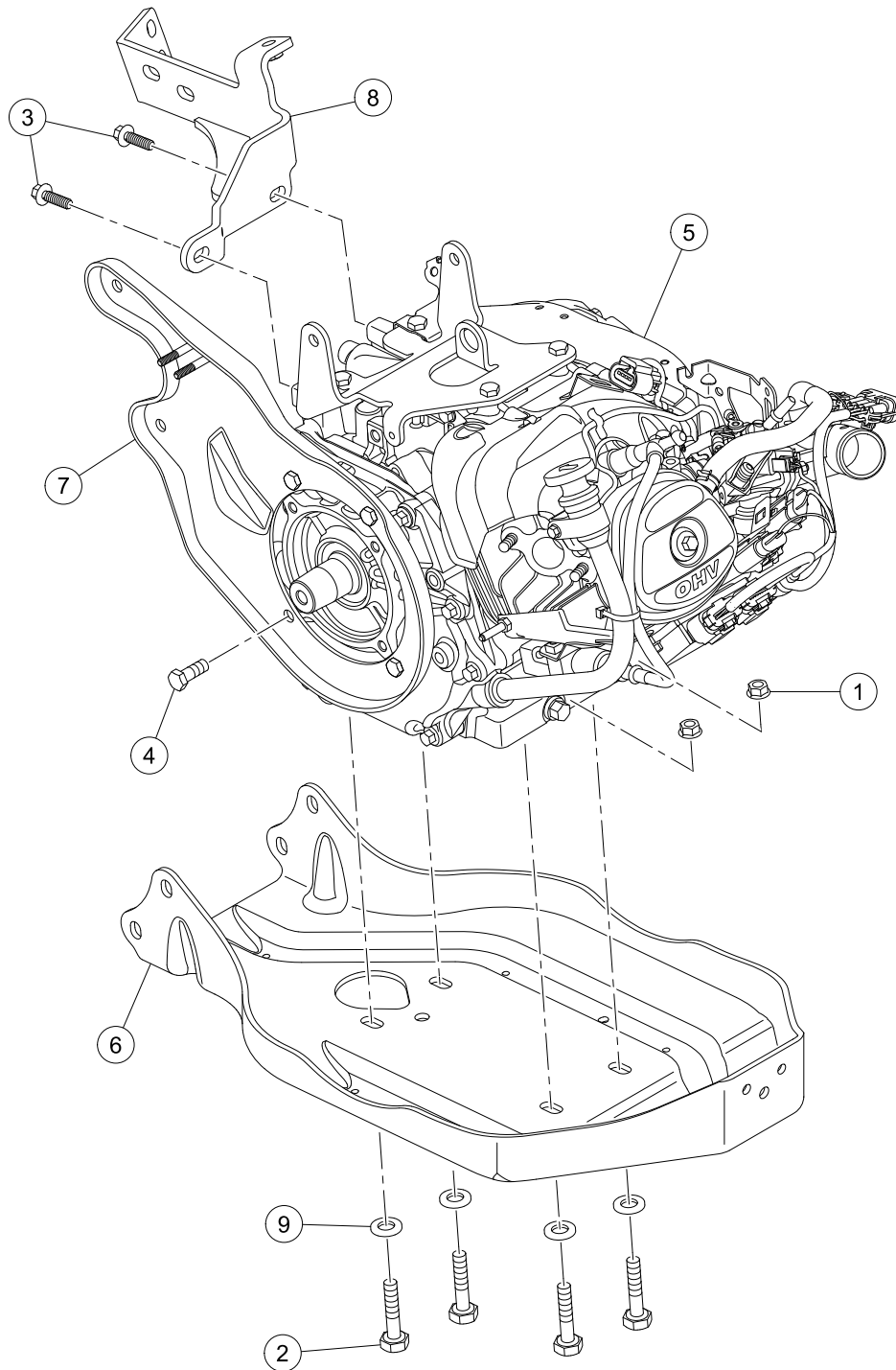
2

000992-003

TUNE-UP PARTS

ITEM	PART NO.	DESCRIPTION	QTY
1	102558201	1 2 3 4 Air Filter, 4 Inch	1
2	47640281001	Plug, Spark, Kohler	1

9
G



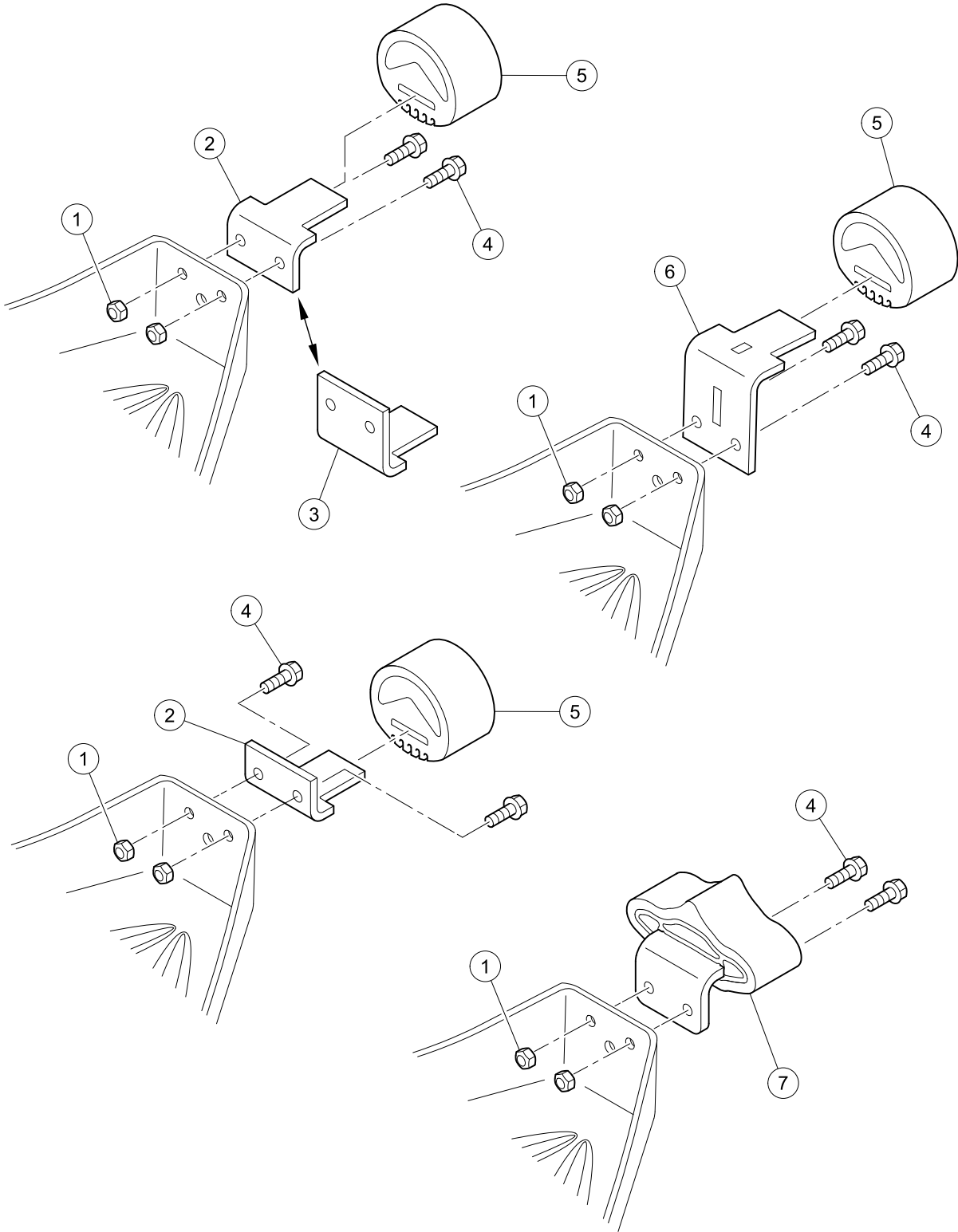
G-110199-000002

ENGINE AND ENGINE MOUNTING

ITEM	PART NO.	DESCRIPTION	QTY
		1 2 3 4	
1	102617201	Nut, Flanged, M10 X 1.5, Mechanically Deformed	4
2	102732401	Bolt, M10 X 45, Zn-Ni (Black)	4
3	103262201	Bolt Flg Blk, M8 X 25, Loctite	2
4	103508101	Bolt, 3/8-16 X .75 Lock Patch	4
5	47598099001	Engine, Gas, Ech440	1
6	47611483001	Plate, Mtg, Engine/axle, Pan	1
7	47611484001	Plate, Mtg, Engine/axle, Cvt	1
8	47611648001	Weldment, Mtg, Exhaust	1
9	96741046	Washer, M10, Hard	4

9

G



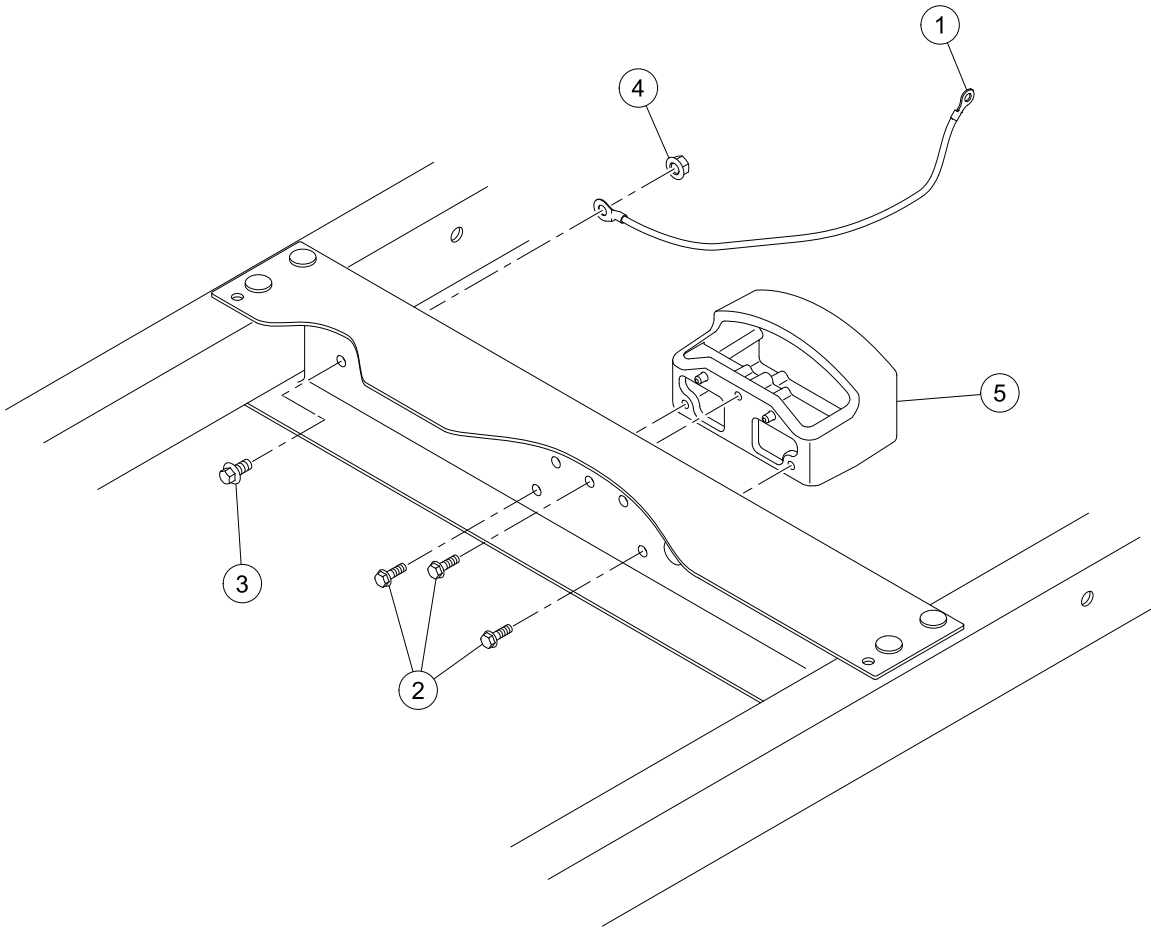
G-010299-000001

ENGINE PAN AND SNUBBER MOUNTING

ITEM	PART NO.	DESCRIPTION	QTY
		1 2 3 4	
1	1013924	Nut, 5/16-24, Hex Head Cone	2
2	101834601	Bracket, Snubber	1
3	101834602	Bracket, Snubber, Tall	1
4	101884801	Screw, 5/16-24 X 0.875, Grade-8	2
5	102540301	Snubber, Inner Frame	1
6	47564890001	Bracket, Snubber, Csmr, Lifted	1
7	47587701001	Asm, Dual Snubber (includes items 8 and 9)	1
8	47583795001	Bracket, Dual Snubber	1
9	47584184001	Snubber, Dual	1
<p style="margin-left: 40px;">Note: Items 8 and 9 are not illustrated.</p>			

9

G

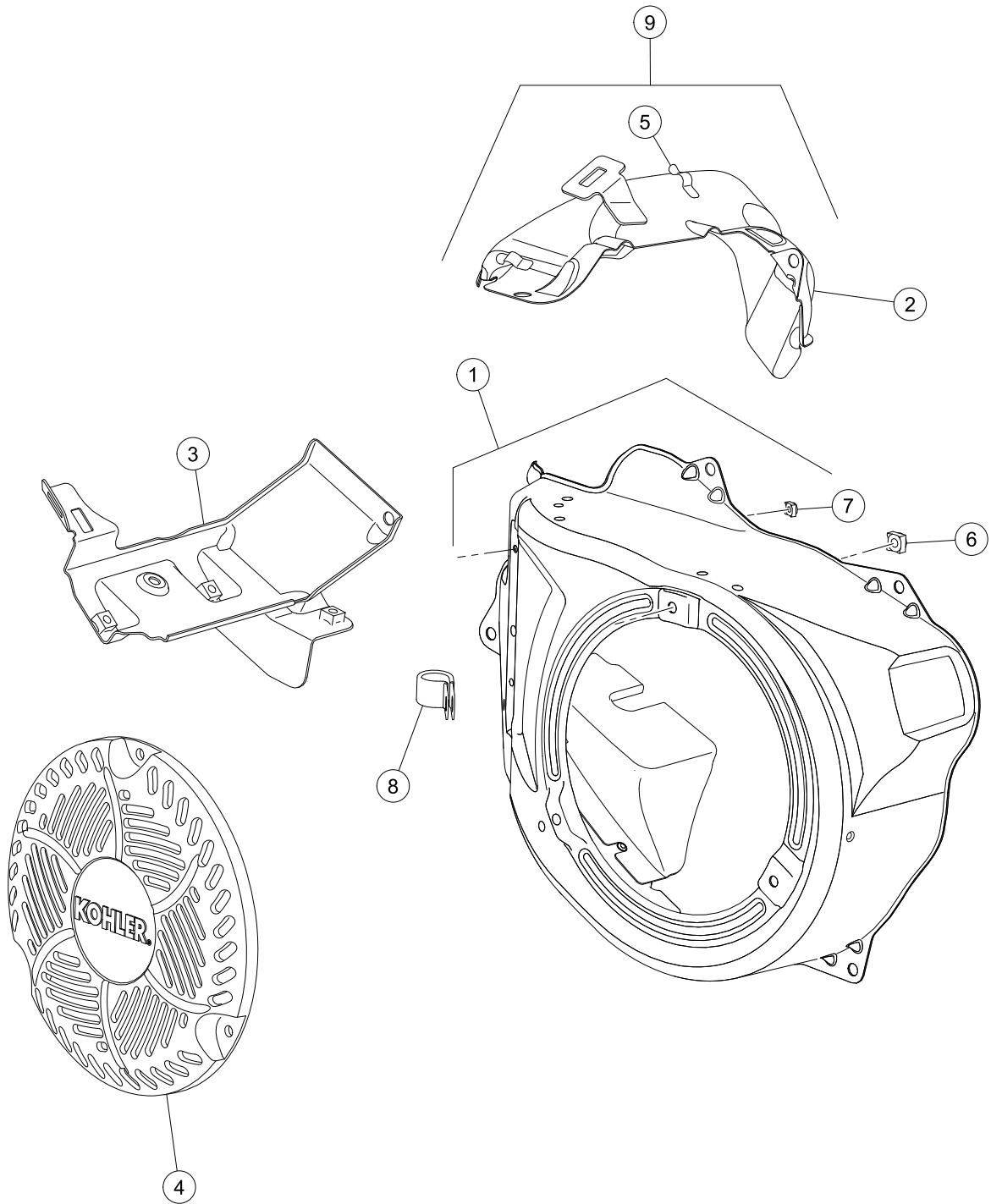


G-010299-000002

SNUBBER HOUSING AND GROUND WIRE

ITEM	PART NO.	DESCRIPTION	QTY
		1 2 3 4	
1	1015332	Wire, Ground, #10, Uninsulated	1
2	102296720	Screw, M6 X 20 Tt Hx Fl Hd	3
3	102298116	Bolt, Flanged Head, M8 X 16.0	1
4	102298401	Nut, M8, All Metal Lock	1
5	102512501	Housing, Snubber	1

9
G



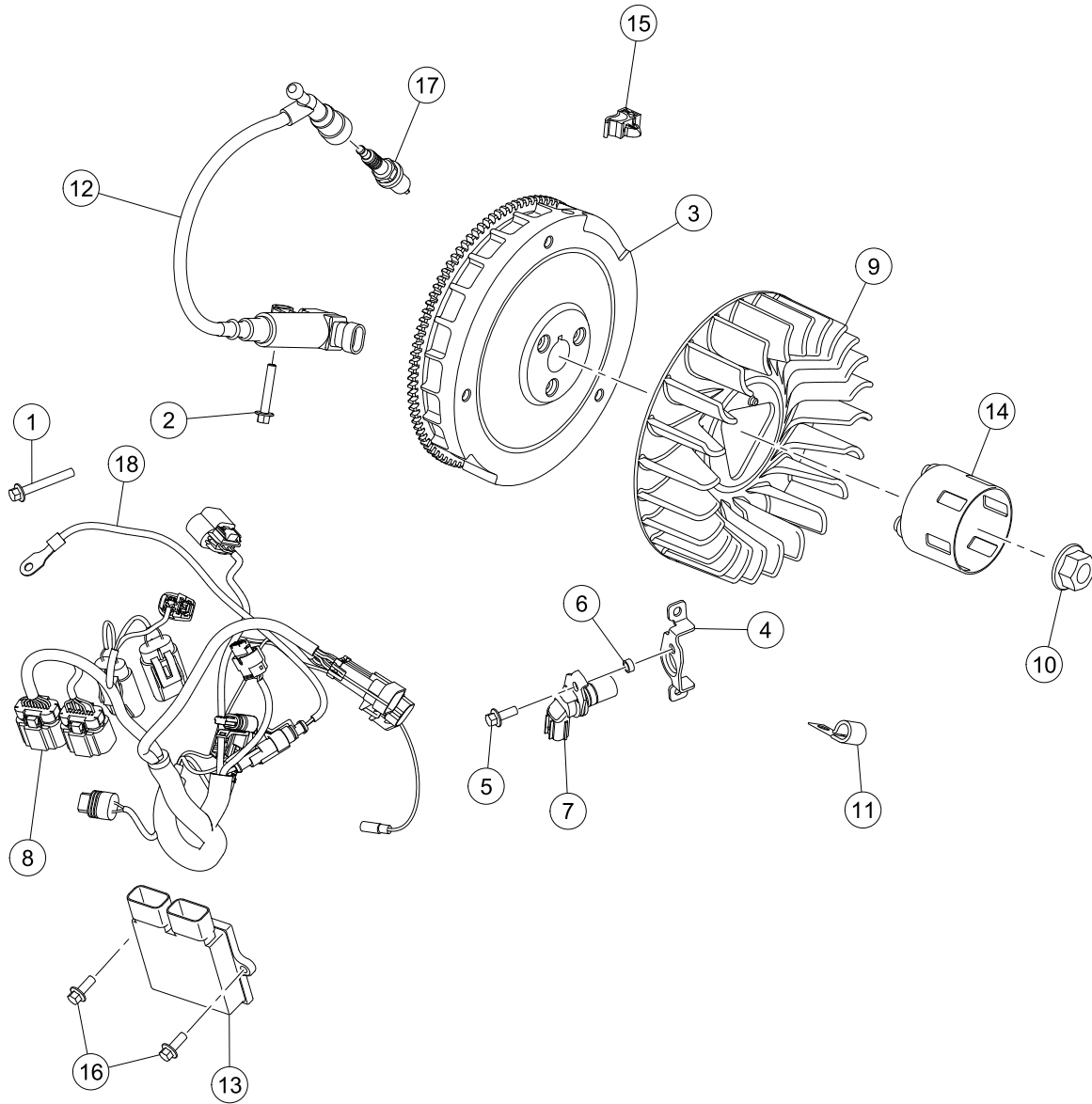
G-040899-000001

BLOWER HOUSING AND HEAT SHIELD – ECH440

ITEM	PART NO.	DESCRIPTION	QTY
		1 2 3 4	
1	47629844001	Kit, Blower Housing, Kohler	1
2	47629845001	Shield, Upper Heater, Kohler	1
3	47629846001	Shield Assembly, Cylinder, Koh	1
4	47629847001	Screen, Blower Housing, Kohler	1
5	47629848001	Clip, Wire, Kohler	2
6	47629851001	Nut, Blower Housing (cky), Koh	1
7	47629853001	Nut, Blower Housing (cky), Koh	1
8	47629855001	Clamp, Insulator, Kohler	1
9	47629856001	Assembly, Heat Shield, Kohler	1

9

G



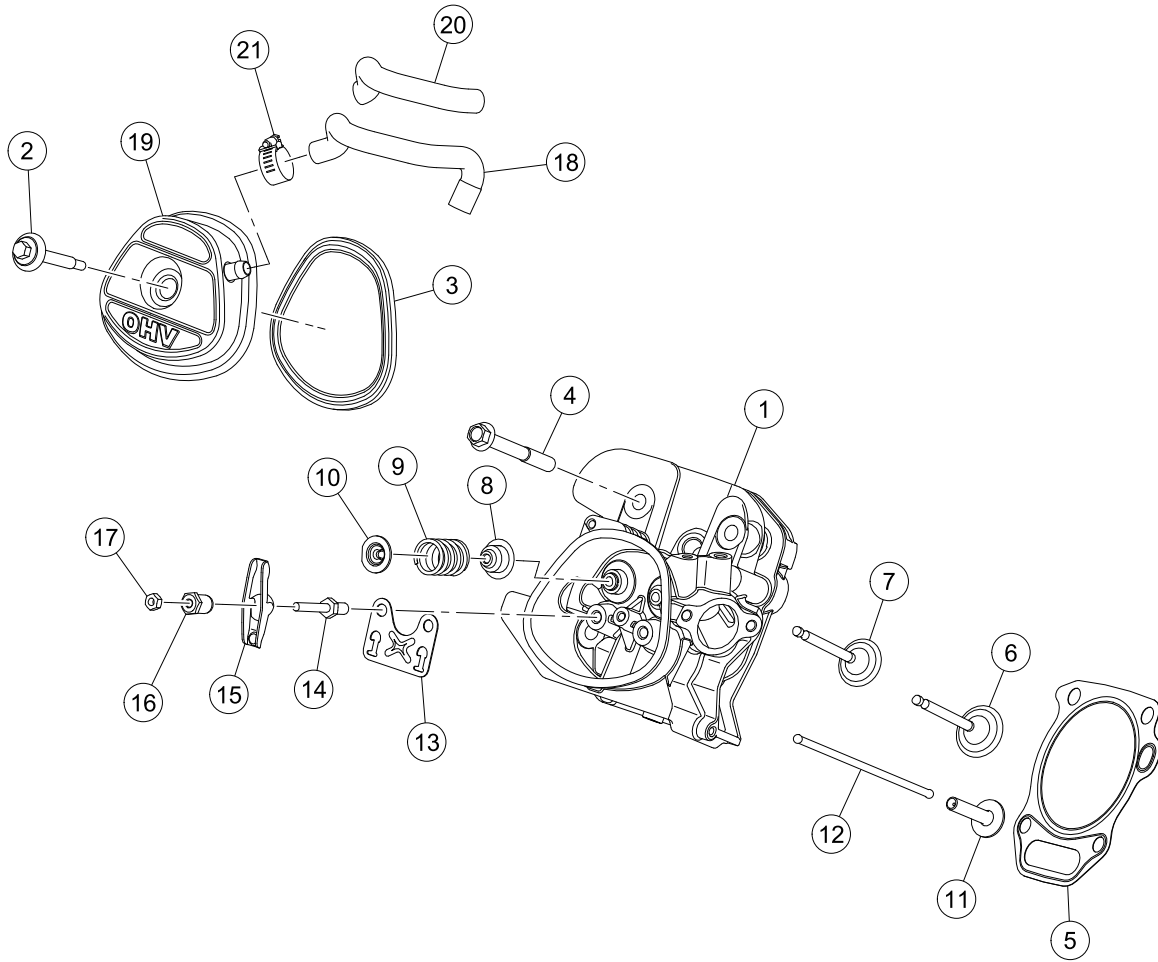
G-040799-000001

IGNITION COMPONENTS AND FLYWHEEL – ECH440

ITEM	PART NO.	DESCRIPTION	QTY
		1 2 3 4	
1	47629702001	Screw, Hex Flange (m6), Kohler	3
2	47629702001	Screw, Hex Flange (m6), Kohler	1
3	47629826001	Flywheel Assy, Electric Start	1
4	47629828001	Bracket, Crank Sensor, Kohler	1
5	47629831001	Screw, Hex Flange, Kohler	1
6	47629832001	Spacer, Kohler	1
7	47629833001	Sensor, Speed, Kohler	1
8	47629834001	Harness, Wiring Assy, Kohler	1
9	47629835001	Fan, Flywheel, Kohler	1
10	47629836001	Nut, Flywheel, Kohler	1
11	47629837001	Clip, Cable, Kohler	1
12	47629838001	Coil, Ignition-efi, Kohler	1
13	47629839001	Module, Ecu, Kohler	1
14	47629841001	Cup, Starter Drive, Kohler	1
15	47629843001	Clip, Wiring Harness, Kohler	1
16	47640021001	Screw, M6x16, Kohler	2
17	47640281001	Plug, Spark, Kohler	1
18	47650647001	Sensor, Temperature	1

9

G

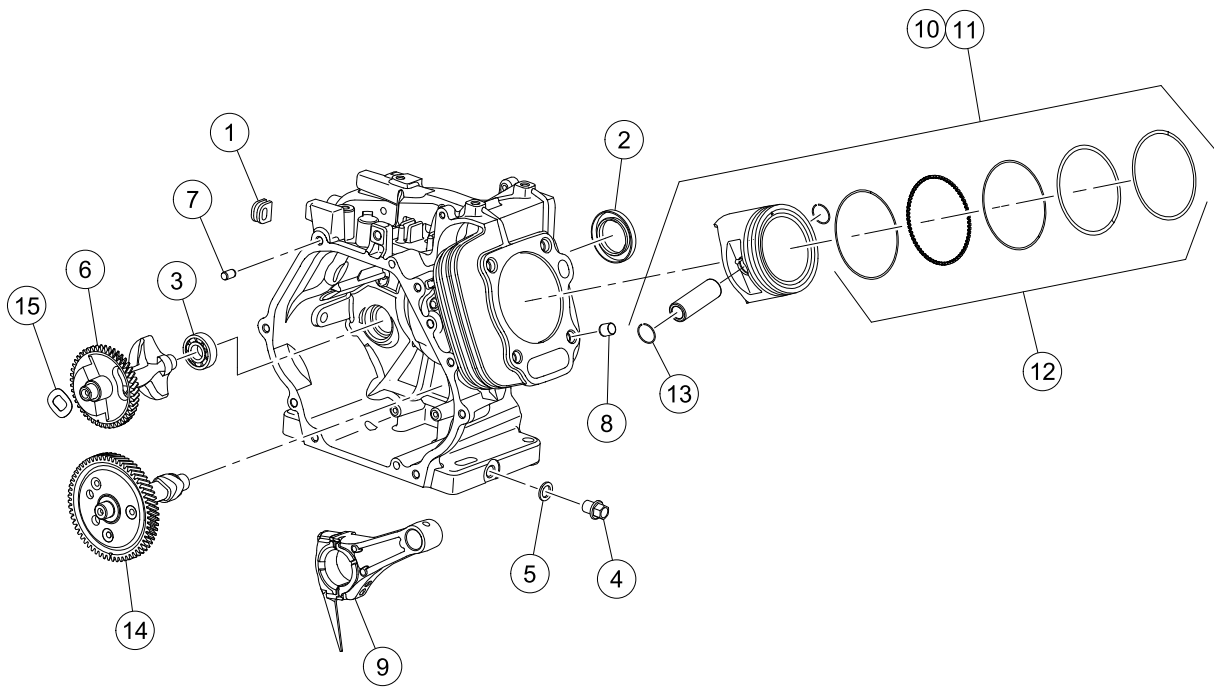


G-040599-000001

CYLINDER HEAD AND VALVE – ECH440

ITEM	PART NO.	DESCRIPTION	QTY
		1 2 3 4	
1	47629711001	Assembly, Cylinder Head, Kohle	1
2	47629714001	Screw, Valve Cover Seal Assy,	1
3	47629716001	Gasket, Valve Cover, Kohler	1
4	47629717001	Screw, Hex Flange Cylinder Hea	4
5	47629718001	Kit, Head Gasket, Kohler	1
6	47629719001	Valve, Intake, Kohler	1
7	47629720001	Valve, Exhaust, Kohler	1
8	47629722001	Seal, Valve Stem, Kohler	2
9	47629723001	Spring, Valve, Kohler	2
10	47629724001	Retainer, Valve Spring, Kohler	2
11	47629725001	Lifter, Valve, Kohler	2
12	47629726001	Rod, Push, Kohler	2
13	47629727001	Plate, Pushrod Guide, Kohler	1
14	47629728001	Stud, Rocker, Kohler	2
15	47629729001	Arm, Rocker, Kohler	2
16	47629730001	Pivot, Rocker Arm, Kohler	2
17	47629768001	Nut, Hex Jam, Kohler	2
18	47629822001	Hose, Breather, Kohler	1
19	47629823001	Valve Cover Assembly, Kohler	1
20	47629824001	Sleeve, Anti Abrasion, Kohler	1
21	47629825001	Clamp, Hose, Kohler	1

9
G



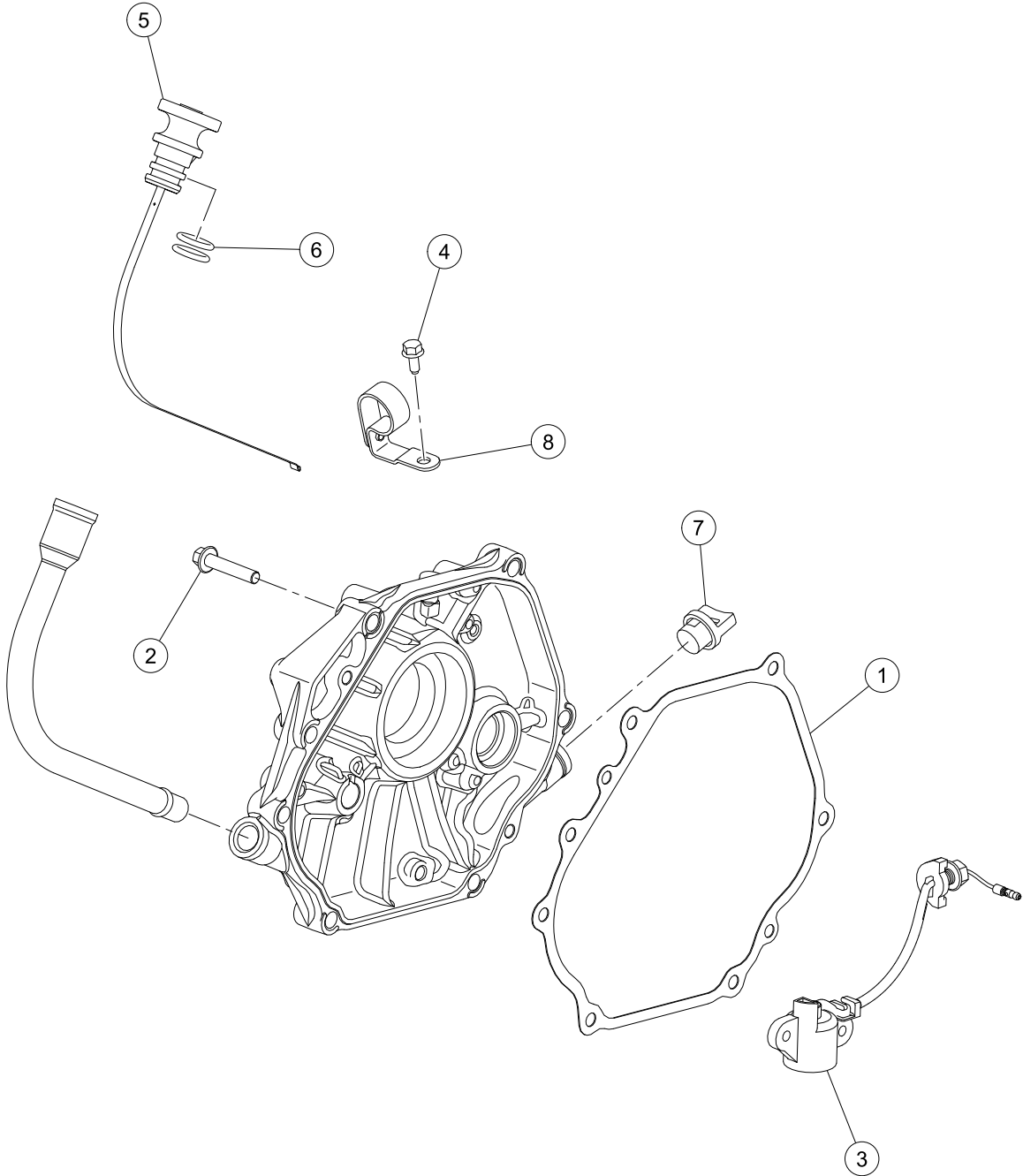
G-040399-000001

CRANKCASE AND PISTON – ECH440

ITEM	PART NO.	DESCRIPTION	QTY
		1 2 3 4	
1	47629677001	Grommet, Crankcase,kohler	1
2	47629680001	Seal, Crankcase, Kohler	2
3	47629682001	Bearing, Balancing Shaft, Kohl	2
4	47629685001	Kit, Drain Plug, Kohler	2
5	47629686001	Washer, Drain Plug, Kohler	2
6	47629687001	Shaft, Balance, Kohler	1
7	47629688001	Pin, Dowel, Kohler	2
8	47629689001	Pin, Dowel Cylinder Head, Kohl	2
9	47629690001	Rod, Connecting Assembly,kohle	1
10	47629691001	Kit, Piston Wing Set (std), Ko	1
11	47629693001	Kit, Piston (0.25 O.s.), Kohle	1
12	47629694001	Ring Set, Kohler	2
13	47629696001	Retainer, Piston, Kohler	2
14	47629697001	Camshaft Assembly, Kohler	1
15	47629698001	Spring, Wave, Kohler	1

9

G



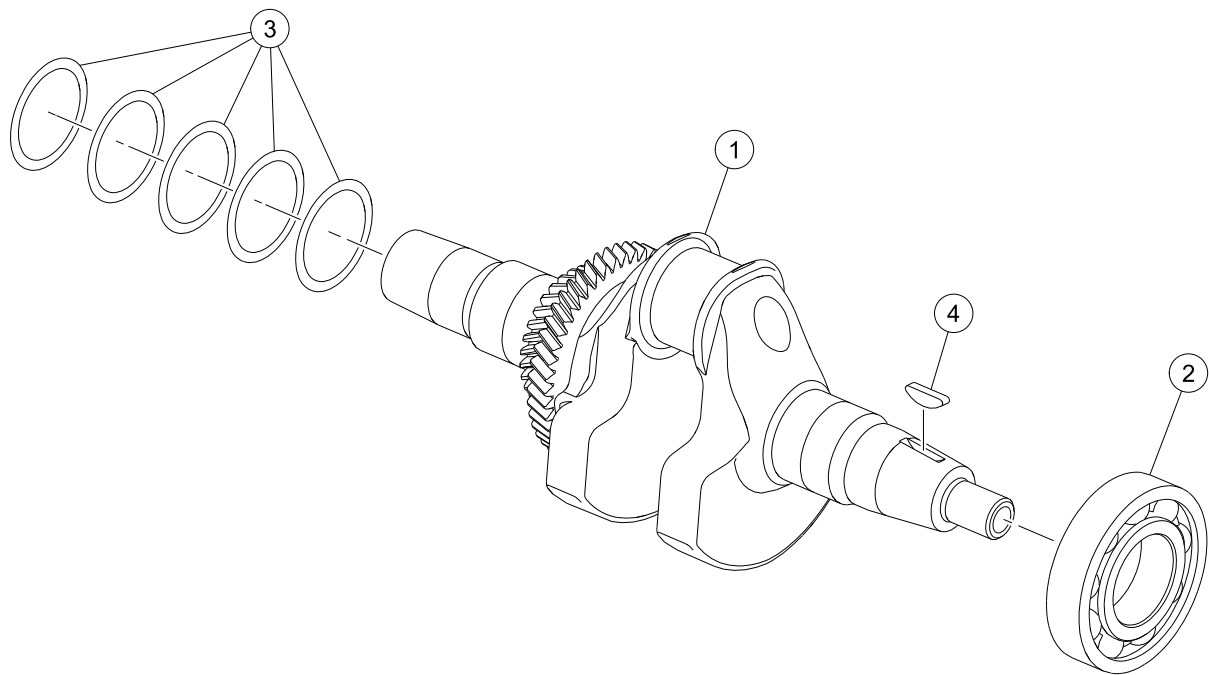
G-040699-000001

OIL SENSOR AND LUBRICATION – ECH440

ITEM	PART NO.	DESCRIPTION	QTY
		1 2 3 4	
1	47629699001	Gasket, Closure Plate, Kohler	1
2	47629700001	Screw, Closure Plate, Kohler	7
3	47629701001	Switch, Oil Sensor Assembly, K	1
4	47629702001	Screw, Hex Flange (m6), Kohler	18
5	47629703001	Dipstick, Assembly, Kohler	1
6	47629705001	O-ring, Dipstick Cap, Kohler	2
7	47629707001	Cap Assy, Oil Fill, Kohler	1
8	47629709001	Bracket, Dipstick Tub, Kohler	1

9

G



G-040299-000001

CRANKSHAFT – ECH440

ITEM	PART NO.	DESCRIPTION	QTY
		1 2 3 4	
1	47629583001	Crankshaft Assembly, Kohler	1
2	47629585001	Bearing, Crankshaft, Kohler	2
3	47629588001	Kit, Shims, Kohler	5
4	47629589001	Key, Flywheel, Kohler	1

9

G

9

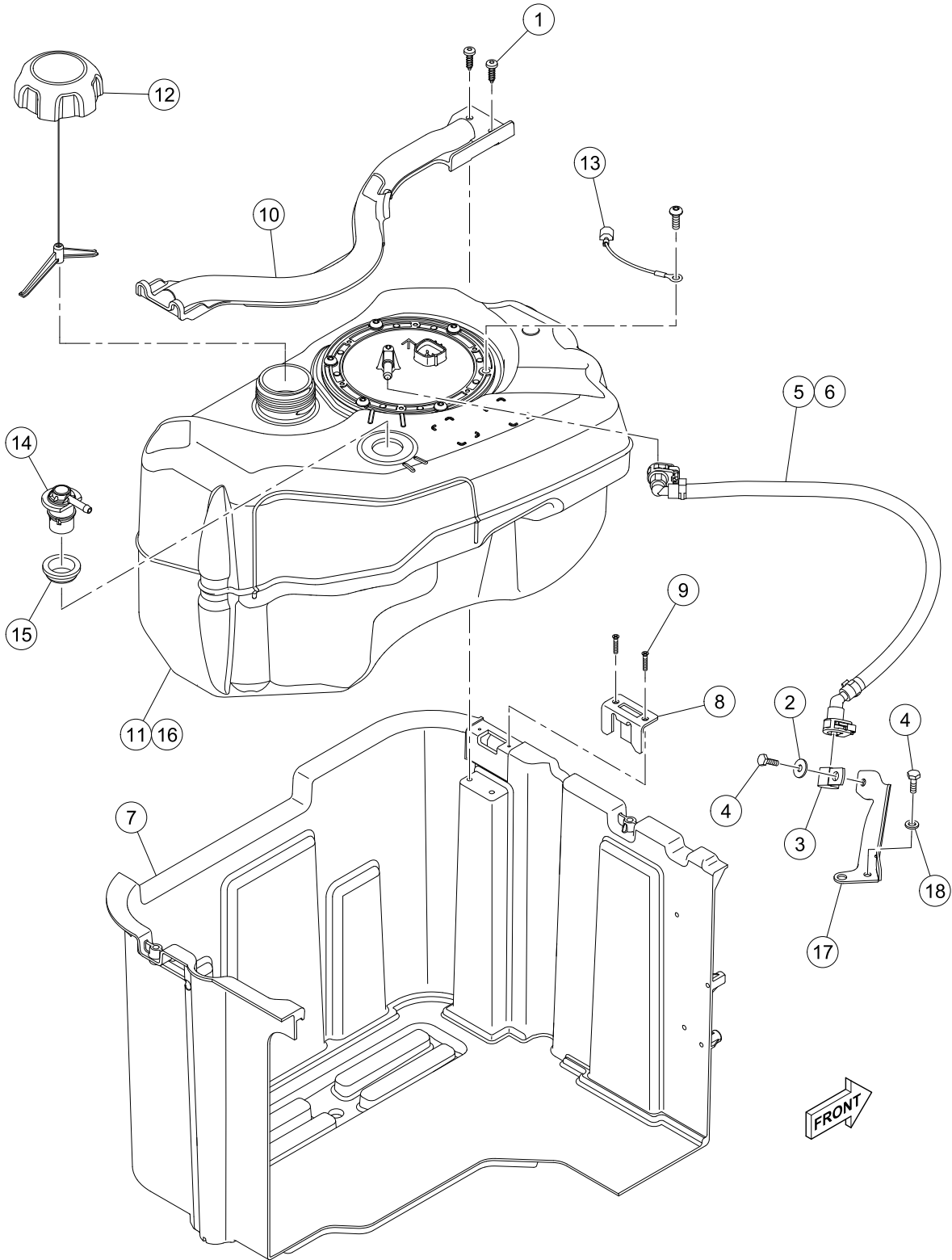
G

FUEL SYSTEM – EFI

10

G

10
G

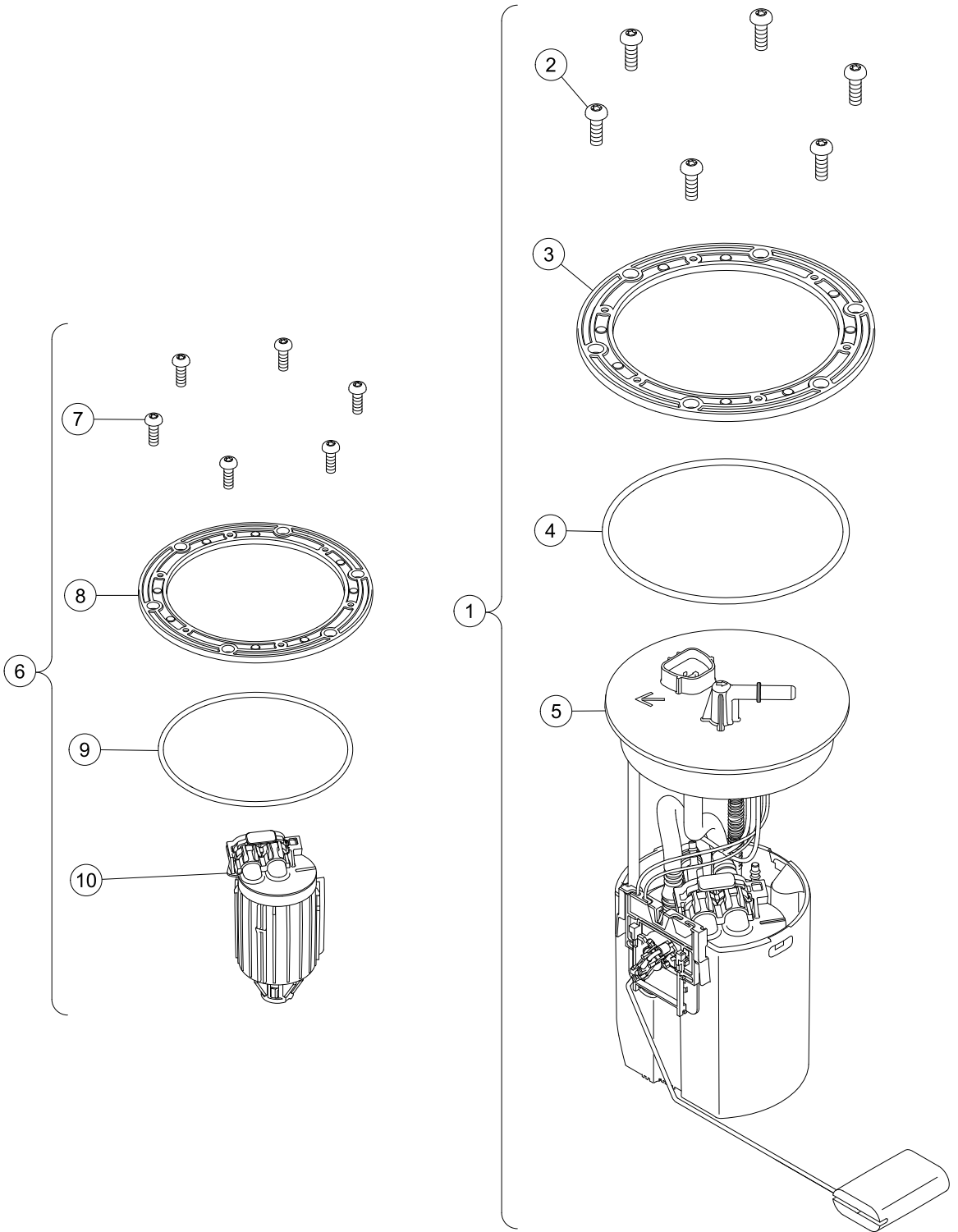


G-100499-000001

FUEL TANKS

10
G

ITEM	PART NO.	DESCRIPTION	QTY
		1 2 3 4	
1	102296020	Screw-torx Pan Head Pt, M6x20	2
2	102296301	Washer, M6x18x1.6 Flat	1
3	102410604	P-clamp, Insulated, 0.625 Inch	1
4	102490301	Bolt, M6 X 1 X 16, Loctite	1
5	47602210001	Asm, Fuel Line, Glf, Csmr	1
6	47602210002	Asm, Fuel Line, Csmr, Lift	1
7	47610134002	Bucket, Gas Vehicle, Glf, Csmr (includes items 8 and 9)	1
8	103470701	Bracket, Bucket Hinge	2
9	N/A	Screw, #6 X .75, Cs Ss, Hi-lo	4
10	47610135001	Retainer, Tank	1
11	47622750001	Asm, Tank, Fuel, With Sending Unit 50psi (includes items 12 through 15)	1
12	103372101	Cap, Fuel Tank, Gas, Ratchet	1
13	105143301	Wire, Ground, Fuel Tank	1
14	47611876001	Vent Rov, Fuel Tank, Precedent	1
15	47611877001	Grommet, Fuel Tank, Vent	1
16	47622750002	Asm, Fuel Tank, No Sending Unit,50psi	1
17	47643624002	Bracket, Fuel Line	1
18	96705199	Washer, M6	1
<p>Note: Items 12 through 15 apply to items 11 and 16.</p>			



G-100699-000001

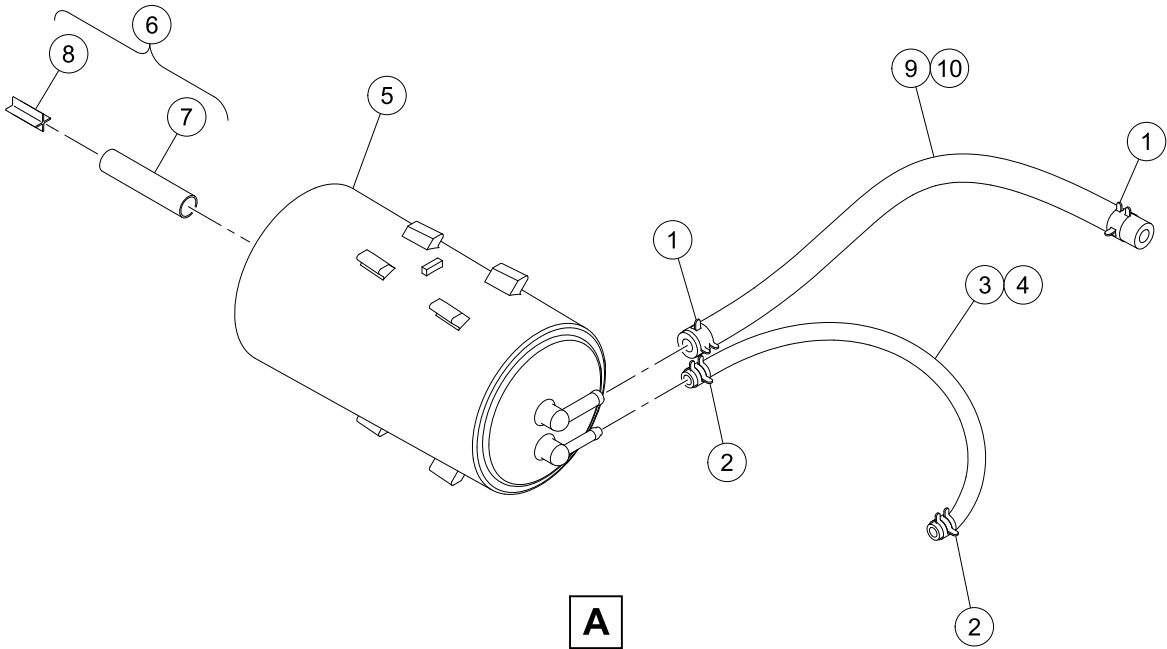
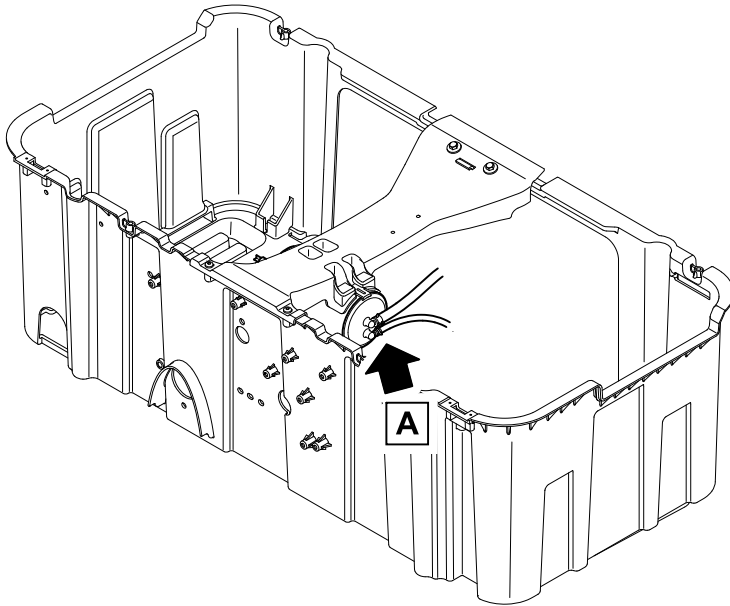
FUEL PUMP AND FUEL FILTER KITS

ITEM	PART NO.	DESCRIPTION	QTY
		1 2 3 4	
1	47622330001	Kit, Fuel Pump Module, 50 Psi (includes items 2 through 5)	1
2	102025801	Screw, 1/4-20 X .75 Torx Pn Hd	6
3	105043801	Fuel Module, Hold Down Ring	1
4	105043901	O-Ring, Fuel Module	1
5	N/A	Fuel Pump Module Su 50psi	1
6	47623339001	Kit, Fuel Filter, 50 Psi (includes items 7 through 10)	1
7	102025801	Screw, 1/4-20 X .75 Torx Pn Hd	6
8	105043801	Fuel Module, Hold Down Ring	1
9	105043901	O-Ring, Fuel Module	1
10	N/A	Fuel Filter, 50psi	1
		Note: Fuel pump kits are supplied with a sending unit for all field replacement kits.	

10

G

10
G



G-100399-00002

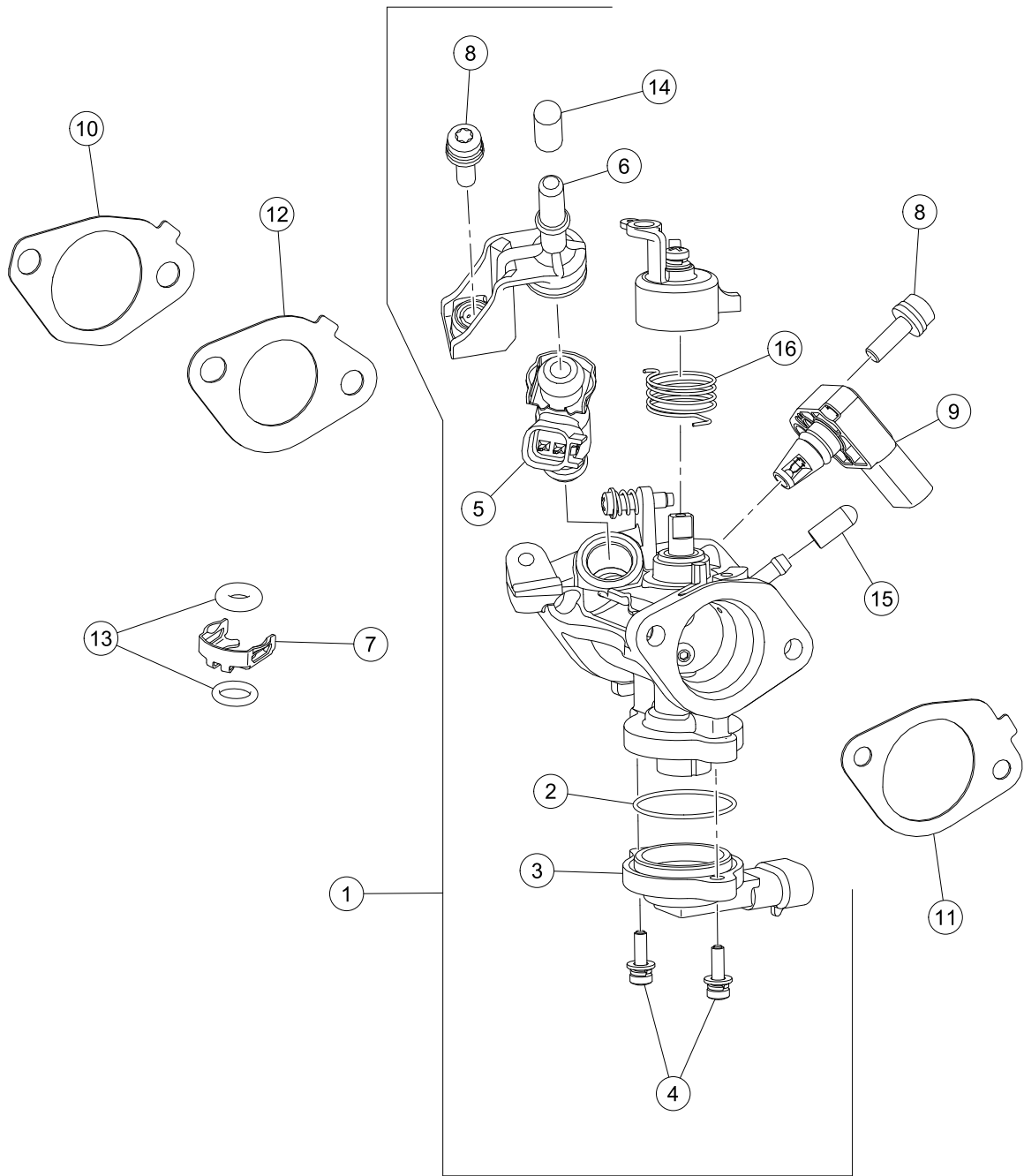
CARBON CANISTER – EFI

ITEM	PART NO.	DESCRIPTION	QTY
		1 2 3 4	
1	1012649	Clamp, 0.460 Red Hose	2
2	1013746	Clamp, 0.301 ID Hose	2
3	101587711	Hose, Fuel, Vent, 11.5" Long	1
4	101587712	Hose, Fuel, Vent, 12.5" Long	1
5	103372401	Canister, Carbon	1
6	103756401	Asm, Vent Line, Carbon Canister (includes items 7 and 8)	1
7	N/A	Hose, Vent, 5/16 I.D., Bulk	1
8	N/A	Vent, Barb, 5/16 I.D. Hose	1
9	103896607	Hose, Vent, 1/4 Id, 11.5 In (includes item 10)	1
10	47560464001	Hose, Fuel 1/4saej1737 Bulk	A/R
Note: Bulk hose material for items 3 (non-lifted only) and 4 (lifted only) can be ordered using part number 1015137.			

10

G

10
G



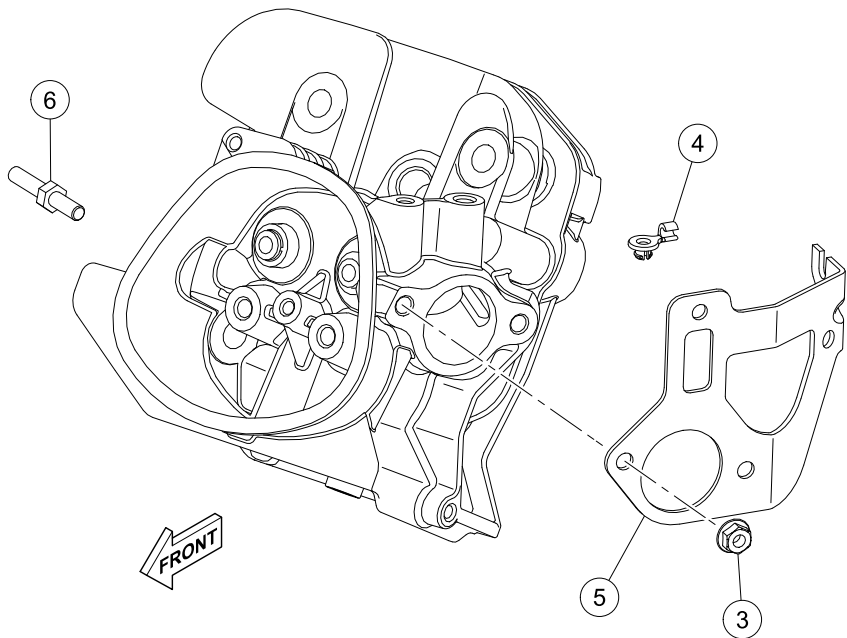
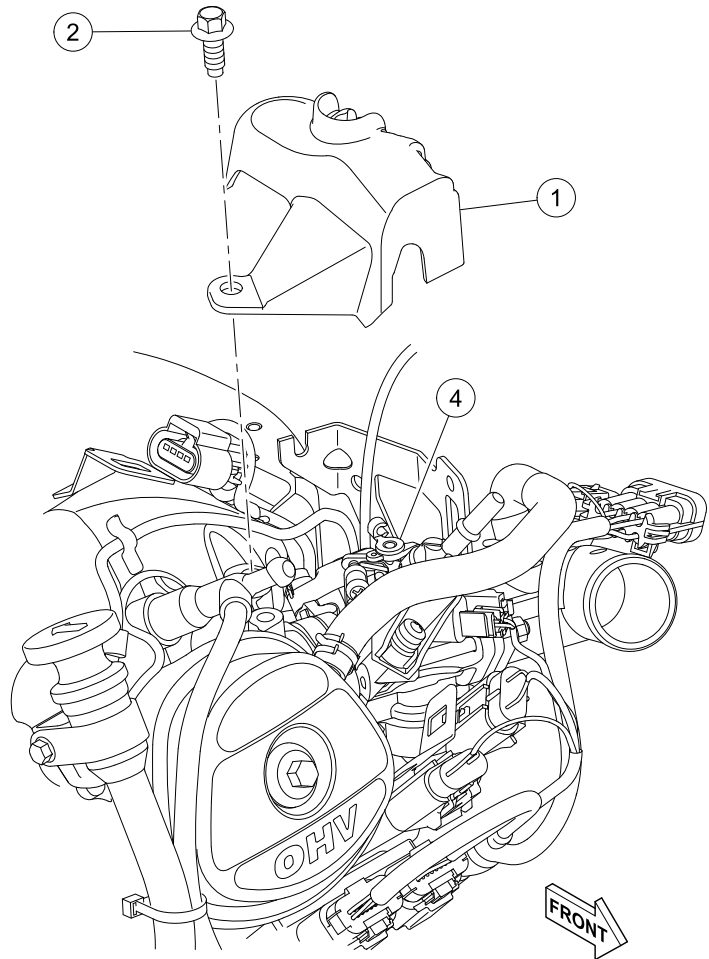
G-100199-000001

THROTTLE BODY AND MOUNTING

ITEM	PART NO.	DESCRIPTION	QTY
		1 2 3 4	
1	47629857001	Throttle Body, Assembly, Kohle	1
2	47629858001	O-ring, Kohler	1
3	47629859001	Kit, Tps, Kohler	1
4	47629860001	Screw, Hexalobular, M4 X 0.7 X	2
5	47629861001	Injector, Fuel, Kohler	1
6	47629862001	Cap, Fuel Inector, Kohler	1
7	47629864001	Clip, Retainer, Kohler	1
8	47629865001	Screw, Hexalobular, M6 X 1 Sem	2
9	47629866001	Sensor, T-map, Kohler	1
10	47629867001	Kit, Gasket Intake, Kohler	1
11	47629868001	Gasket, Throttle Body, Kohler	1
12	47629869001	Gasket, Insulator To T-body, K	1
13	47629870001	Kit, Fuel Injector O-ring, Koh	1
14	47629871001	Cap, Masking, Kohler	1
15	47629872001	Cap, Masking, Kohler	1
16	47629874001	Spring, Return, Kohler	1

10

G



G-040999-000002

GOVERNOR BRACKET AND COVER – EFI

ITEM	PART NO.	DESCRIPTION	QTY
		1 2 3 4	
1	47612352001	Cover, Governor, Ech 440	1
2	47617158001	M8-1.25 X 16 Lg, Pan Hd, Torx	2
3	47629875001	Nut, Hex Flange Lock (m6), Koh	2
4	47629876001	Bushing, Linkage Retainer, Koh	1
5	47629877001	Bracket, Governor, Kohler	1
6	47629878001	Stud, Ground, Kohler	1

10

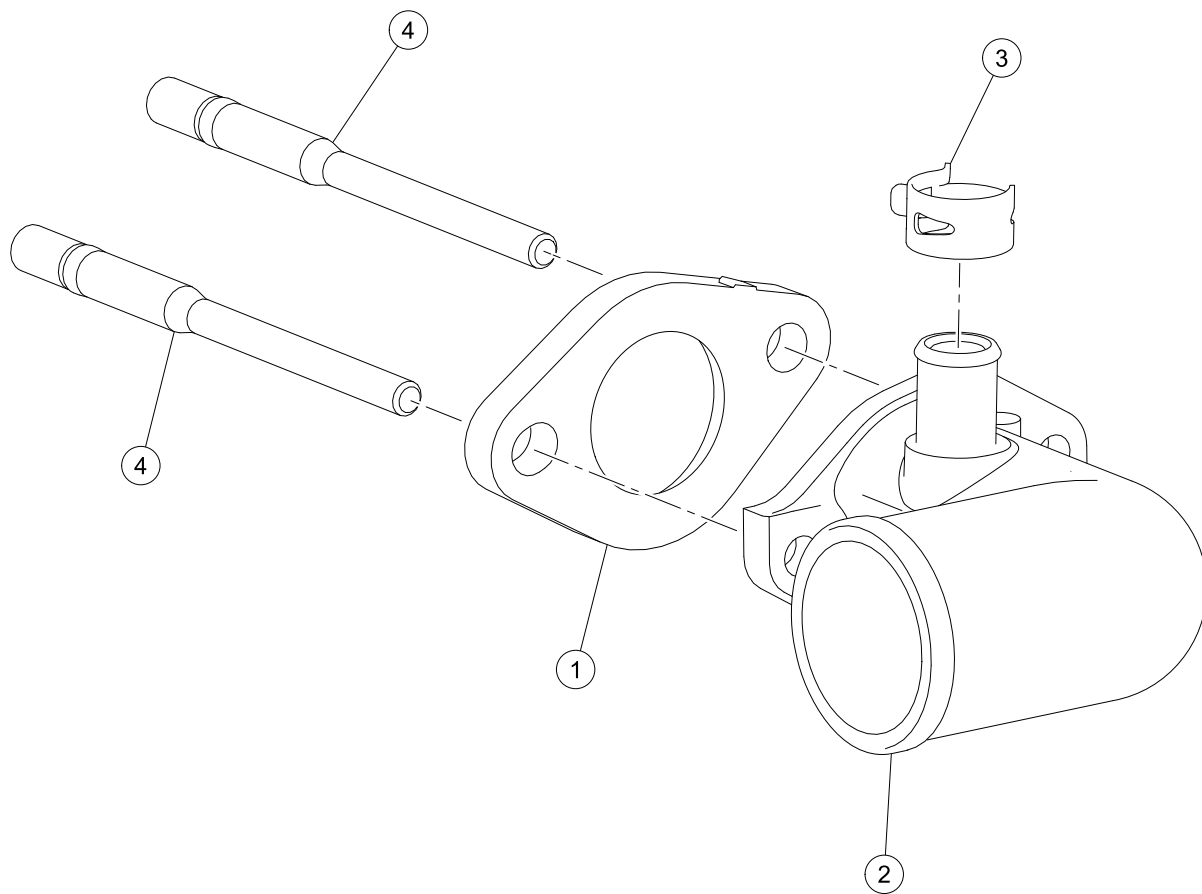
G

GOVERNOR AND ACCELERATOR CABLES – EFI

ITEM	PART NO.	DESCRIPTION	QTY
		1 2 3 4	
1	1011114	Nut, M6-1.00 Hex	2
2	1014007	Washer, 1/4, Flat	1
3	101886101	Screw, 1/4-20 X 1.00, Square-Head	1
4	101887601	Locknut, M6-1.00 Nylon Insert	1
5	102296716	Screw, M6 X 16 Tt Hx Fl Hd	1
6	102410604	P-clamp, Insulated, 0.625 Inch	3
7	102476401	Bolt, Stop, Pedal	1
8	102490301	Bolt, M6 X 1 X 16, Loctite	1
9	102498201	Bolt, M10 X 1.25 X 25, Loctite	2
10	103982001	Cable, Accelerator, Std Speed	1
11	103982002	Cable, Accelerator, High Speed	1
12	104023501	Arm, Governor, ED65	1
13	105135101	Bracket, Cable, FNR/Accelerator, ED65	1
14	105144401	Weldment, Governor Bracket	1
15	47601355001	Cable, Governor, Z Fit 90 Fit	1
16	8233	Locknut, 1/4-20, Nylon Insert	1

10

G



G-040999-000003

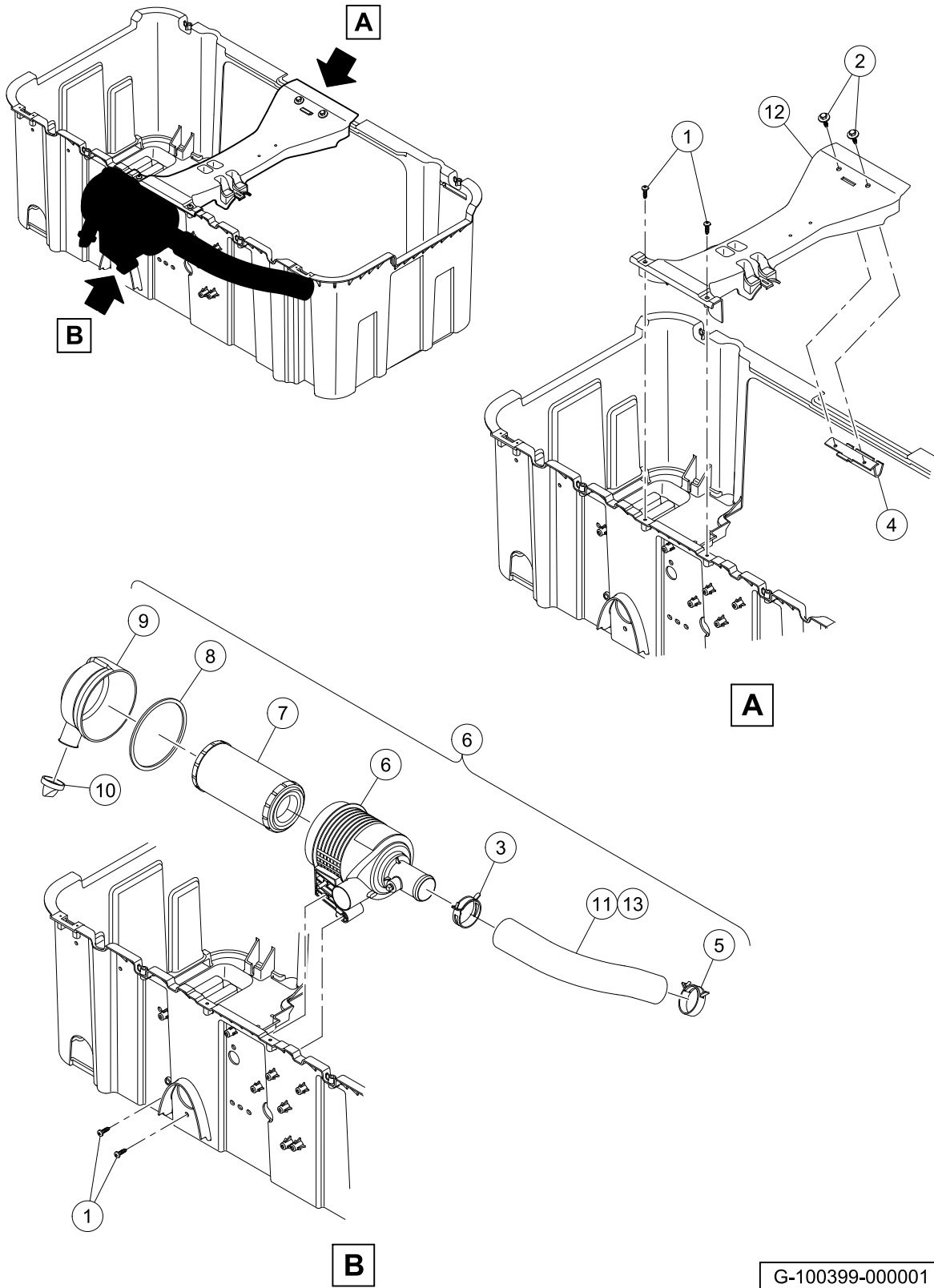
AIR INTAKE ELBOW – EFI

ITEM	PART NO.	DESCRIPTION	QTY
		1 2 3 4	
1	47629879001	Insulator Throttle Body, Kohler	1
2	47629880001	Elbow, Air Inlet, Kohler	1
3	47629881001	Clamp, Breather Hose, Kohler	1
4	47629882001	Stud, Intake, Kohler	2

10

G

10
G



G-100399-000001

AIR FILTER SYSTEM AND INTAKE HOSE – EFI

ITEM	PART NO.	DESCRIPTION	QTY
		1 2 3 4	
1	102296020	Screw-torx Pan Head Pt, M6x20	4
2	102297125	Screw, M6-1.0x25.4, Thread-Forming, SEMS	2
3	102411209	Clamp, Hose, Ctb 55mm Dia.	1
4	102521401	Support, Gas Bucket Brace	1
5	102558301	Clamp, Air Intake	1
6	105009001	Air Cleaner, with EFI (includes items 7 through 10)	1
7	102558201	Air Filter, 4 Inch	1
8	102558501	Gasket, Air Intake	1
9	102558601	Asm, Cover, Air Intake	1
10	102558701	Evac Valve, Air Intake	1
11	47560765001	Hose, Intake, Lift, Csmr	1
12	47610136001	Brace, Gas Fuel Bucket	1
13	47615815001	Hose, Intake, Extr, 327 Lg	1
Note: Item 11 is for lifted vehicles only. Item 13 is for non-lifted vehicles only.			

10

G

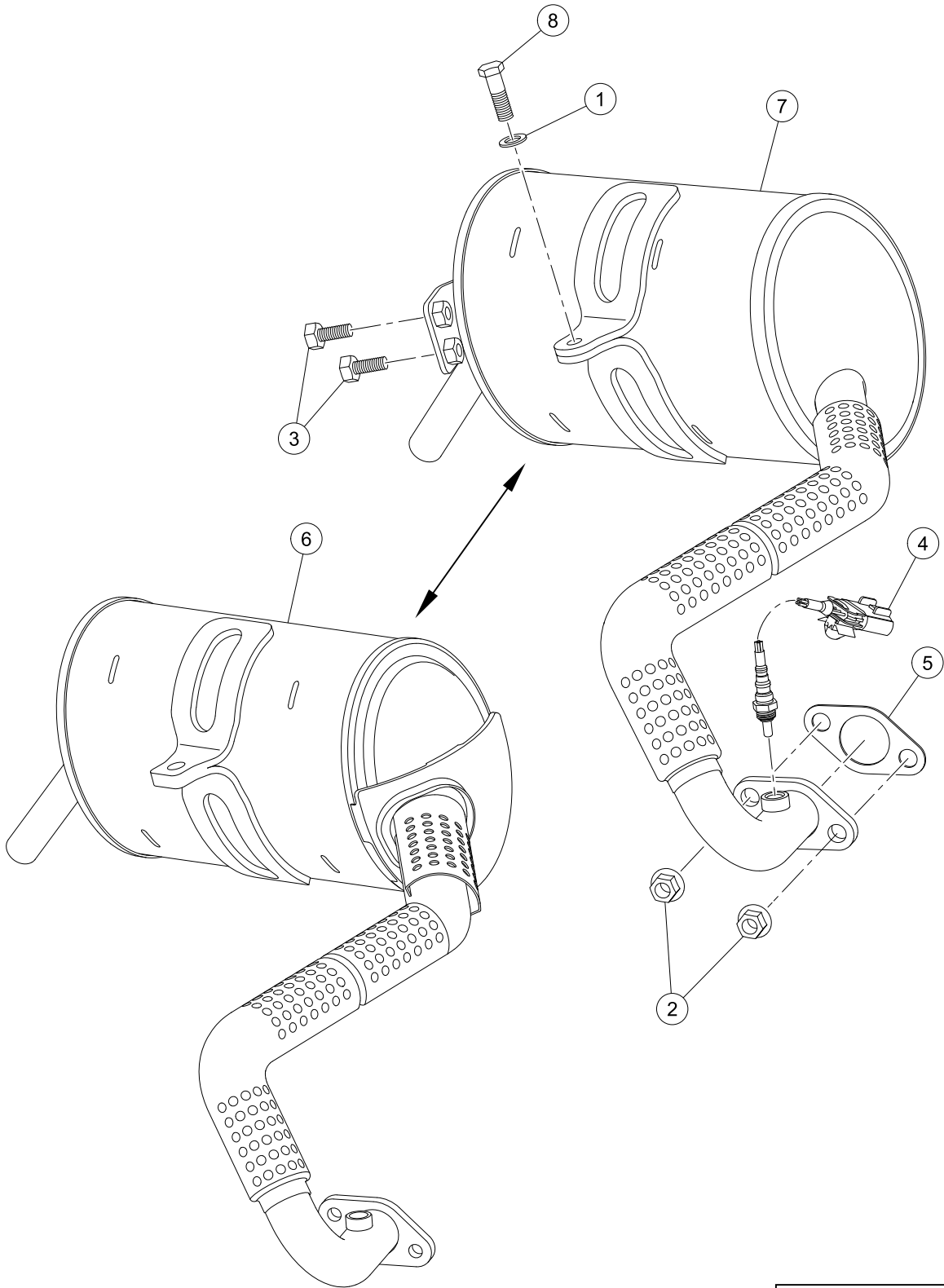
10

G

EXHAUST SYSTEMS – ECH440

11

G



G-110199-000003

EXHAUST SYSTEMS

ITEM	PART NO.	DESCRIPTION	QTY
		1 2 3 4	
1	1011697	Washer, 5/16 Flat	1
2	102298401	Nut, M8, All Metal Lock	2
3	102922701	Bolt, Flanged Head, M8x1.25x20 Lock Patch	2
4	47611209001	Asm, Sensor, Oxygen, Heated	1
5	47611210001	Gasket, Exhaust, Grpht, Ech440	1
6	47649808001	Exhaust, LTFF, ECH440	1
7	47649808002	Exhaust, Utility, ECH440	1
8	96705587	Bolt, M8 X 1.25 X 30	1

11
G

11

G

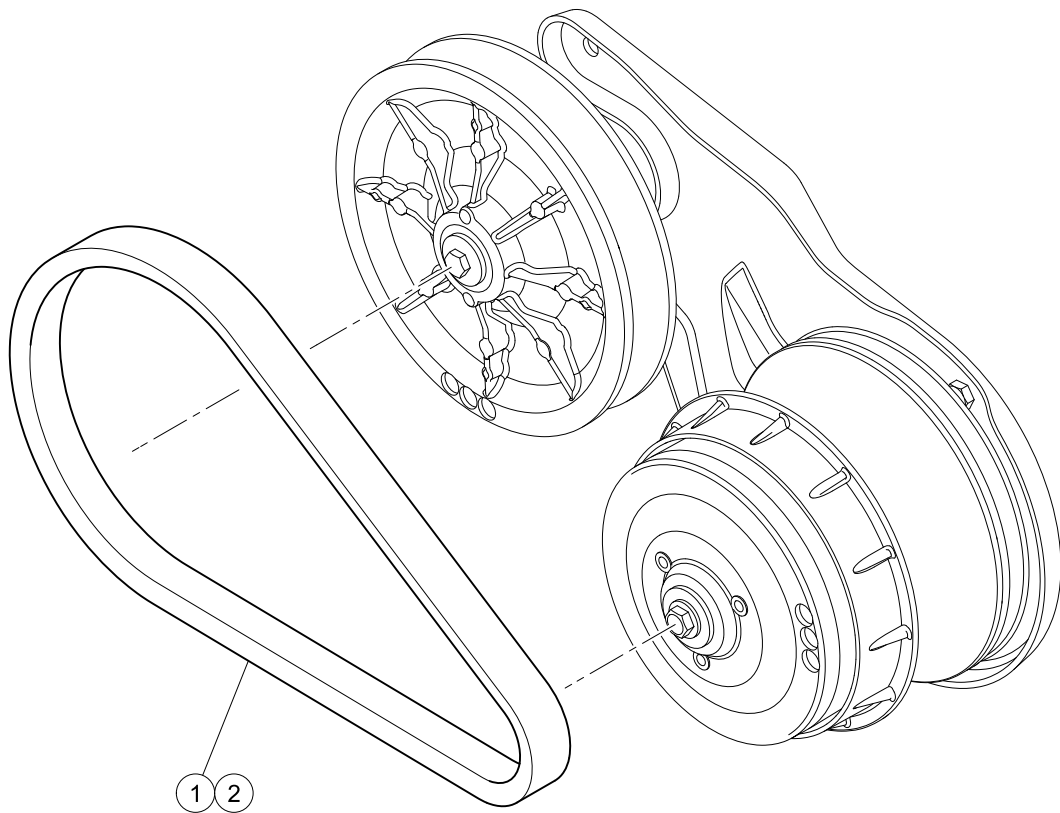
DRIVE BELT AND CLUTCHES – EFI GASOLINE VEHICLES

12

G

12

G

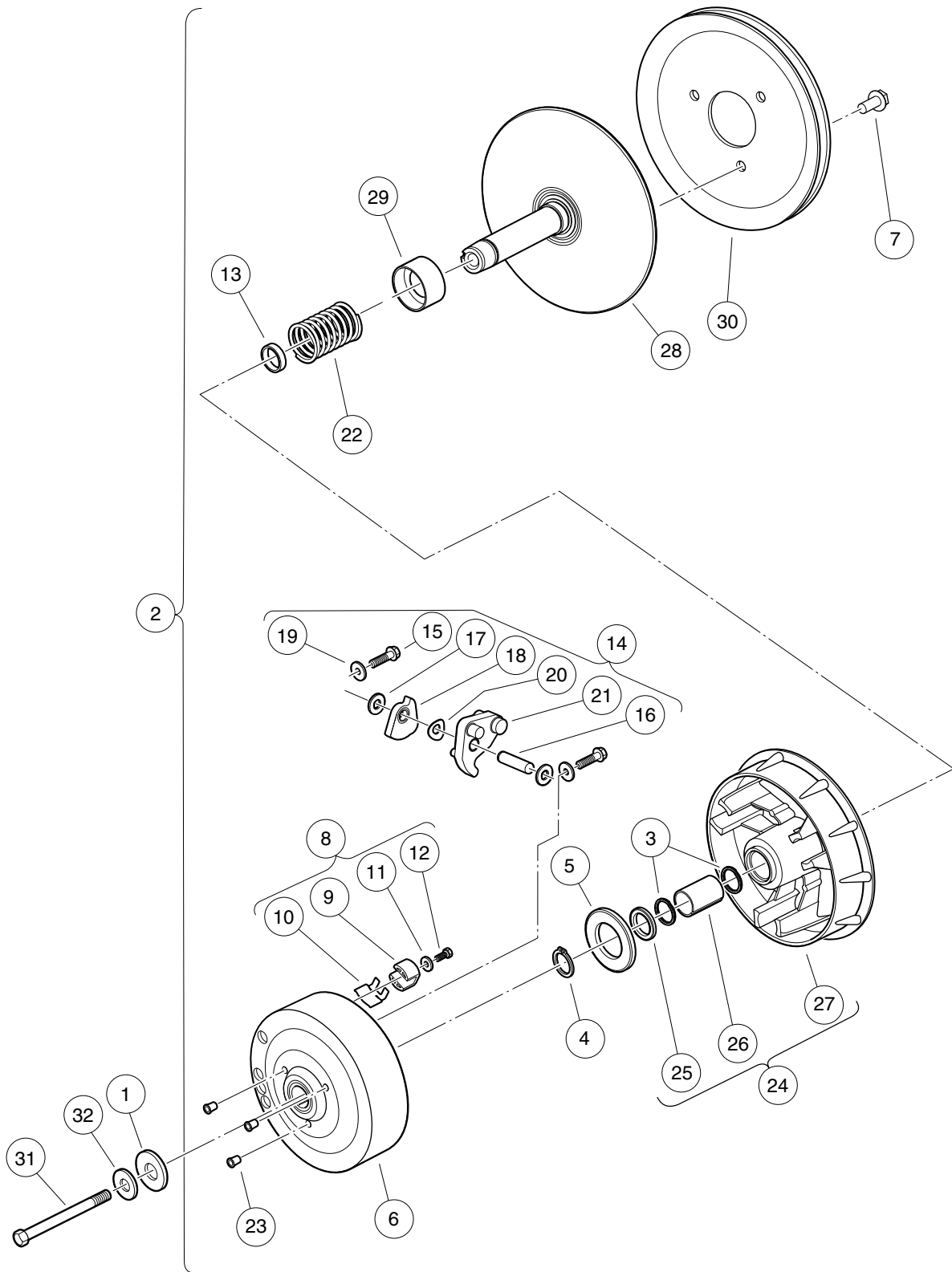


G-060099-000001

DRIVE BELTS – EFI

ITEM	PART NO.	DESCRIPTION	QTY
1	103974102	1 2 3 4 Belt, Drive, Key-Start	1
2	105245801	Belt, Drive, Pedal-Start	1

12
G



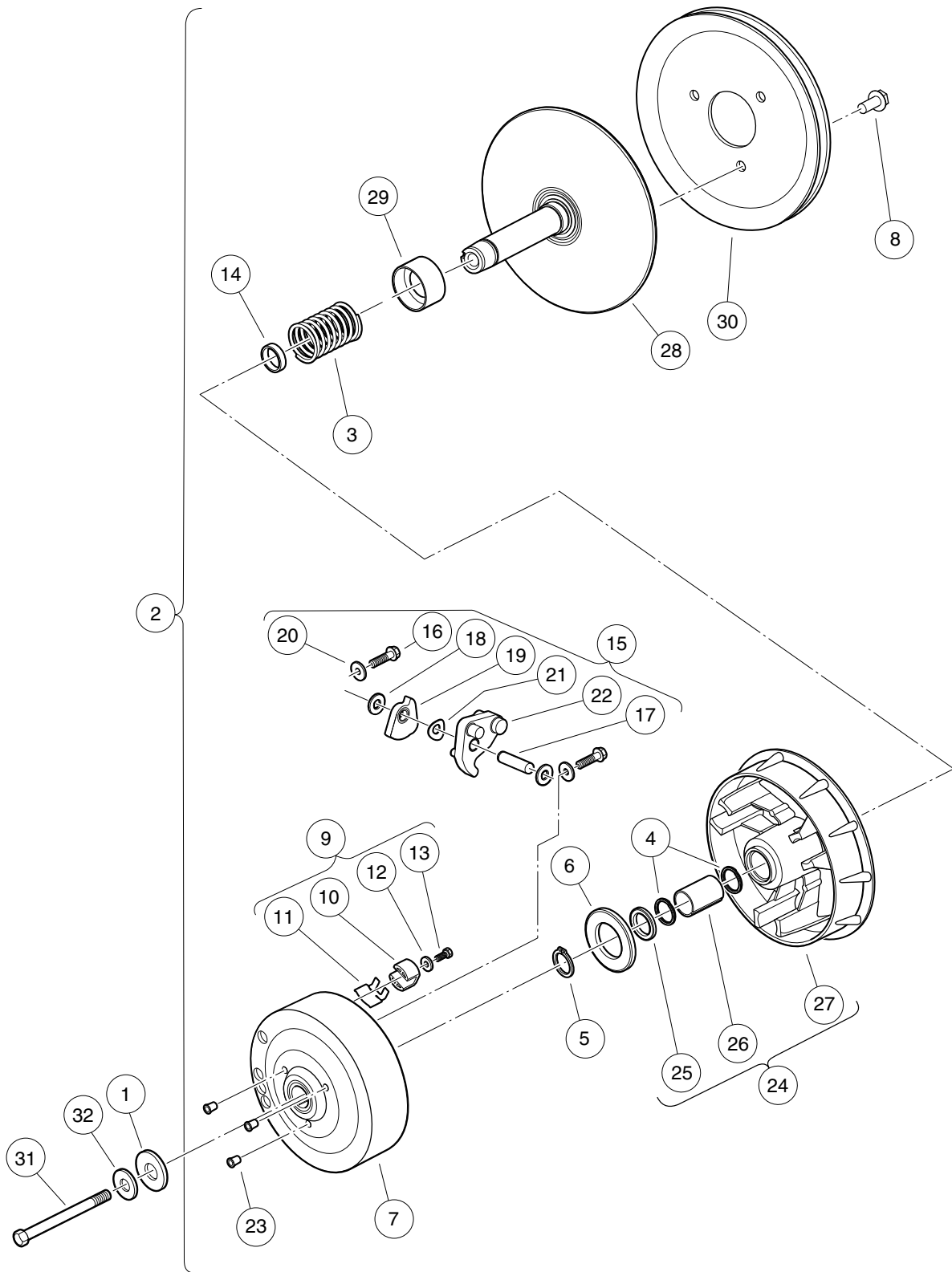
000958-002

DRIVE CLUTCH – KEY-START VEHICLES

ITEM	PART NO.	DESCRIPTION	QTY
		1 2 3 4	
1	102491501	Washer, Hard, M10	1
2	103973902	Clutch, Drive, Key-Start (includes items 3 through 30)	1
3	1014056	Ring, Spiral Backup	2
4	1014057	Ring, 0.810" Internal Retaining	1
5	1014058	Thrust Washer	1
6	1014059	Drive Hub Assy, Drive Clutch	1
7	1014288	Screw, 5/16-18 X 0.75, Thread-Forming	3
8	1014453	Kit, Drive Clutch Button (includes items 9 through 12)	1
9	1014062	Driver, Drive Clutch	3
10	1014287	Spring, Drive Button	3
11	183	Washer, #10, Type A, Flat	3
12	8450	Screw, #10-24 X 0.50, Hex-Head	3
13	1016289	Spacer, Fixed Face Shaft	1
14	1016801	Kit, Drive Clutch Weight (includes items 15 through 21)	1
15	1014063	Screw, 1/4-20 X 1.00, Hex Head	6
16	N/A	Pin, Dowel, 0.3752 x 1.50	3
17	1014065	Washer, Flat, 0.38" ID, Delrin	6
18	N/A	Clutch Weight, Secondary	3
19	N/A	Washer	6
20	1016201	Washer, Wave	3
21	N/A	Weight, Primary	3
22	1016901	Spring, Drive Clutch	1
23	N/A	Cap Plug	3
24	103974201	Asm, Sheave, Moveable, Drive, Wr (includes items 25 through 27)	1
25	1014055	Retainer	1
26	N/A	Bushing, Split, Drive Clutch	1
27	N/A	Sheave, Moveable, Drive, Wr	1
28	103974401	Sheave, Fixed, Drive, Wr	1
29	103984601	Spacer, Idler, Drive	1
30	105096101	Pulley, 7.3 Inch Effective Dia	1
31	103976101	Screw, 3/8-24x5.75, Patch	1
32	334	Washer, 3/8, Type A, Flat	1

12

G

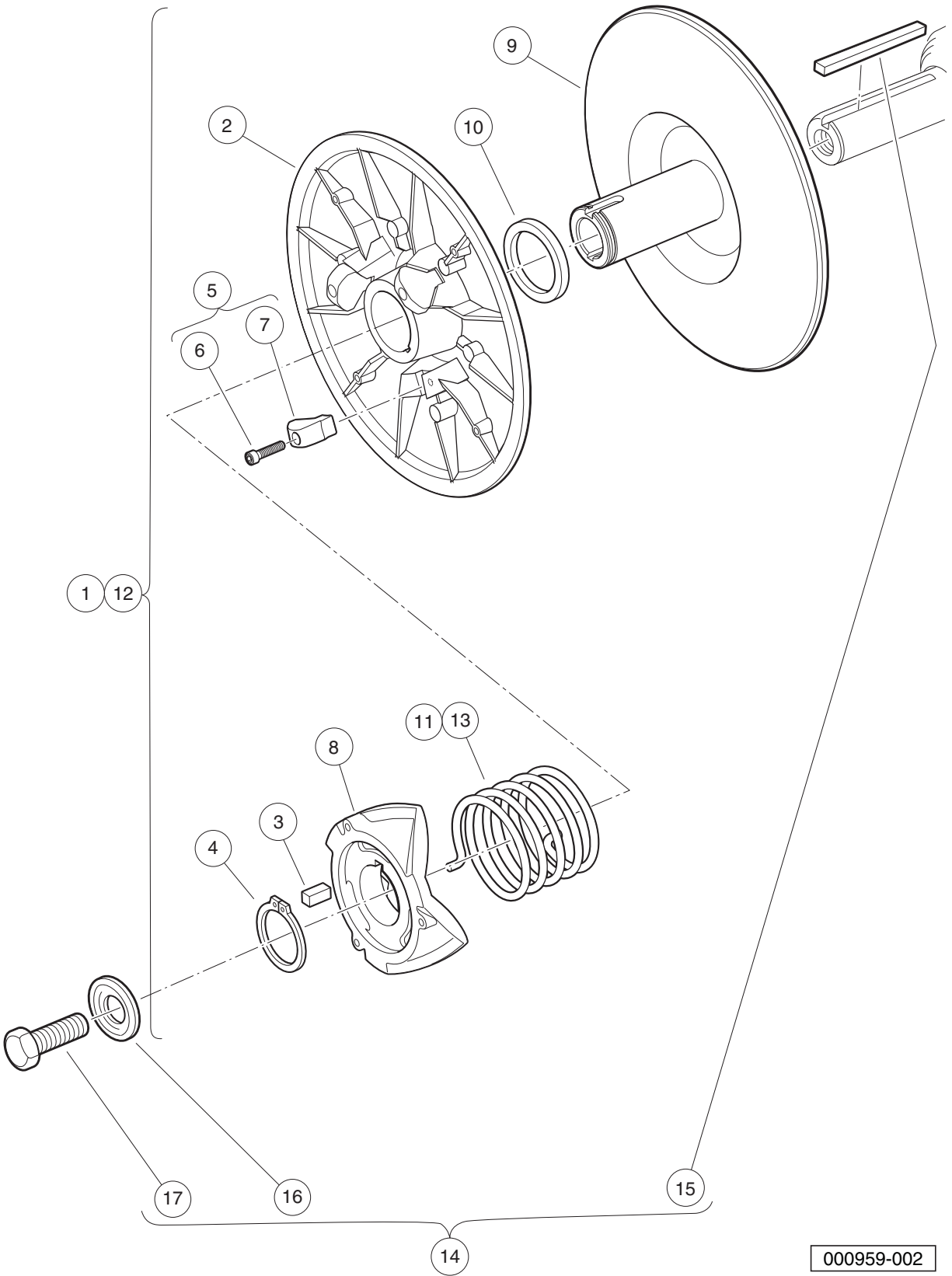


000958-001

DRIVE CLUTCH – PEDAL-START VEHICLES

ITEM	PART NO.	DESCRIPTION	QTY
		1 2 3 4	
1	102491501	Washer, Hard, M10	1
2	103973901	Clutch, Drive, Pedal-Start (includes items 3 through 30)	1
3	1014051	Spring, Drive Clutch	1
4	1014056	Ring, Spiral Backup	2
5	1014057	Ring, 0.810" Internal Retaining	1
6	1014058	Thrust Washer	1
7	1014059	Drive Hub Assy, Drive Clutch	1
8	1014288	Screw, 5/16-18 X 0.75, Thread-Forming	3
9	1014453	Kit, Drive Clutch Button (includes items 10 through 13)	1
10	1014062	Driver, Drive Clutch	3
11	1014287	Spring, Drive Button	3
12	183	Washer, #10, Type A, Flat	3
13	8450	Screw, #10-24 X 0.50, Hex-Head	3
14	1016289	Spacer, Fixed Face Shaft	1
15	1016801	Kit, Drive Clutch Weight (includes items 16 through 22)	1
16	1014063	Screw, 1/4-20 X 1.00, Hex Head	6
17	N/A	Pin, Dowel, 0.3752 x 1.50	3
18	1014065	Washer, Flat, 0.38" ID, Delrin	6
19	N/A	Clutch Weight, Secondary	3
20	N/A	Washer	6
21	1016201	Washer, Wave	3
22	N/A	Weight, Primary	3
23	N/A	Cap Plug	3
24	103974201	Asm, Sheave, Moveable, Drive, Wr (includes items 25 through 27)	1
25	1014055	Retainer	1
26	N/A	Bushing, Split, Drive Clutch	1
27	N/A	Sheave, Moveable, Drive, Wr	1
28	103974401	Sheave, Fixed, Drive, Wr	1
29	103984601	Spacer, Idler, Drive	1
30	105096101	Pulley, 7.3 Inch Effective Dia	1
31	103976101	Screw, 3/8-24x5.75, Patch	1
32	334	Washer, 3/8, Type A, Flat	1

12
G



000959-002

DRIVEN CLUTCH – KEY START AND PEDAL START

ITEM	PART NO.	DESCRIPTION	QTY
		1 2 3 4	
1	47601767001	Asm, Clutch, Driven, Ccw, Blk (includes items 2 through 11)	1
2	1014072	Movable-Face Assembly with Bushing	1
3	1014078	Key, Driven Clutch	1
4	1014080	Ring, Retaining	1
5	1014454	Kit, Driven Clutch Button (includes items 6 and 7)	1
6	1012836	Screw, #8-32 X 3/4, Socket-Head Cap	3
7	N/A	Button, Drive	3
8	1017686	Cam, Driven Clutch	1
9	103975301	Sheave, Fixed, Driven, Wr	1
10	104025101	Washer, Acetal, Driven Clutch	1
11	47600218001	Spring, Drvn Clutch, Ccw, Blk	1
12	47601767002	Asm, Clutch, Driven, Ccw, Red	1
13	47601832001	Spring, Drvn Clutch, Ccw, Red	1
14	AM10419	Kit, Clutch Repair (includes items 15 through 17)	1
15	101833401	Key, 3/16 Sq X 1.50"	1
16	102155801	Washer, Driven Clutch	1
17	102242101	Screw, 5/16-18 X 3/4 Hex-Head with Patch	1
Note: Item 11 is only applicable to item 1. Item 13 is only applicable to item 12. All other details apply to both driven clutch assemblies.			

12

G

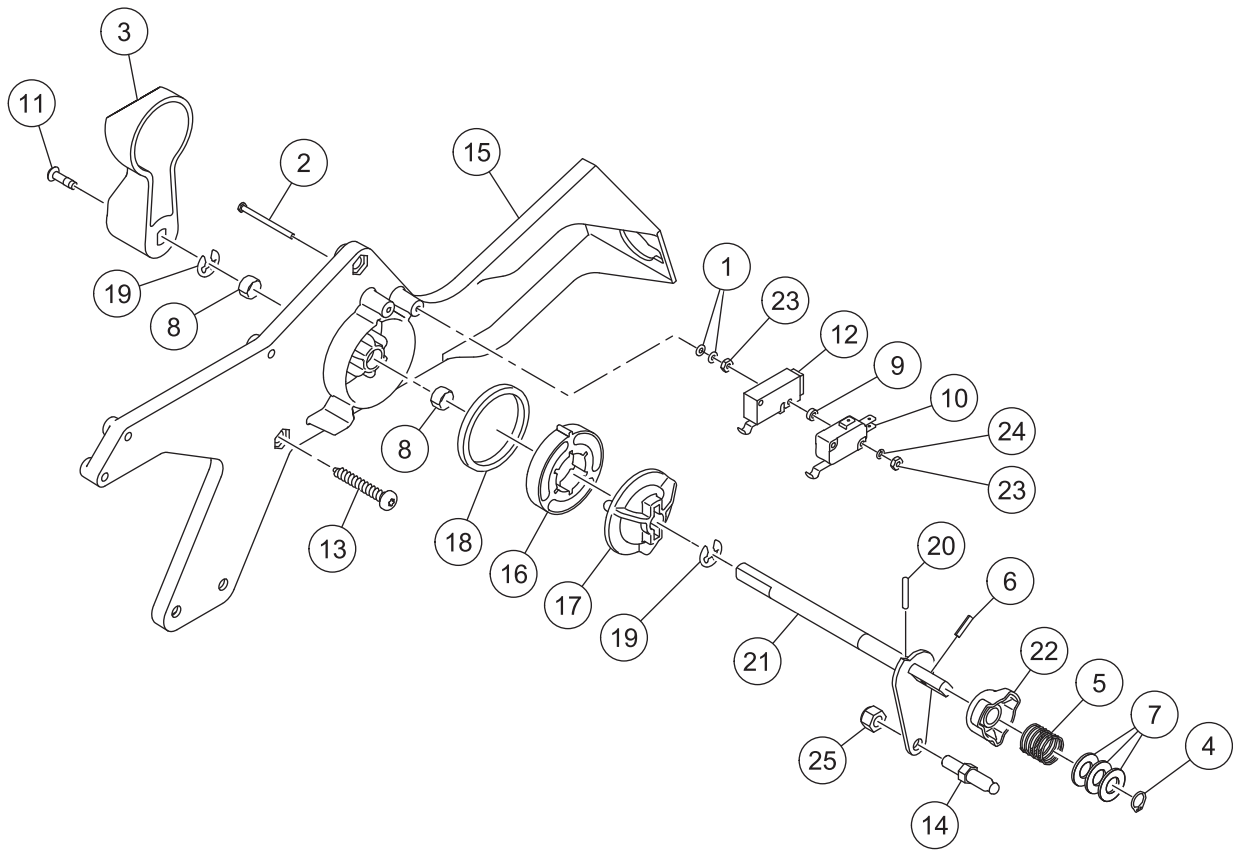
12

G

TRANSAXLE, FUJI ED65

13

G



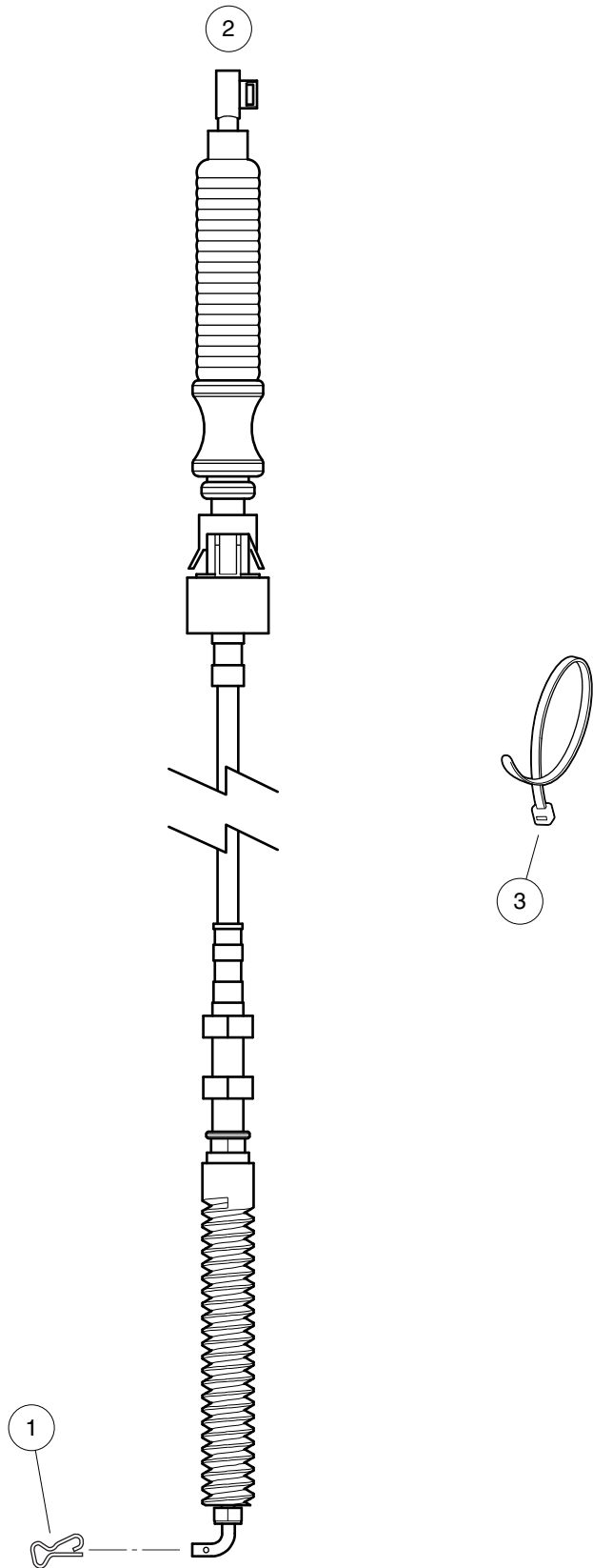
001063-003

FORWARD/REVERSE SHIFTER ASSEMBLY – EFI

ITEM	PART NO.	DESCRIPTION	QTY
		1 2 3 4	
1	1012431	Washer, #4 Flat	4
2	1012594	Screw, #4-40 Machine	2
3	1012987	Handle, FNR	1
4	1013589	Ring, Retaining, 0.338" Internal	1
5	1013590	Spring, FNR Cam	1
6	1013591	Pin, Roll, 1/8 X 1/2	1
7	1014065	Washer, Flat, 0.38" ID, Delrin	3
8	1014145	Bushing, Secondary Weight, Split	2
9	1014727	Washer, Flat, #4, Nylon	2
10	1014807	Switch, Limit	1
11	1015064	Screw, #8-32 X 0.63 Machine	1
12	101979101	Switch, Limit, Assembly, Sealed	1
13	102296040	Screw, Torx Pan Hd Pt, M6 X 40	3
14	102526201	Stud, Thread, 1/4-28	1
15	105037501	Housing, Gas FNR Body Shift	1
16	105037601	Cam, FNR Detent, 45 Degree	1
17	105037701	Follower, FNR Detent	1
18	105038501	Spring, Wave, Gas FNR Shifter	1
19	105039801	E-Clip, External, 8mm Groove	2
20	105040401	Pin, Round, 0.125 Dia x 0.625	1
21	105041101	Weldment, Shaft, Fnr	1
22	105074101	Cam, Neutral Lockout	1
23	8057	Nut, #4-40 Hex Machine	4
24	8058	Lockwasher, #4 Split	2
25	8717	Locknut, Nylon Insert, 1/4-28	1

13

G



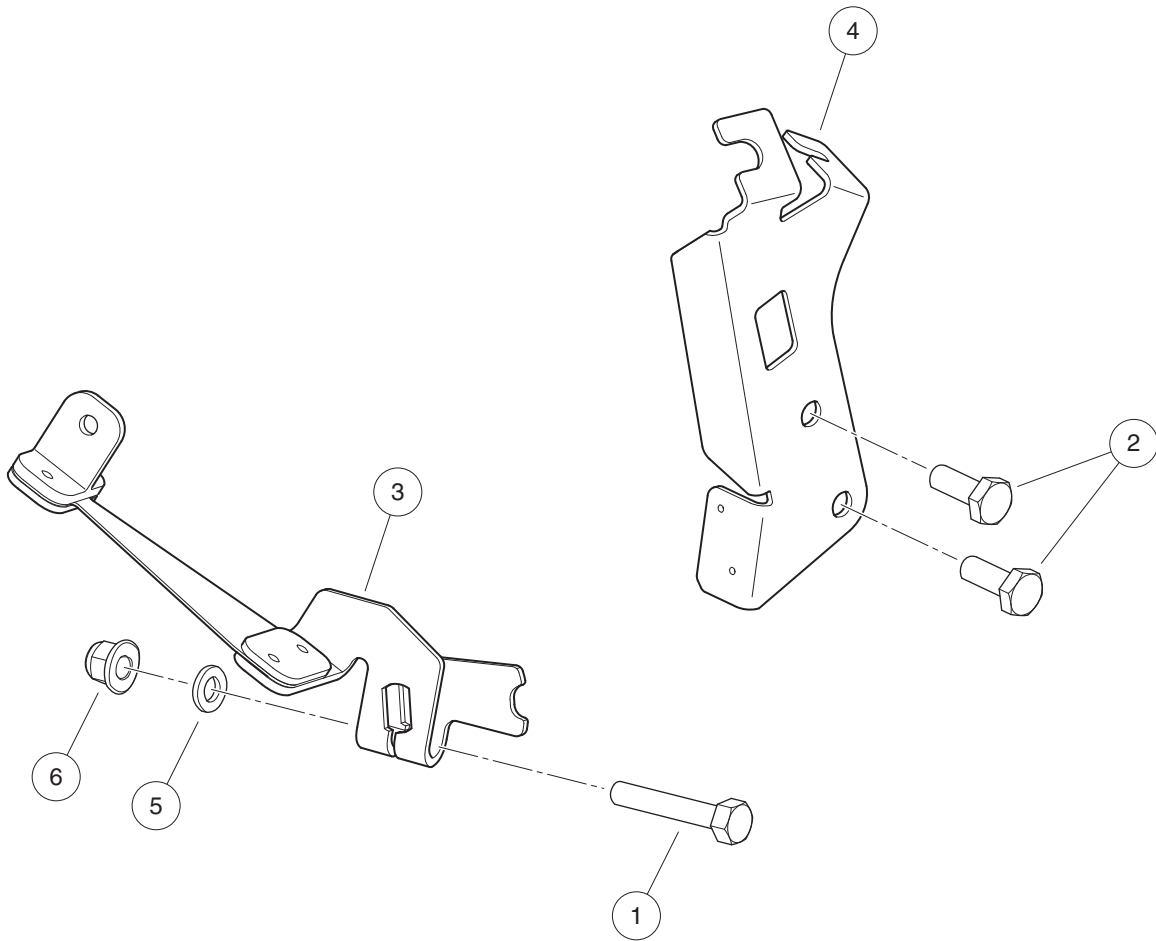
000988-001

SHIFTER CABLE

ITEM	PART NO.	DESCRIPTION	QTY
1	103886601	1 2 3 4 Clip, Bowtie	1
2	105038801	Cable, Shifter	1
3	8990	Tie Wrap, 8" Nylon	A/R

13
G

13
G

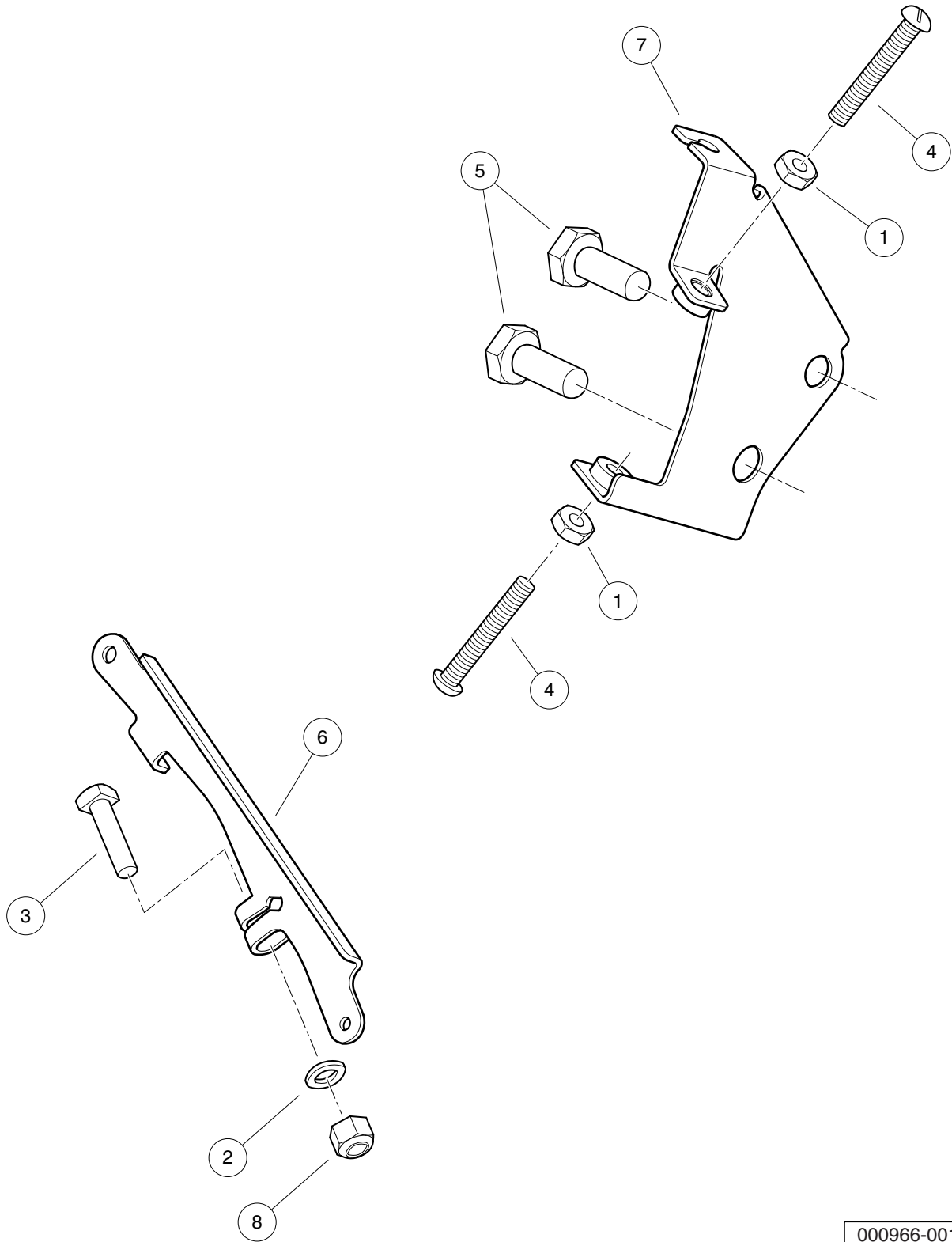


000965-003

SHIFT LEVER AND BRACKET – PEDAL-START ENGINES

ITEM	PART NO.	DESCRIPTION	QTY
		1 2 3 4	
1	101862001	Screw, 1/4-20 X 1.500 Flange	1
2	102498201	Bolt, M10 X 1.25 X 25, Loctite	2
3	105040901	Lever, Shift, Flex, Transaxle, Pedal-Start	1
4	105135101	Bracket, Cable, FNR/Accelerator, ED65	1
5	332	Washer, 1/4 Type A Narrow Flat	1
6	8233	Locknut, 1/4-20, Nylon Insert	1

13
G



000966-001

GOVERNOR ARM AND BRACKETS

ITEM	PART NO.	DESCRIPTION	QTY
		1 2 3 4	
1	1011114	Nut, M6-1.00 Hex	2
2	1014007	Washer, 1/4, Flat	1
3	101886101	Screw, 1/4-20 X 1.00, Square-Head	1
4	102476401	Bolt, Stop, Pedal	2
5	102498201	Bolt, M10 X 1.25 X 25, Loctite	2
6	104023501	Arm, Governor, ED65	1
7	105144401	Weldment, Governor Bracket	1
8	8233	Locknut, 1/4-20, Nylon Insert	1

13

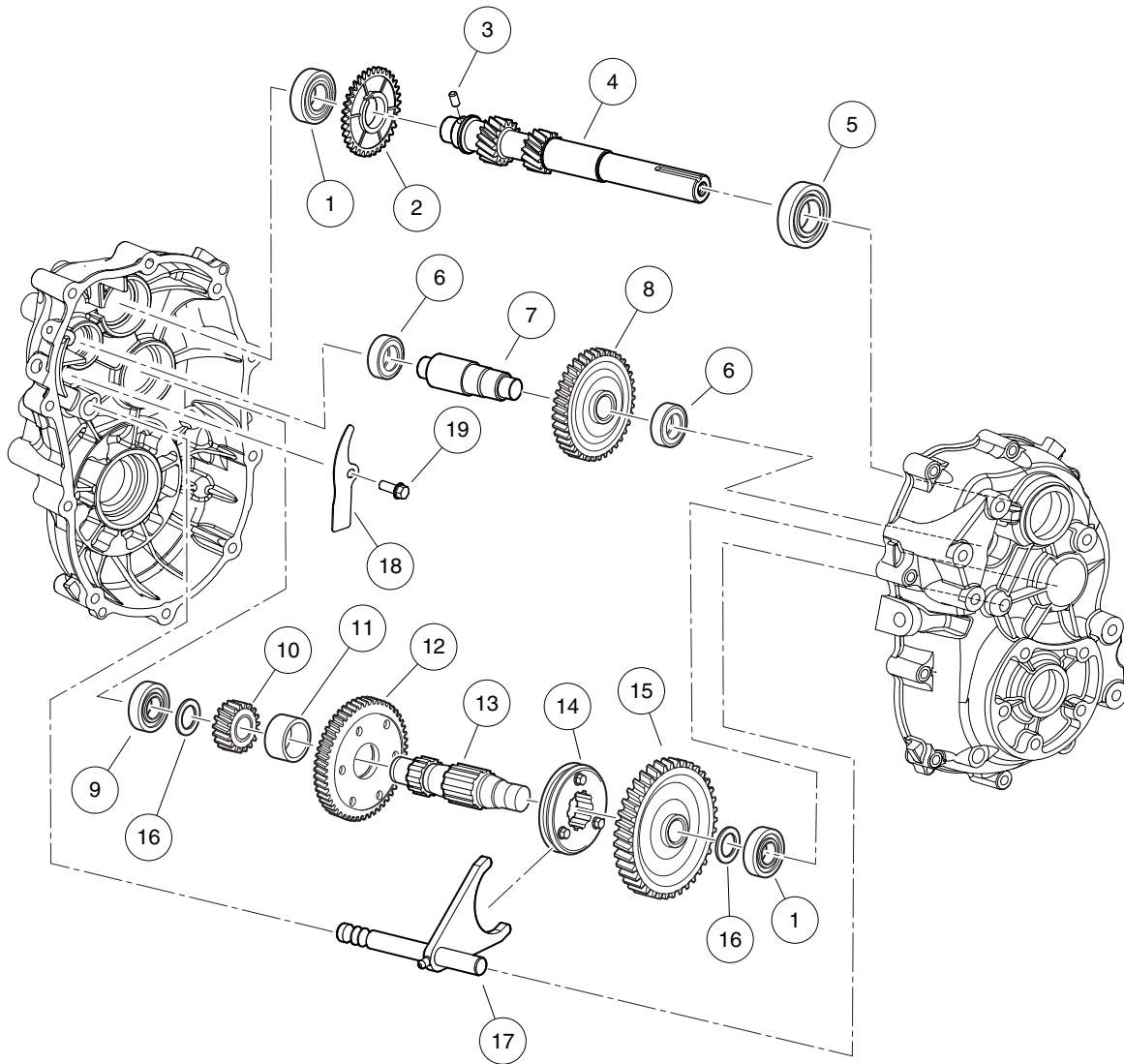
G

TRANSAXLE (ED65), OPEN – PAGE 1 OF 3

ITEM	PART NO.	DESCRIPTION	QTY
		1 2 3 4	
1	103879701	Transaxle, ED65, Open Differential (includes items 2 through 32)	1
2	105025001	Case, Transaxle, Left, Complete, ED65 (includes items 3 through 13)	1
3	105025101	Gear, Governor, Complete, ED65	1
4	105025201	Sleeve, Governor, ED65	1
5	105025301	Washer, ED65	2
6	105025401	Bearing, Thrust, ED65	1
7	105025501	Shaft, Governor Gear, ED65	1
8	105025601	Shaft, Governor, ED65	1
9	105025701	Washer, 6mm, ED65	2
10	105025801	Seal, Oil, 6x10x2.5, ED65	1
11	105025901	Retaining Ring, E5, ED65	1
12	105026001	Seal, Oil, 24x40x9, ED65	1
13	105027101	Vent, Breather, ED65	1
14	105026101	Ball, Steel, ED65	1
15	105026201	Spring, ED65	1
16	105026301	Gasket, 10, ED65	1
17	105026401	Bolt, M10-1.25x12mm Lg, ED65	1
18	105026501	Case, Transaxle, Right, Complete, ED65 (includes items 19 through 24)	1
19	105026001	Seal, Oil, 24x40x9, ED65	1
20	105026601	Shaft, Select, ED65	1
21	105026701	Seal, Oil, 13x22x5, ED65	1
22	105026801	Snap Ring, 13mm, ED65	1
23	105026901	Spacer, 13x1, ED65	1
24	105027001	Seal, Oil, 25x45x7, ED65	1
25	105027201	Plug, Oil Drain, ED65	2
26	105027301	Gasket, 14, ED65	2
27	105028301	Pin, Guide, ED65	2
28	105028501	Bolt, Flange, M8-1.25x65mm, ED65	1
29	105030001	Nut, Flange, M8-1.25, ED65	10
30	105030701	Bolt, Flanged, M8-1.25x80mm, ED65	9
31	105234801	Plate, Ed65 Splash	1
32	105234901	Bolt, M6-1 X 12mm Lg, Ed65	1
		Note: Fuji transaxle component listings span three pages. To identify your transaxle, locate the serial number decal on the axle tube.	

13

G



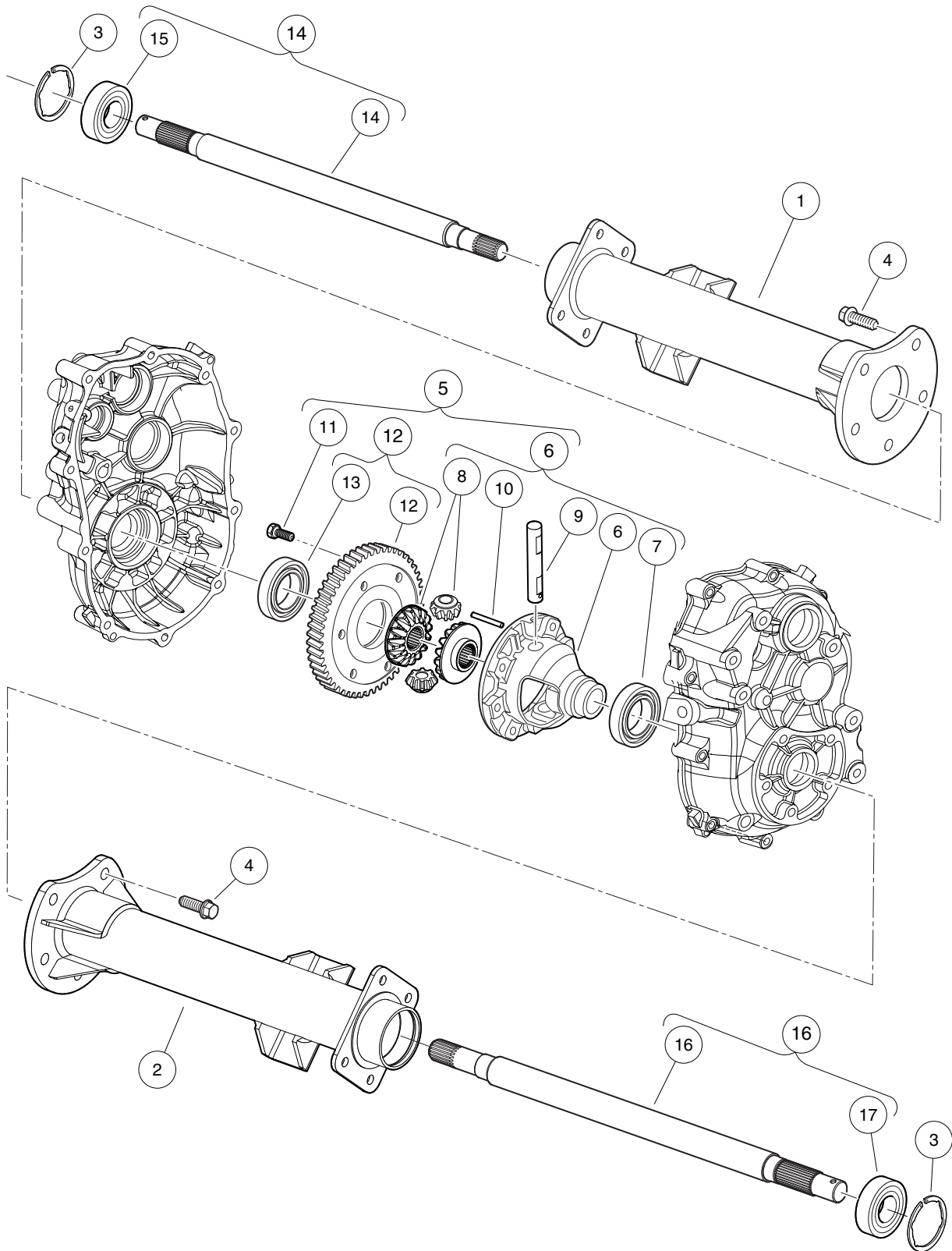
000919-007

TRANSAXLE (ED65), LIMITED SLIP AND OPEN – PAGE 2 OF 3

ITEM	PART NO.	DESCRIPTION	QTY
		1 2 3 4	
1	105027401	Bearing, Ball (6204)	2
2	105027501	Gear, Governor, 34 Tooth, ED65	1
3	105027601	Pin, 6x12 Long, ED65	1
4	105027701	Shaft, Input, ED65	1
5	105027801	Bearing, Ball (6205 seal)	1
6	105027901	Bearing, Ball (6202)	2
7	105028001	Shaft, Counter, ED65	1
8	105028201	Gear, 34 Tooth, ED65	1
9	105028401	Bearing, Ball (6304)	1
10	105028601	Gear, 17 Tooth, ED65	1
11	105028701	Collar, 24 x 12, ED65	1
12	105028801	Gear, 52 Tooth, ED65	1
13	105028901	Shaft, Center, ED65	1
14	105029001	Clutch, Pin, ED65	1
15	105029101	Gear, 62 Tooth, ED65	1
16	105029201	Spacer, 20x2, ED65	2
17	105030901	Shaft, Shift, ED65	1
18	105234801	Plate, Ed65 Splash	1
19	105234901	Bolt, M6-1 X 12mm Lg, Ed65	1
		<p>Note: To identify your transaxle, locate the serial number decal on the axle tube.</p>	

13

G



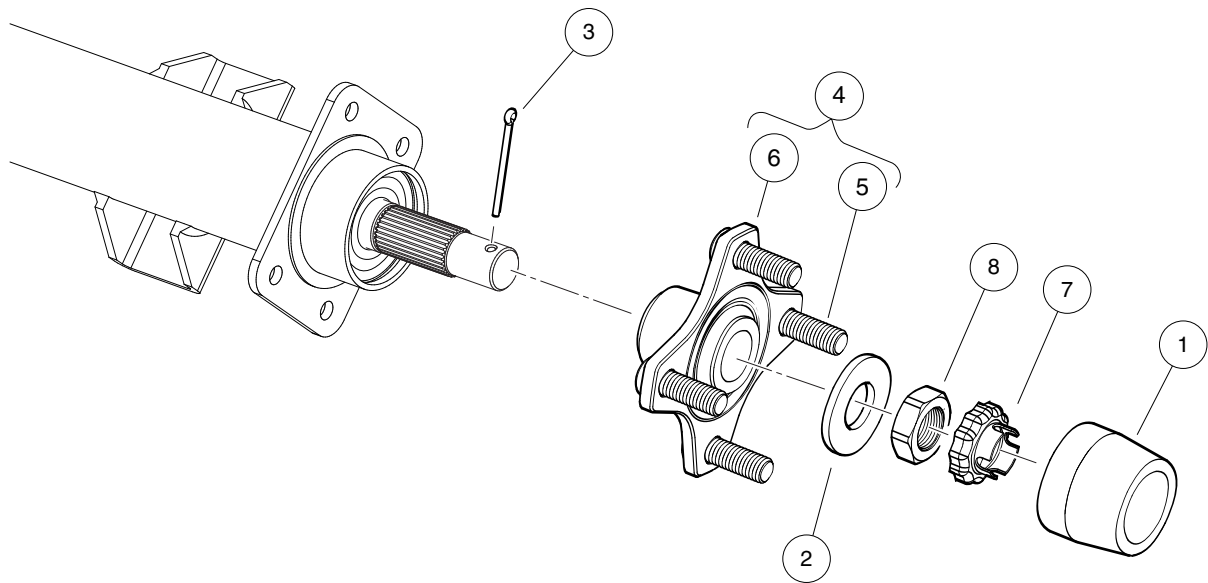
000919-004

TRANSAXLE (ED65), OPEN – PAGE 3 OF 3

ITEM	PART NO.	DESCRIPTION	QTY
		1 2 3 4	
1	105030401	Axle Tube, Driver-Side, ED65	1
2	105030501	Axle Tube, Passenger-Side, ED65	1
3	105030601	Snap Ring, 52mm, ED65	2
4	105030801	Bolt, Flange, M10-1.25x25, ED65	10
5	105031001	Differential, Open, ED65 (includes items 6 through 12)	1
6	105029301	Case, Differential, Complete, ED65 (includes items 7 through 10)	1
7	105028101	Bearing, Ball (6006)	1
8	105029401	Gear Set, Differential, ED65	1
9	105029601	Shaft, Differential, ED65	1
10	105029701	Pin, 4x40 Long, ED65	1
11	105029501	Bolt, M10-1.25x26mm Lg, ED65	6
12	105029901	Gear, 60 Tooth, Complete, ED65 (includes item 13)	1
13	105029801	Bearing, Ball (6007)	1
14	105066001	Axle Shaft, Driver-Side, Complete, ED65 (includes item 15)	1
15	105030301	Bearing, Ball (6205DD)	1
16	105066101	Axle Shaft, Passenger-Side, Complete, ED65 (includes item 17)	1
17	105030301	Bearing, Ball (6205DD)	1
		Note: To identify your transaxle, locate the serial number decal on the axle tube.	

13

G



000919-006

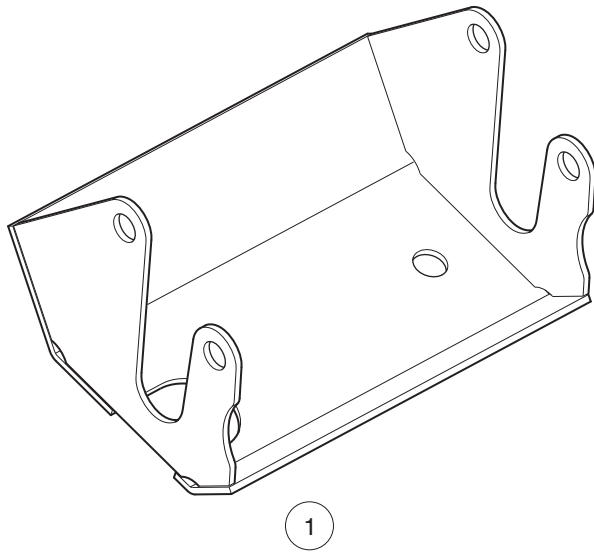
HUB, REAR

ITEM	PART NO.	DESCRIPTION	QTY
		1 2 3 4	
1	102274101	Center Cap, Rubber	2
2	102617801	Washer, Hard, M22	2
3	103989501	Pin, Cotter, 9/64 X 1.75"	2
4	103995001	Asm, Hub, Machined (includes items 5 and 6)	2
5	103951501	Lug Stud, 1/2-20 UNF, SAE J1102	4
6	103979301	Hub, Machined	1
7	104021701	Retaining Ring, Hex Nut, M22	2
8	104027101	Nut, Hex, M22x1.5, Thin	2

13
G

13

G



001436-001

DIFFERENTIAL GUARD, ED65 – GASOLINE VEHICLE

ITEM	PART NO.	DESCRIPTION	QTY
1	103989901	<div style="display: flex; justify-content: space-between; margin-bottom: 5px;"> 1 2 3 4 </div> Weldment, Diff Guard, Ed65	1

13

G

13

G

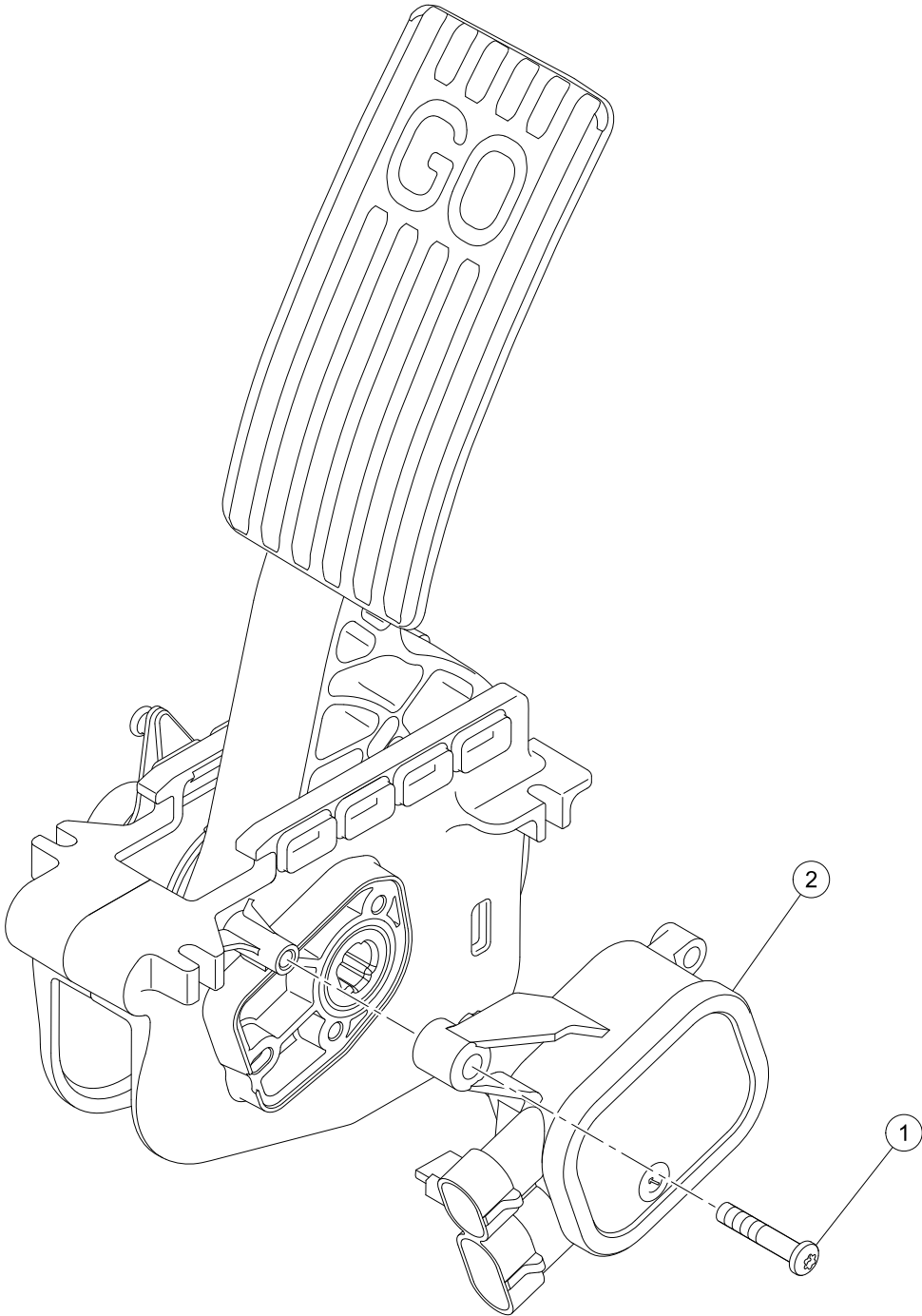
ELECTRICAL SYSTEM – EXCEL WITH HIGH FREQUENCY CHARGERS

14

E

14

E



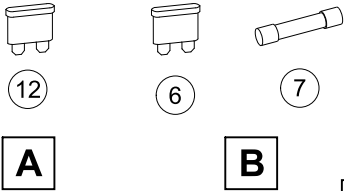
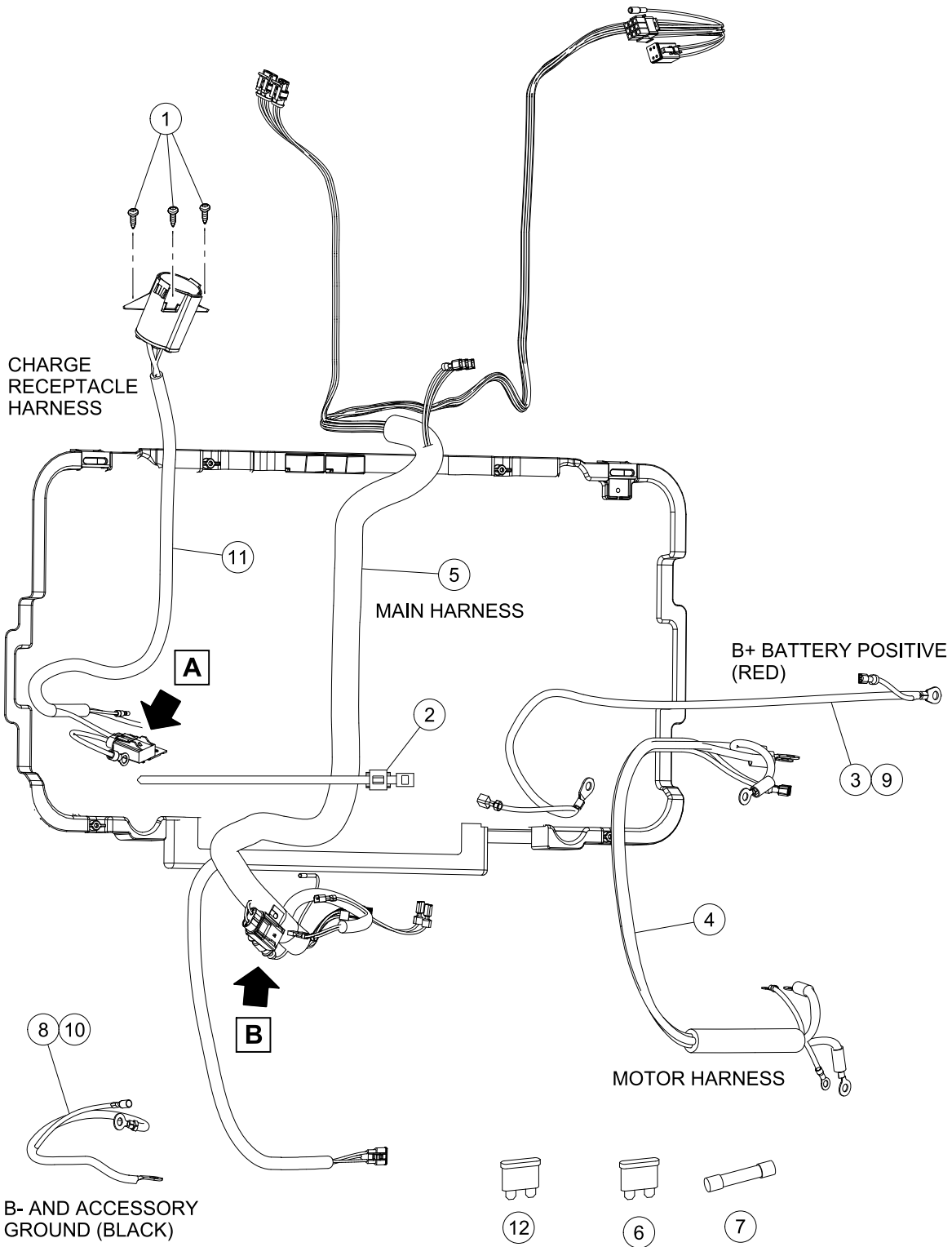
G-131199-000003

MOTOR CONTROLLER OUTPUT REGULATOR (MCOR)

ITEM	PART NO.	DESCRIPTION	QTY
1	103943401	1 2 3 4 Screw, Pan, #10 X 1.00 Hi-lo	1
2	105116301	MCOR4, Type 16 Switch	1

14

E



G-130499-000007

WIRING AND FUSES – LIFTED AND NON-LIFTED

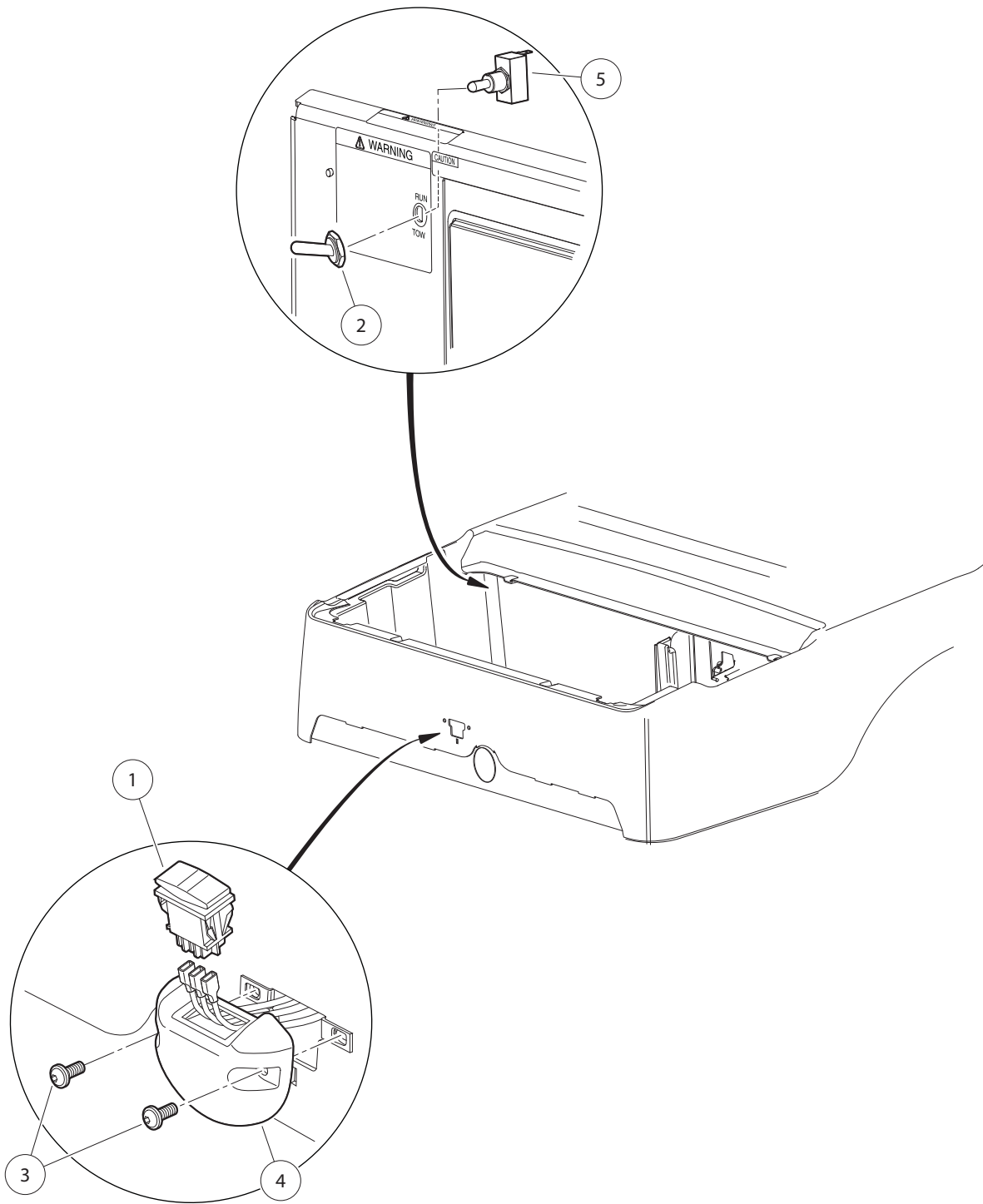
ITEM	PART NO.	DESCRIPTION	QTY
		1 2 3 4	
1	101832001	Screw, #7-19 X 0.625 Phillips Pan-Head Tap	3
2	102554901	Clip, Edge, with Wire Tie	1
3	103375402	Asm, Wire, Battery Positive, B+, Short, 6 Awg	1
4	103375702	Asm, Harness, Motor 1/4	1
5	104023201	Harness, Main, Excel w/Hi-Freq, Mcor3 (includes items 6 and 7)	1
6	102538601	15 Amp Fuse	1
7	103924801	Fuse, Glass, 2-Amp	1
8	104024001	Asm, Wire, Battery Negative, B-, w/ Accy Ground, 6 Awg	1
9	105065601	Asm, Ev Batt Pos 4 Awg	1
10	105065701	Wire, B- W/acc Gnd 4 Awg	1
11	105137401	Harness, Wire, Charger Receptacle (for Yellow DC Cord) (includes item 12)	1
12	102492301	Fuse, 30-Amp	1
		Note: Items 3 and 8 apply to non-lifted vehicles only. Items 9 and 10 apply to lifted vehicles only.	

14

E

14

E



000462-004

FORWARD/REVERSE SWITCH AND TOW/RUN SWITCH

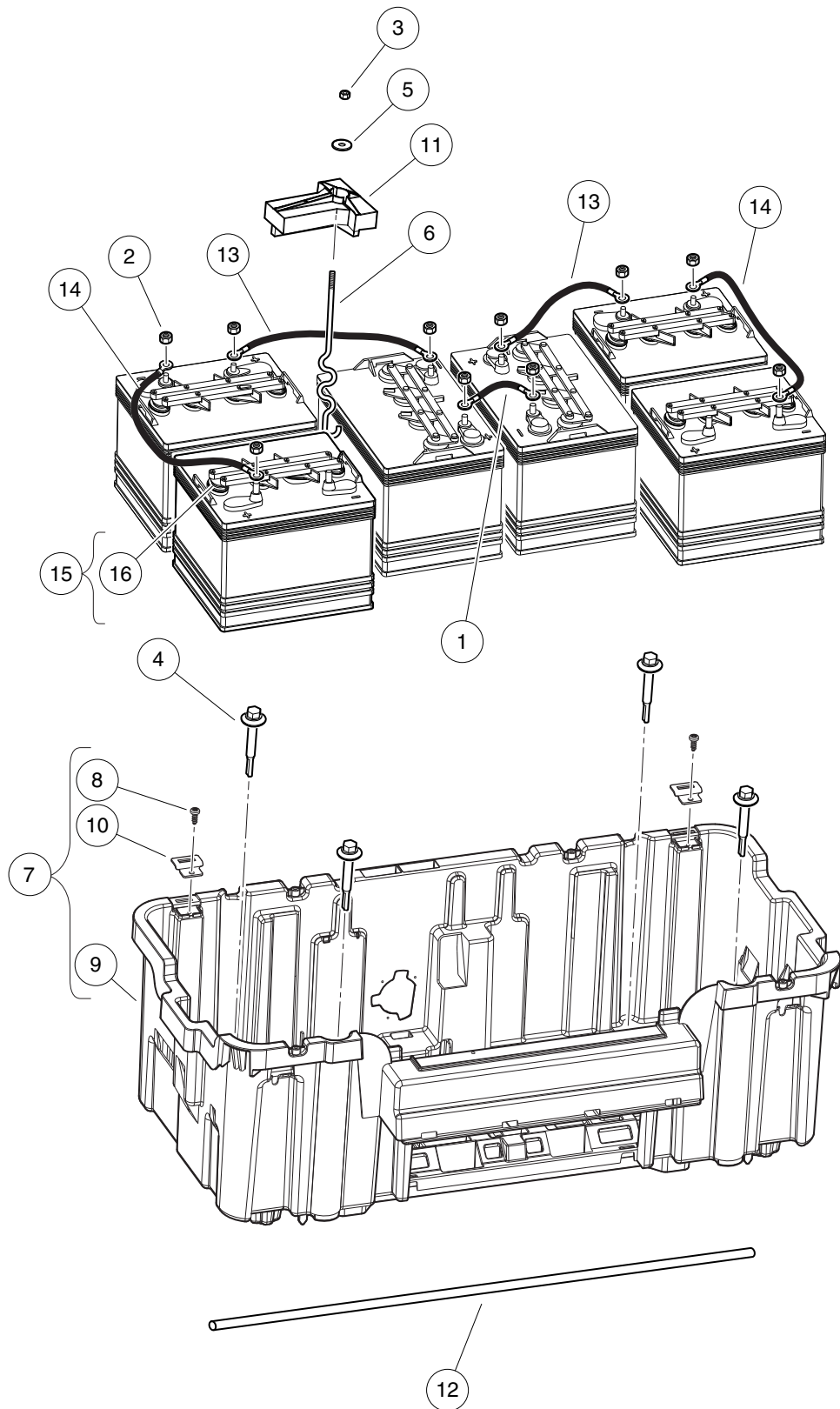
ITEM	PART NO.	DESCRIPTION	QTY
		1 2 3 4	
1	101856001	Switch, Rocker, Double-Pole	1
2	101908401	Boot, Switch	1
3	102296920	Screw, M6, Torx Button Head, Sems	2
4	102508401	Housing, FNR Electric	1
5	102511101	Switch, Tow/Run	1

14

E

14

E



000682-001

BATTERIES AND BATTERY BUCKET, PD+ 8-VOLT, NON-LIFTED

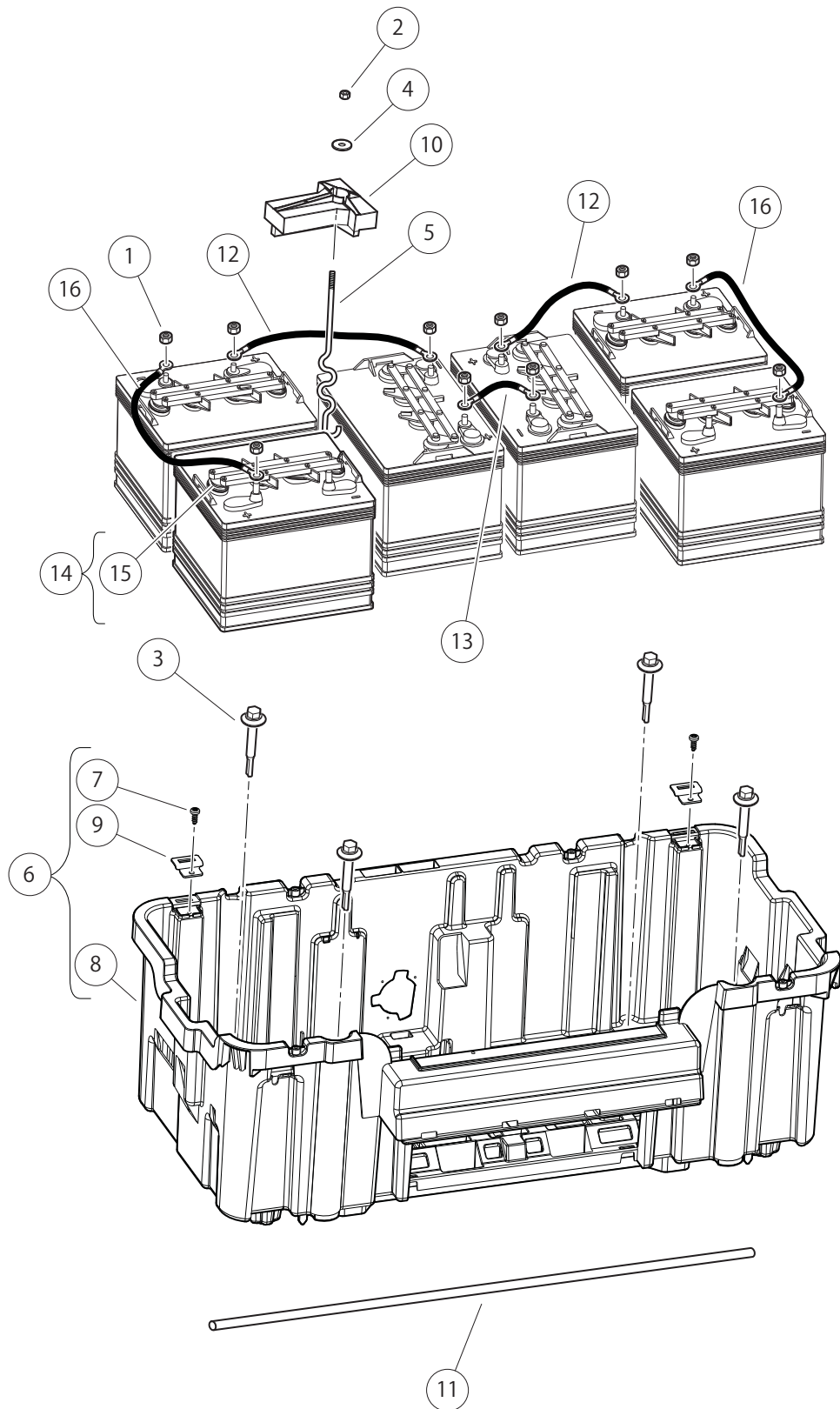
ITEM	PART NO.	DESCRIPTION	QTY
		1 2 3 4	
1	1010958	Asm, Wire, #6blk 8in	1
2	1014304	Nut, 5/16-18 Stainless-Steel Hex	12
3	1014555	Locknut, 7/16-14 Nylon Hex	2
4	102292356	Screw-1/4-20x56 Hwh Self Drill	4
5	102491501	Washer, Hard, M10	2
6	103357701	Bolt, Battery, "s" Hold-down	2
7	103368401	Asm, Bucket, Batt, Elec (includes items 8 through 10)	1
8	102298020	Screw, K80x20, Torx Pn Hd Pt	2
9	103350801	Bucket, Batt, Elec	1
10	103368301	Hinge - Nested	2
11	103374801	Hold Down, Battery	2
12	103375301	Tube, Cross, Battery Rod	1
13	103647402	Wire Asm #6 Blk, 12"	2
14	103647403	Wire Asm #6 Blk, 17"	2
15	103793001	Battery, 8-Volt, JCI GC8 (includes item 16)	6
16	103765601	Cap, Spin, 8-Volt Battery	1

14

E

14

E



000682-007

BATTERIES AND BATTERY BUCKET, PD+ 8-VOLT – LIFTED

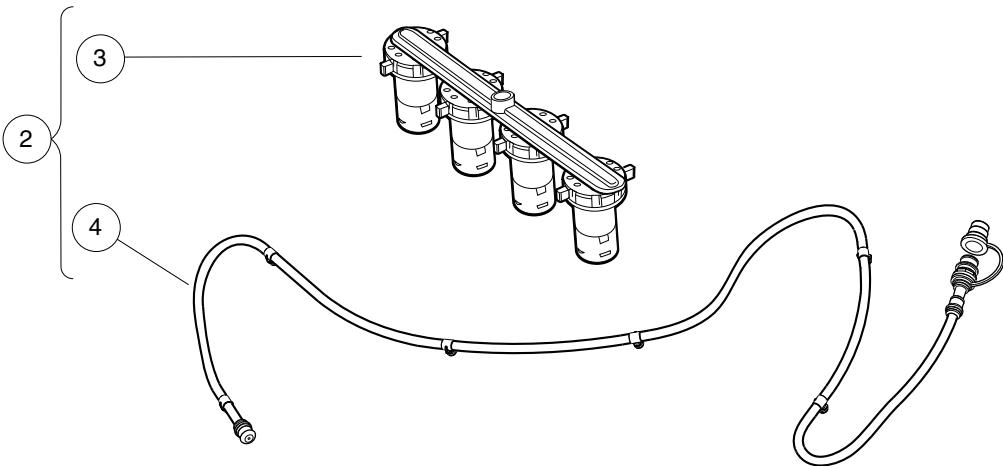
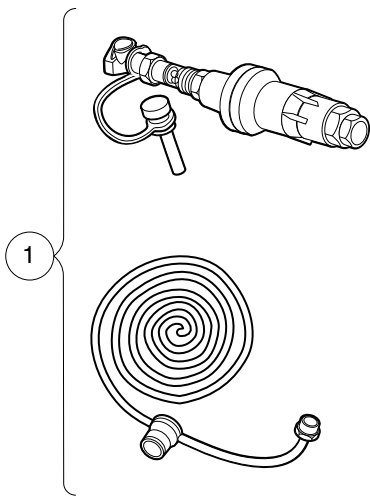
ITEM	PART NO.	DESCRIPTION	QTY
		1 2 3 4	
1	1014304	Nut, 5/16-18 Stainless-Steel Hex	12
2	1014555	Locknut, 7/16-14 Nylon Hex	2
3	102292356	Screw-1/4-20x56 Hwh Self Drill	4
4	102491501	Washer, Hard, M10	2
5	103357701	Bolt, Battery, "s" Hold-down	2
6	103368401	Asm, Bucket, Batt, Elec (includes items 7 through 9)	1
7	102298020	Screw, K80x20, Torx Pn Hd Pt	2
8	103350801	Bucket, Batt, Elec	1
9	103368301	Hinge - Nested	2
10	103374801	Hold Down, Battery	2
11	103375301	Tube, Cross, Battery Rod	1
12	103508501	Asm, Wire #4 Blk, 13 In	2
13	103508801	Asm, Wire, #4 Blk 8 In	1
14	103793001	Battery, 8-Volt, JCI GC8 (includes item 15)	6
15	103765601	Cap, Spin, 8-Volt Battery	1
16	105065403	Wire, Batt, 4awg, 455	2

14

E

14

E



000731-009

SINGLE POINT WATERING SYSTEM, 8V

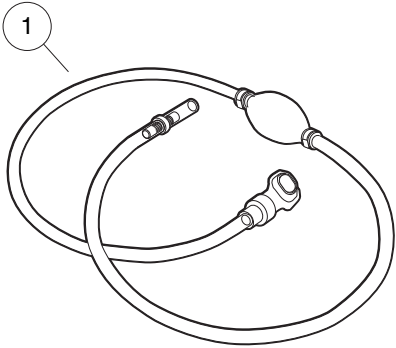
ITEM	PART NO.	DESCRIPTION	QTY
		1 2 3 4	
1	102958001	Kit Regulated Hose Sply Spws	1
2	103395505	Kit, Spws, 8 Volt Non-Trojan (includes items 3 and 4)	1
3	103510602	Spws, Manifold Asm, 8v Non-Trojan	6
4	103774701	Spws, Hose 8v Non-trojan	1
		Note: For JCI 8-Volt batteries only.	

14

E

14

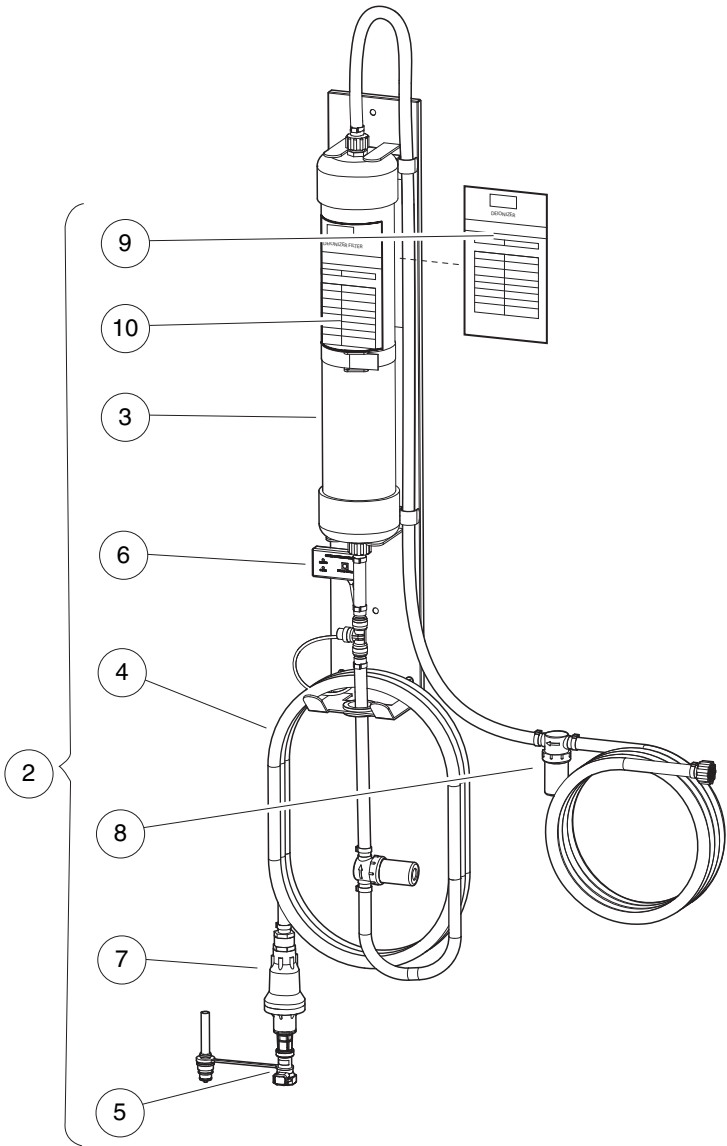
E



11



12



002523-003

HAND PUMP AND DEIONIZER (BATTERY-POWERED QUALITY LIGHT)

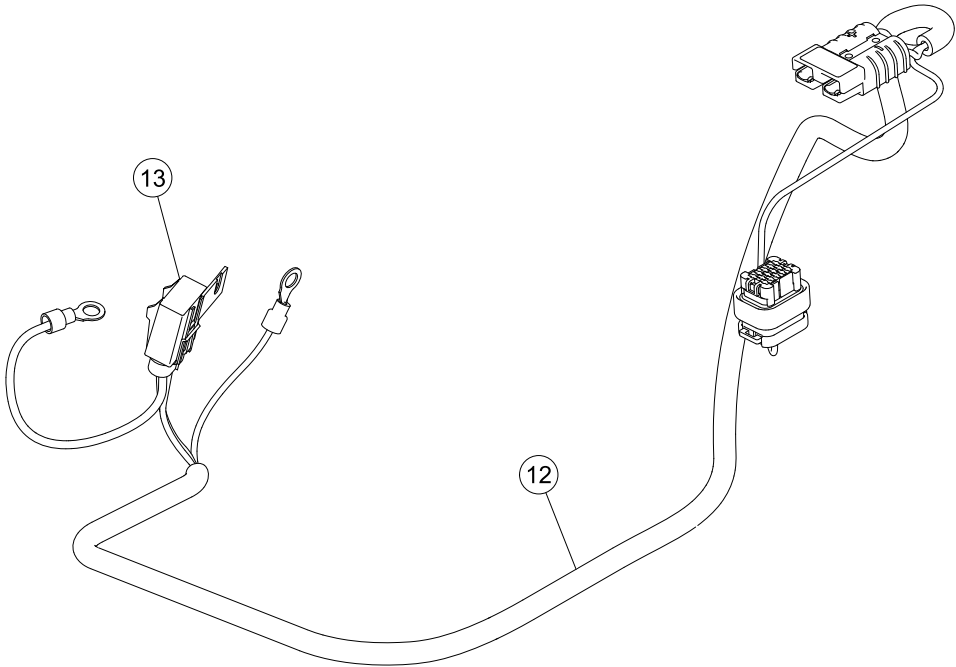
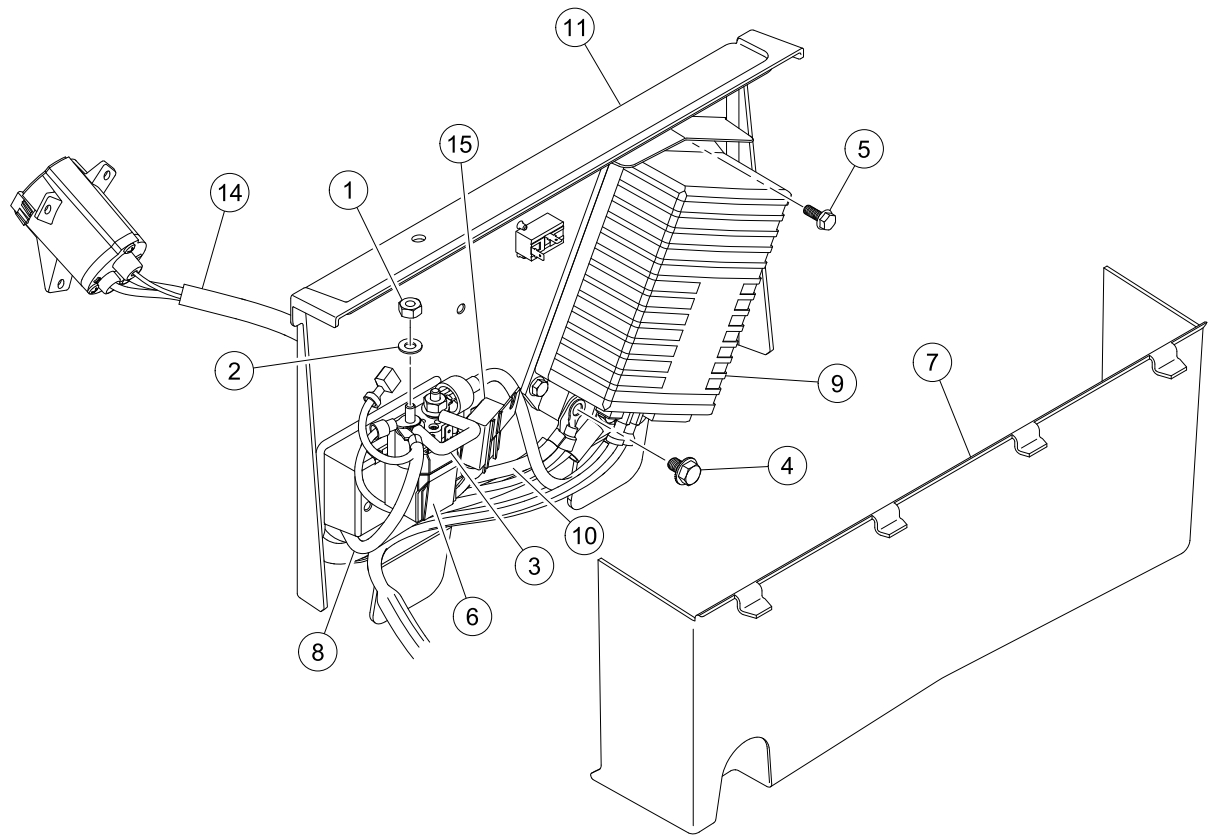
ITEM	PART NO.	DESCRIPTION	QTY
		1 2 3 4	
1	104006101	Kit, Hand Pump, Spws	1
2	105166801	Deionizer, w/Battery-Powered Water Quality Light (includes items 3 through 10)	1
3	104005901	Cartridge, Deionizer	1
4	105166901	Hose,outlet,deionizer	1
5	105167001	Flow Ind, W/coupler, Deionizer	1
6	105167101	Light, Quality, Battery-Powered, w/T-Fitting	1
7	105168501	Regulator, Pressure, Deionizer	1
8	105168601	Strainer, In-line, Deionizer	1
9	AM1300001	Decal, Filter Log, Blue	1
10	AM1300201	Decal, Inspect Log, Yellow	1
11	AM1300101	Decal, Filter Log, Blue, Pack of 100	A/R
12	AM1300301	Decal, Inspect Log, Yellow, Pack of 100	A/R

14

E

14

E



G-130499-000005

CONTROLLER, SOLENOID AND WIRING

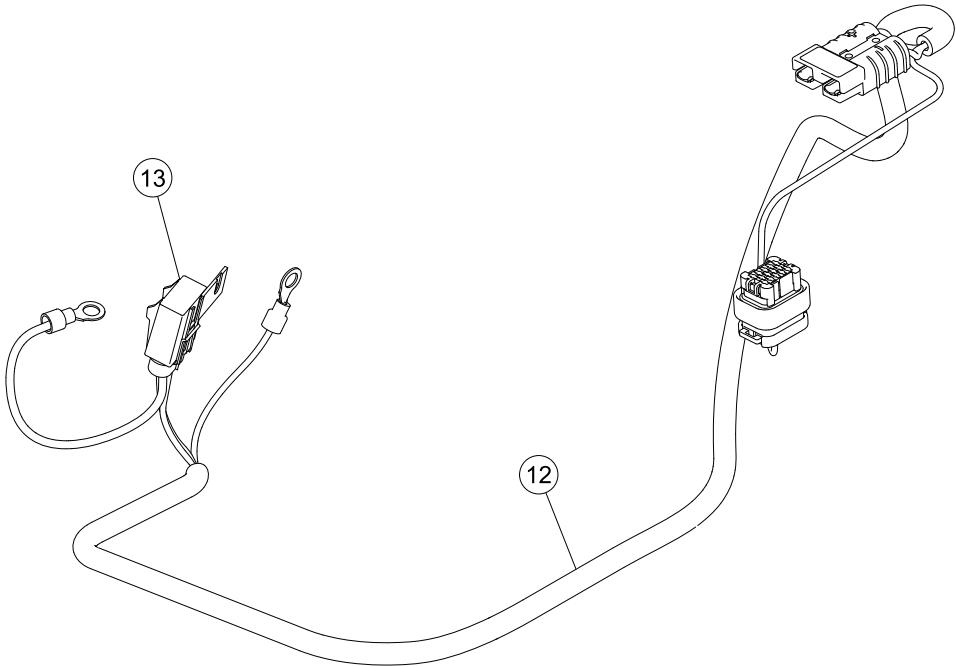
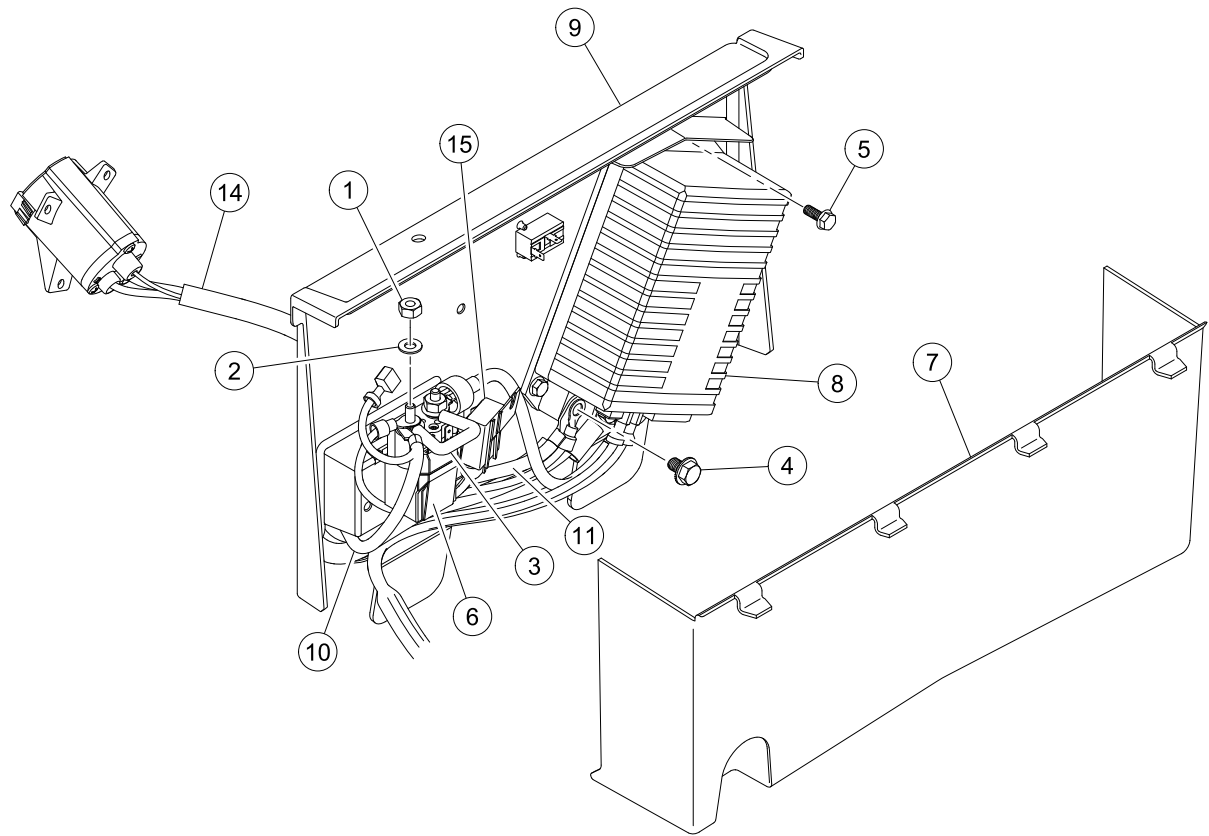
ITEM	PART NO.	DESCRIPTION	QTY
		1 2 3 4	
1	1012528	Nut, M8-1.25 Hex	2
2	1013734	Lockwasher, 8mm Split	2
3	1014947	Resistor Assembly	1
4	102240501	Bolt, Controller, Terminal	3
5	102296716	Screw, M6 X 16 Tt Hx Fl Hd	3
6	102865901	Solenoid 48v Slot Mt No Diode	1
7	103367901	Shield - Controller	1
8	103375402	Asm, Wire, Battery Positive, B+, Short, 6 Awg	1
9	103982301	Controller, 1515, 250A, White	1
10	104024001	Asm, Wire, Battery Negative, B-, w/ Accy Ground, 6 Awg	1
11	105005001	Component Mounting Plate	1
12	105084301	Harness, Wire, High-Freq Onboard Charger, 4-Pass (includes item 13)	1
13	102492301	Fuse, 30-Amp	1
14	105137401	Harness, Wire, Charger Receptacle (for Yellow DC Cord) (includes item 15)	1
15	102492301	Fuse, 30-Amp	1
		Note: Item 12 is only applicable to four passenger vehicles with on-board chargers. Replacement solenoid may vary in appearance from the original.	

14

E

14

E



G-130499-000006

CONTROLLER, SOLENOID AND WIRING – LIFTED

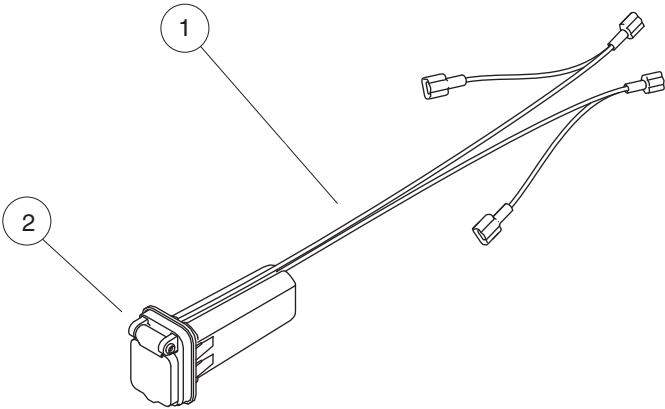
ITEM	PART NO.	DESCRIPTION	QTY
		1 2 3 4	
1	1012528	Nut, M8-1.25 Hex	2
2	1013734	Lockwasher, 8mm Split	2
3	1014947	Resistor Assembly	1
4	102240501	Bolt, Controller, Terminal	3
5	102296716	Screw, M6 X 16 Tt Hx Fl Hd	3
6	102774701	Solenoid, 48v	1
7	103367901	Shield - Controller	1
8	103982301	Controller, 1515, 250A, White	1
9	105005001	Component Mounting Plate	1
10	105065601	Asm, Ev Batt Pos 4 Awg	1
11	105065701	Wire, B- W/acc Gnd 4 Awg	1
12	105084301	Harness, Wire, High-Freq Onboard Charger, 4-Pass (includes item 13)	1
13	102492301	Fuse, 30-Amp	1
14	105137401	Harness, Wire, Charger Receptacle (for Yellow DC Cord) (includes item 15)	1
15	102492301	Fuse, 30-Amp	1
<p style="text-align: center;">Note: Item 12 is only applicable to four passenger vehicles with on-board chargers. Replacement solenoid may vary in appearance from the original.</p>			

14

E

14

E



001286-002

USB PORT KIT FOR ELECTRIC VEHICLES

ITEM	PART NO.	DESCRIPTION	QTY
1	47604230001	1 2 3 4 Kit, USB, 48v (includes item 2)	1
2	47560030001	USB Port	1

14

E

14

E

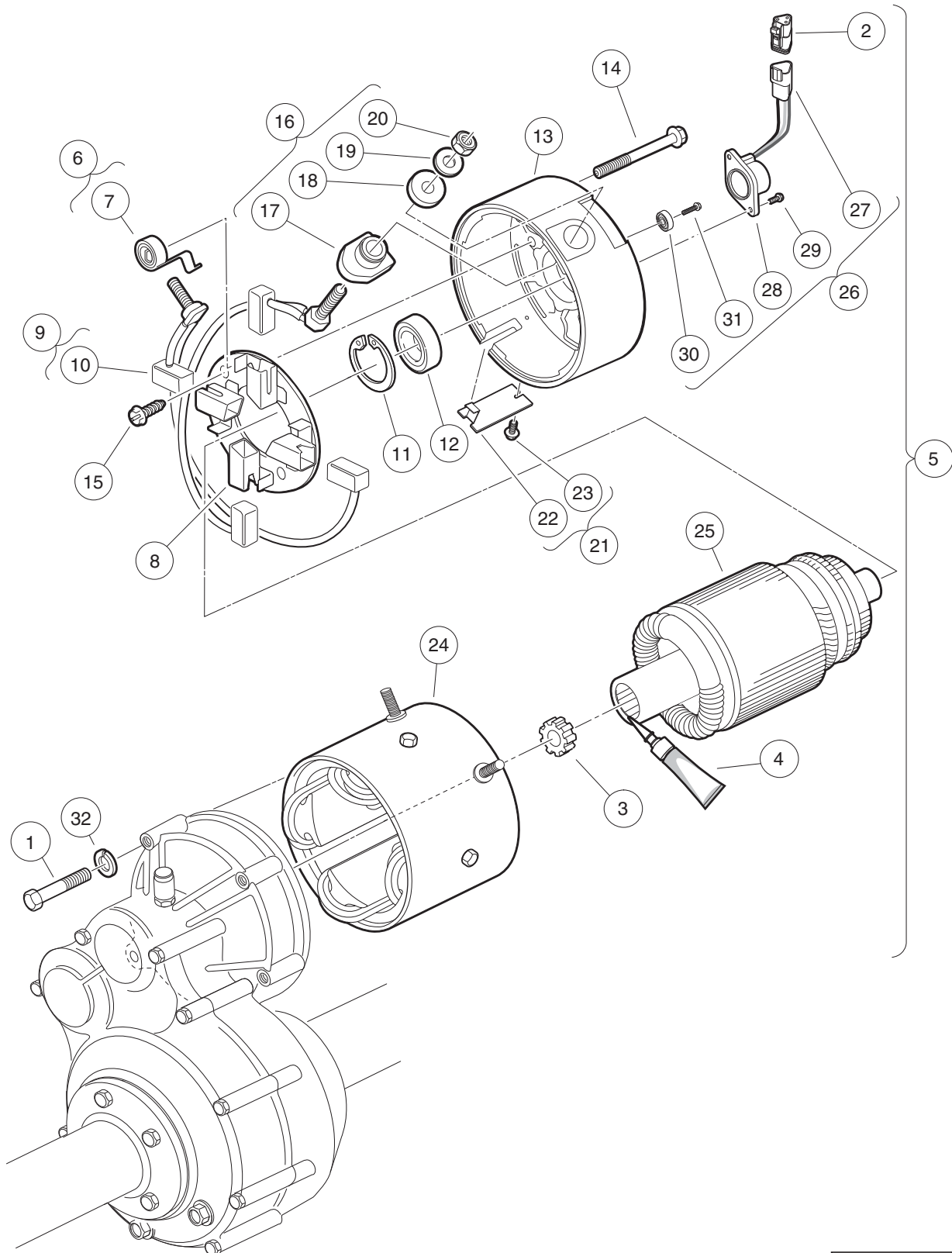
ELECTRIC MOTOR

15

E

15

E



000185-002

MOTOR (MODEL EJ8-4001A) – ELECTRIC VEHICLE

ITEM	PART NO.	DESCRIPTION	QTY
		1 2 3 4	
1	1014201	Screw, 1/4-20 X 2.25 Hex Cap	3
2	101920101	Kit, 3-Pin Wedge Lock	1
3	102235201	Bumper, Drive Unit	1
4	102243403	Lubricant, Moly-Teflon (Single-Use Tube)	1
5	103572501	IQ Electric Motor, 48-VDC 3.3 hp (includes items 6 through 26)	1
6	102186001	Spring Kit, Motor Brush (includes item 7)	1
7	N/A	Spring, Brush, S-g	4
8	102186101	Brush Box Assembly	1
9	102186201	Brush Kit, Motor (includes item 10)	1
10	N/A	Assembly, Brush and Terminal	2
11	N/A	Ring, 2.24" Internal Retaining	1
12	102186401	Bearing, Ball	1
13	102186701	End Cap, Motor	1
14	N/A	Screw, 1/4-20 X 2.25 Hex-Head Washer	2
15	102186901	Screw, #8-32 X .5 Hex-Head	2
16	102187101	Hardware Kit, Motor Terminal (includes items 17 through 20)	2
17	N/A	Bushing, Nylon	2
18	N/A	Washer, Nylon Flat	2
19	N/A	Washer, Flat, 5/16 Steel	2
20	N/A	Nut, Brass Hex, 5/16 - 18	2
21	102187201	Plate Kit, Motor Cover (includes items 22 and 23)	1
22	N/A	Assembly, Cover Plate	1
23	N/A	Screw, #8-32 x 0.375, Taptite Thread	1
24	102704701	Frame and Field Assembly	1
25	102704801	Armature Assembly	1
26	102704901	Kit, Speed Sensor (includes items 27 through 31)	1
27	101942301	Kit, 3-Pin Wedge Lock	1
28	N/A	Sensor, Motor Speed, ADC	1
29	N/A	Screw, #8-32, Taptite Thread	2
30	N/A	Magnet, ADC Motor	1
31	N/A	Screw, 1/4-20 x 0.5	1
32	451	Lockwasher, 1/4 Split	3
Note: The F1 and F2 terminal posts on the EJ8-4001A motor have 1/4 - 20			

15

E

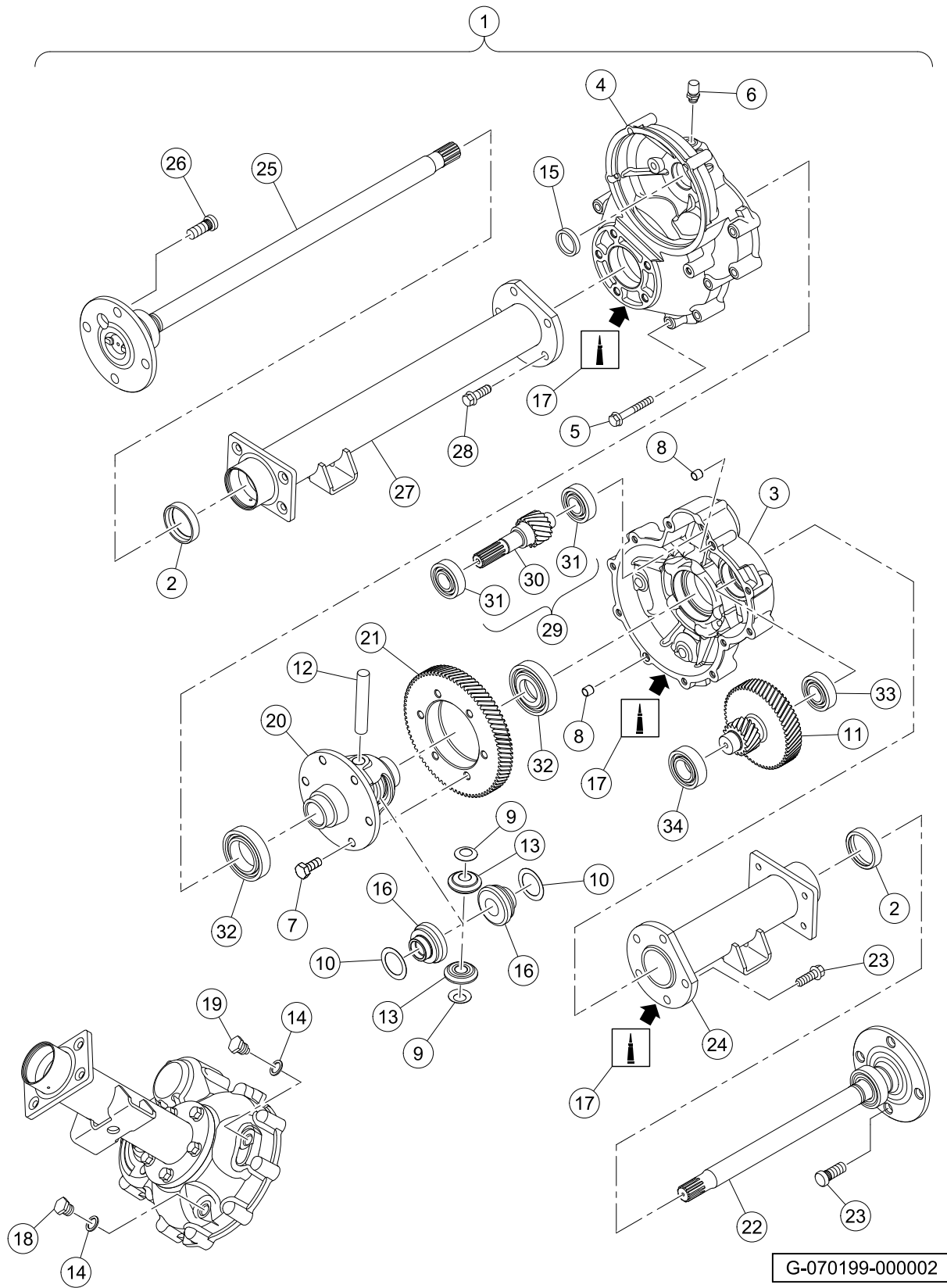
15

E

TRANSAXLE – ELECTRIC VEHICLES

16

E



TRANSAXLE – ELECTRIC VEHICLES

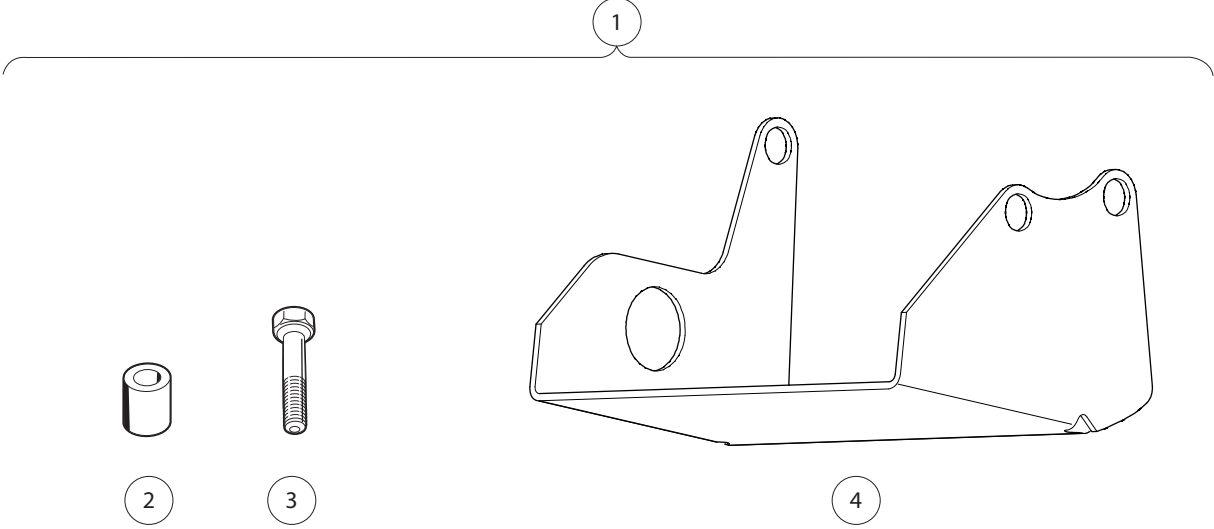
ITEM	PART NO.	DESCRIPTION	QTY
		1 2 3 4	
1	102771701	Transaxle, Electric (includes items 2 through 34)	1
2	1013794	Axle Shaft Oil Seal	2
3	101895401	Gear Case, Driver-Side	1
4	101895501	Gear Case, Passenger-Side	1
5	101897001	Screw, M8-1.25 X 60mm Hex-Head	11
6	101897201	Breather	1
7	101897401	Screw, M10-1.25 X 25mm	6
8	101897601	Pin, 11mm OD X 8.5mm ID X 10mm	2
9	101903601	Washer, Thrust	2
10	101903701	Washer, Thrust	2
11	101906901	Intermediate Shaft Assembly	1
12	101922101	Pin, 15.99mm X 88.7mm Dowel	1
13	101923001	Gear, Differential Idler	2
14	101923201	Gasket	2
15	101923501	Seal, Lip	1
16	101923901	Gear, Differential	2
17	101928701	Liquid Gasket (Transaxle case)	1
18	101972101	Plug, M14-1.5 X 12mm Magnetic	1
19	101972201	Plug, M14-1.5 X 12mm Hex	1
20	102356601	Housing, Differential, 6 Bolt	6
21	102356801	Gear, Differential Output, 6-Bolt	6
22	102886301	Axle Assembly, Driver-Side (includes item 23)	1
23	101922201	Lug Stud	4
24	102886401	Tube, Axle, Driver-Side	1
25	102886501	Axle Assembly, Passenger-Side (includes item 26)	1
26	101922201	Lug Stud	4
27	102886601	Tube, Axle, Passenger-Side	1
28	102902801	Screw, M10 X 30	10
29	103582801	Asm, E Trans Shaft/bearing (includes items 30 and 31)	1
30	N/A	Shaft, Input	1
31	7335	Bearing	2
32	7330	Inner Axle Tube Bearing	2
33	7335	Bearing	1
34	7336	Bearing	1
		Note: Item 34 bearing OD is 2.047 inches (52 mm). Item 33 bearing OD is 1.850 inches (47 mm).	

16

E

16

E



000365-002

DIFFERENTIAL GUARD – ELECTRIC VEHICLES

ITEM	PART NO.	DESCRIPTION	QTY
		1 2 3 4	
1	101611402	Kit, Differential Guard, Elec Vehicles (includes items 2 through 4)	1
2	101914001	Spacer, Steel	2
3	101936101	Screw, M10-1.50 X 60mm Hex Cap	2
4	101978601	Guard, Differential, Electric Vehicle Transaxle	1

16

E

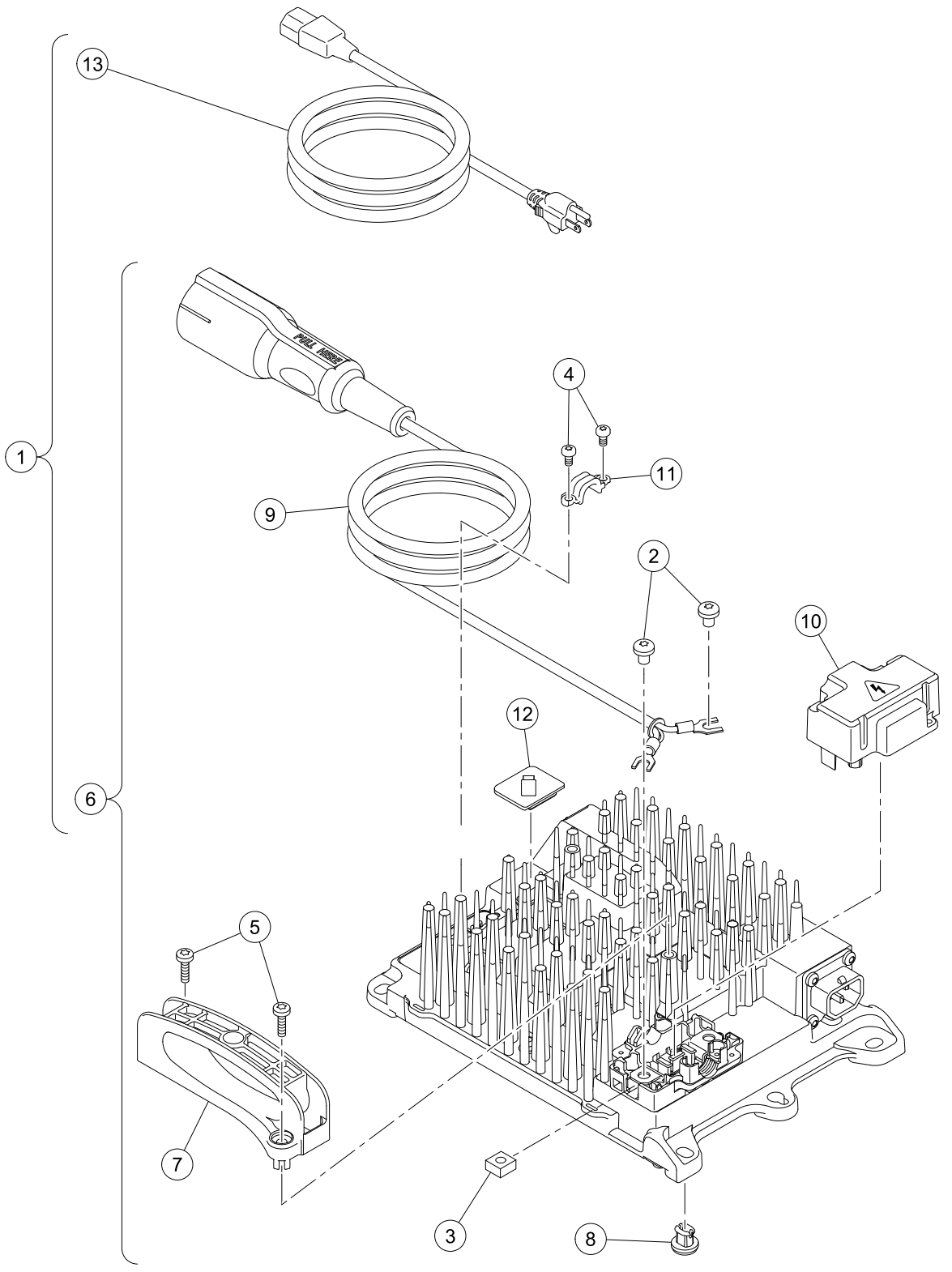
16

E

BATTERY CHARGERS – HIGH-FREQUENCY

17

E



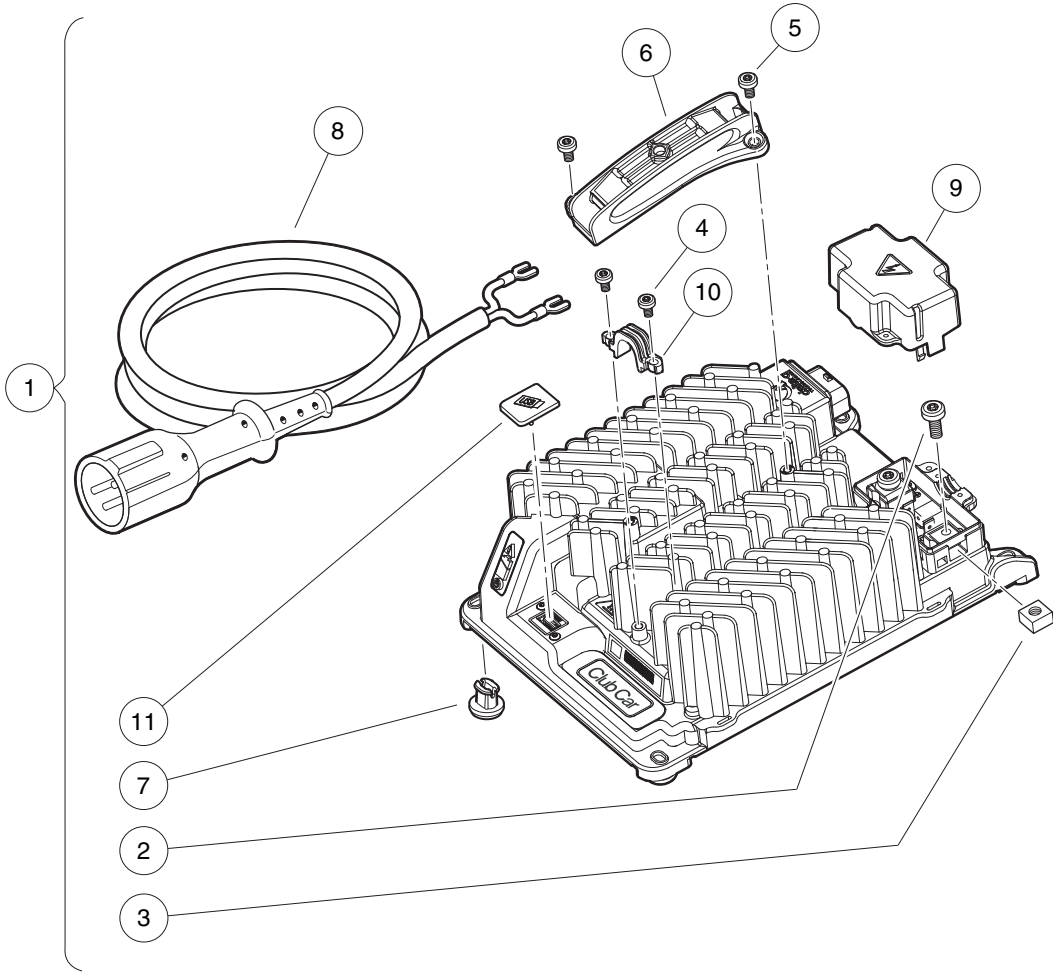
G-130899-000011

JCI BATTERY CHARGER, HIGH-FREQUENCY – U.S./CANADA

ITEM	PART NO.	DESCRIPTION	QTY
		1 2 3 4	
1	105095201	Charger, High-Freq, Service, 9ft Yel DC, 6ft AC, US/Canada (includes items 2 through 12)	1
2	104024501	Screw, M6, Torx Head	2
3	104024601	Nut, M6, Square, Captured	2
4	104028901	Screw, M4 X .70, Pan Hd, Torx	2
5	104029001	Screw, M5 X .80, Pan Hd, Torx	2
6	104029601	Charger, Asm, High-Freq, 9ft (2.74 m) Yellow DC Cord	1
7	105003601	Handle, Charger, High-Freq	1
8	105003701	Foot, Charger, High-Freq	4
9	105070101	Cord, DC, Yellow, 9ft (2.74 m)	1
10	105092301	Cover, DC Terminal Block, High-Freq Charger	1
11	105093101	Strain Relief, High-Freq, External, Charger	1
12	105123801	Cover, USB	1
13	47606837002	Cord, Ac, lec320, 6Us'	1
<p>Note: This charger includes both an AC cord and DC cord. For additional cord lengths that may be used with this charger, see the Battery Charger Cords page.</p>			

17

E



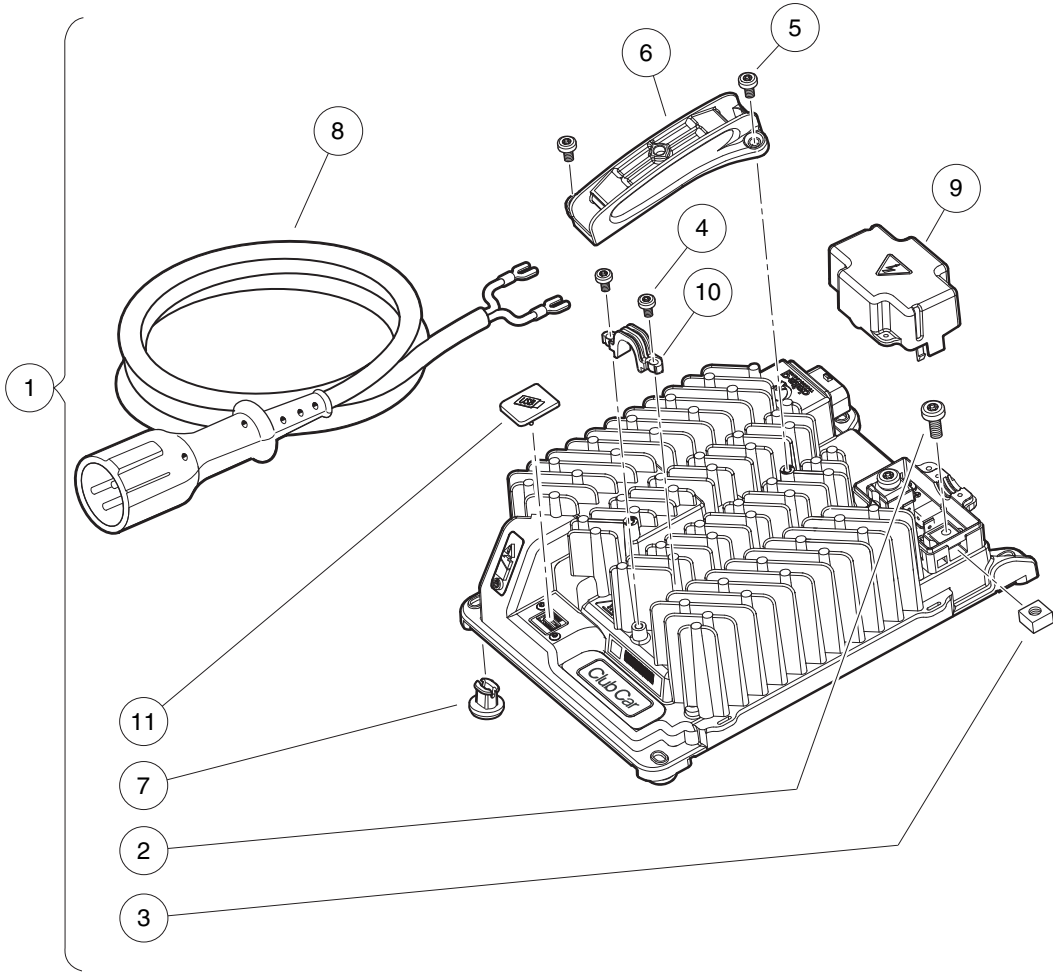
000610-003

BATTERY CHARGER, HIGH-FREQ., 2.74 M DC CORD – GLOBAL

ITEM	PART NO.	DESCRIPTION	QTY
		1 2 3 4	
1	104029601	Charger, Asm, High-Freq, 9ft (2.74 m) Yellow DC Cord (includes items 2 through 11)	1
2	104024501	Screw, M6, Torx Head	2
3	104024601	Nut, M6, Square, Captured	2
4	104028901	Screw, M4 X .70, Pan Hd, Torx	2
5	104029001	Screw, M5 X .80, Pan Hd, Torx	2
6	105003601	Handle, Charger, High-Freq	1
7	105003701	Foot, Charger, High-Freq	4
8	105070101	Cord, DC, Yellow, 9ft (2.74 m)	1
9	105092301	Cover, DC Terminal Block, High-Freq Charger	1
10	105093101	Strain Relief, High-Freq, External, Charger	1
11	105123801	Cover, USB	1
<p>Note: This charger does not include the AC cord. To complete the charger, choose the appropriate type and length of AC cord found on the Battery Charger Cords page.</p>			

17

E



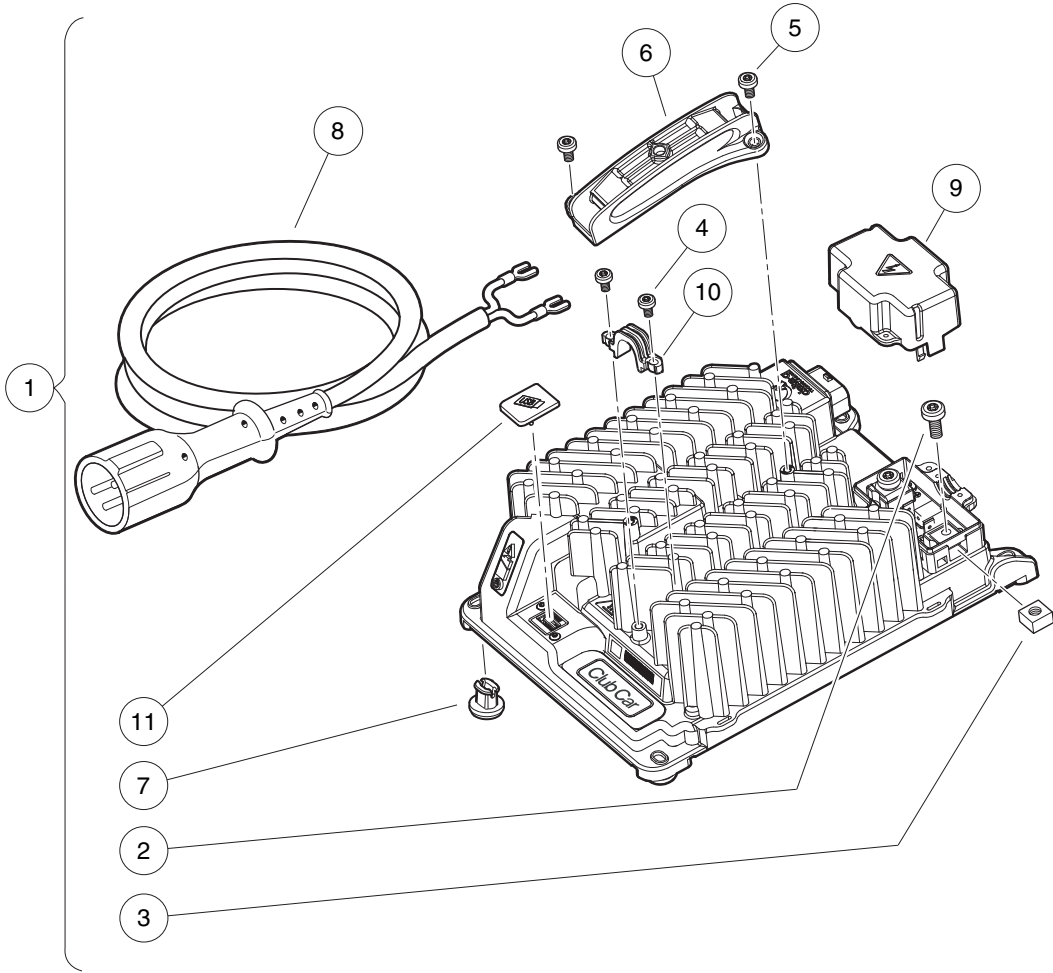
000610-003

BATTERY CHARGER, HIGH-FREQ., 3.66 M DC CORD – GLOBAL

ITEM	PART NO.	DESCRIPTION	QTY
		1 2 3 4	
1	104029602	Charger, Asm, High-Freq, 12ft (3.66 m) Yellow DC Cord (includes items 2 through 11) ..	1
2	104024501	Screw, M6, Torx Head	2
3	104024601	Nut, M6, Square, Captured	2
4	104028901	Screw, M4 X .70, Pan Hd, Torx	2
5	104029001	Screw, M5 X .80, Pan Hd, Torx	2
6	105003601	Handle, Charger, High-Freq	1
7	105003701	Foot, Charger, High-Freq	4
8	105070102	Cord, DC, Yellow, 12ft (3.66 m)	1
9	105092301	Cover, DC Terminal Block, High-Freq Charger	1
10	105093101	Strain Relief, High-Freq, External, Charger	1
11	105123801	Cover, USB	1
<p>Note: This charger does not include the AC cord. To complete the charger, choose the appropriate type and length of AC cord found on the Battery Charger Cords page.</p>			

17

E



000610-003

BATTERY CHARGER, HIGH-FREQ., 6.1 M DC CORD – GLOBAL

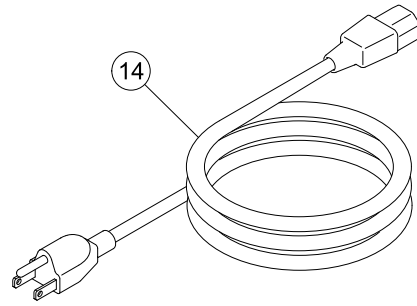
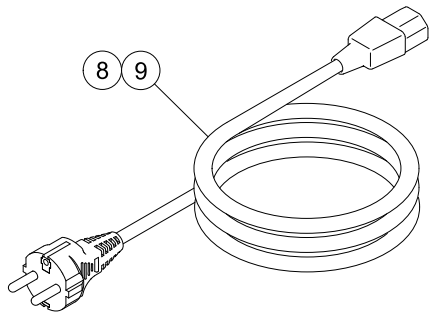
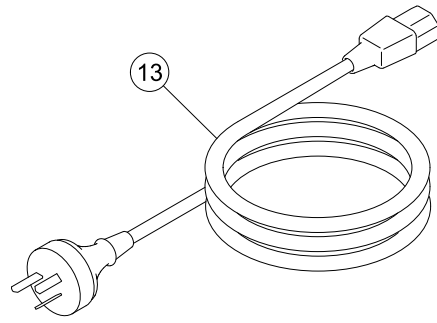
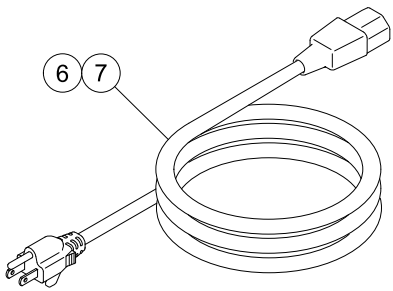
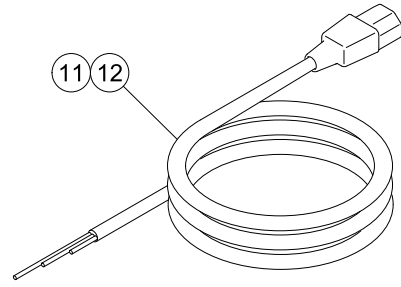
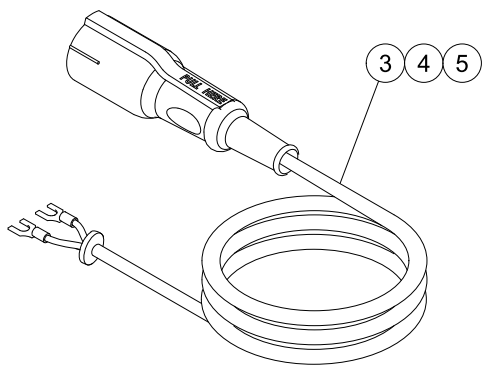
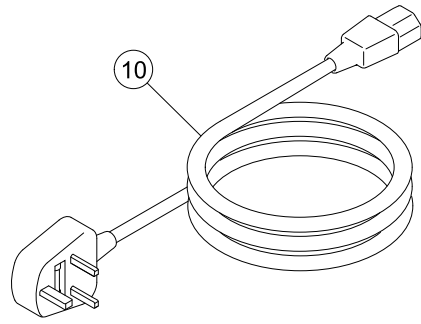
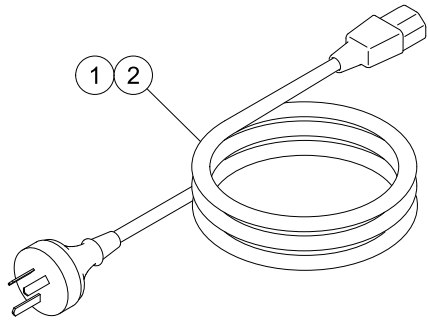
ITEM	PART NO.	DESCRIPTION	QTY
		1 2 3 4	
1	104029603	Charger, Asm, High-Freq, 20ft (6.1 m) Yellow DC Cord (includes items 2 through 11)	1
2	104024501	Screw, M6, Torx Head	2
3	104024601	Nut, M6, Square, Captured	2
4	104028901	Screw, M4 X .70, Pan Hd, Torx	2
5	104029001	Screw, M5 X .80, Pan Hd, Torx	2
6	105003601	Handle, Charger, High-Freq	1
7	105003701	Foot, Charger, High-Freq	4
8	105070103	Cord, DC, Yellow, 20ft (6.1 m)	1
9	105092301	Cover, DC Terminal Block, High-Freq Charger	1
10	105093101	Strain Relief, High-Freq, External, Charger	1
11	105123801	Cover, USB	1
<p>Note: This charger does not include the AC cord. To complete the charger, choose the appropriate type and length of AC cord found on the Battery Charger Cords page.</p>			

17

E

17

E



G-130899-000012

CORDS – BATTERY CHARGER, HIGH-FREQUENCY

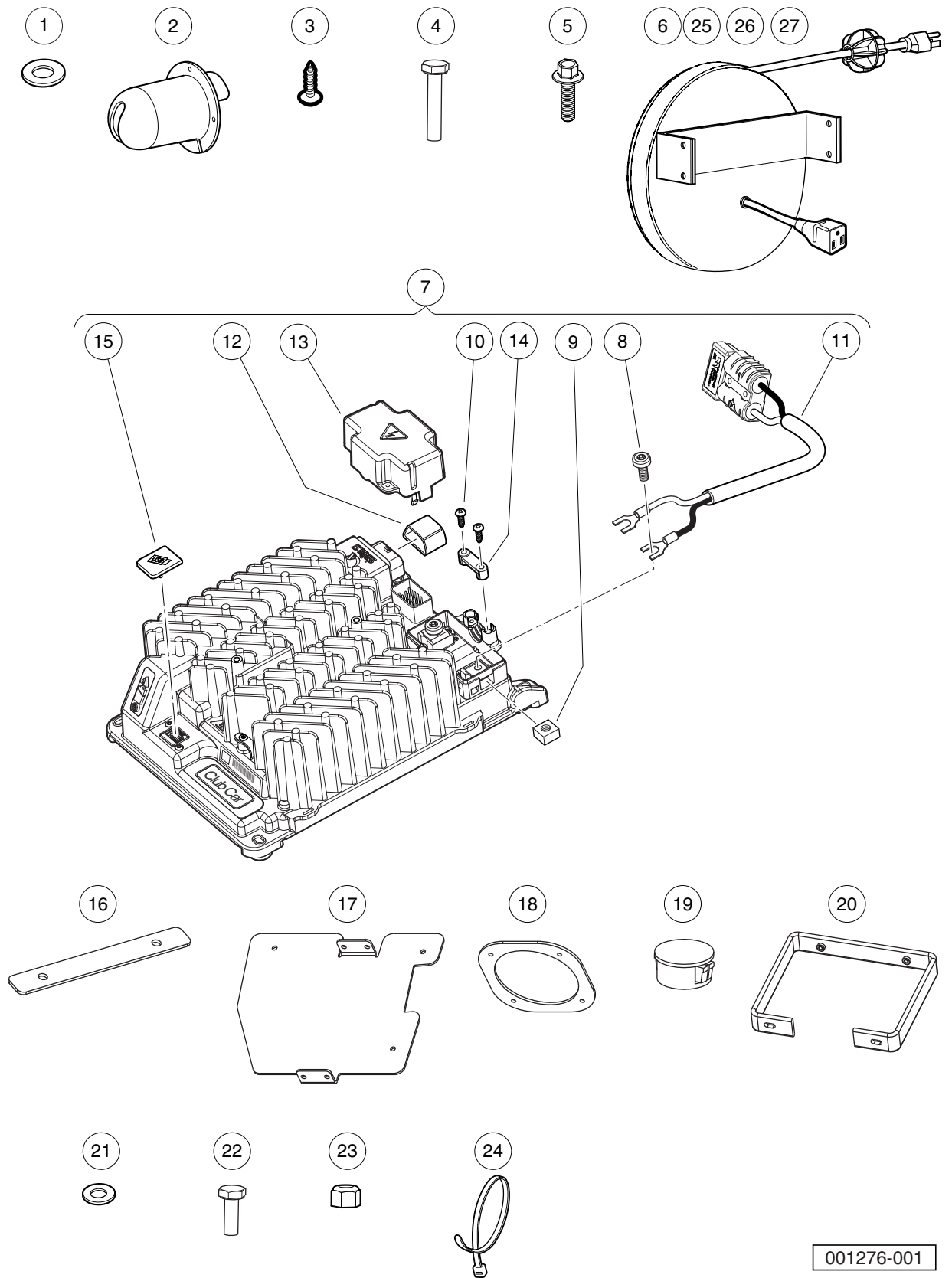
ITEM	PART NO.	DESCRIPTION	QTY
		1 2 3 4	
1	105068201	Cord, AC, lec320, 6ft (1.83 m), China	A/R
2	105068202	Cord, AC, lec320, 9ft (2.74 m), China	A/R
3	105070101	Cord, DC, Yellow, 9ft (2.74 m)	A/R
4	105070102	Cord, DC, Yellow, 12ft (3.66 m)	A/R
5	105070103	Cord, DC, Yellow, 20ft (6.1 m)	A/R
6	47606837001	Cord, Ac, lec320, 9Us'	A/R
7	47606837002	Cord, Ac, lec320, 6Us'	A/R
8	47612314001	Cord, Ac, lec320, 6, Eu'	A/R
9	47612314002	Cord, Ac, lec320, 9, Eu'	A/R
10	47612315002	Cord, Ac, lec320, 9, Gb'	A/R
11	47612316001	Cord, Ac, lec320, 6, Non-term'	A/R
12	47612316002	Cord, Ac, lec320, 9, Non-term'	A/R
13	47612317002	Cord, Ac, lec320, 9, Australi'	A/R
14	47612318002	Cord, ac, lec320, 9, Japan'	A/R

17

E

17

E



001276-001

BATTERY CHARGER, HIGH-FREQUENCY – ONBOARD

ITEM	PART NO.	DESCRIPTION	QTY
		1 2 3 4	
1	1014306	Washer, 1/4" Type B Flat	3
2	1016673	Housing, Cord Reel	1
3	101832001	Screw, #7-19 X 0.625 Phillips Pan-Head Tap	4
4	101861901	Screw, 1/4-20 X 1.125 Hex Cap	4
5	102541401	Bolt-m6x1.0x20 Hex Flhd Blk-I	4
6	103872701	Cord Reel, Hf Charger	1
7	105083001	Charger, Asm, High-Freq, Onboard (includes items 8 through 15)	1
8	104024501	Screw, M6, Torx Head	2
9	104024601	Nut, M6, Square, Captured	2
10	104029301	Screw, M3x1.5, Plastic Tapping	2
11	105084401	Cord, DC, Onboard	1
12	105086801	Sleeve, lec 320 C14	1
13	105092301	Cover, DC Terminal Block, High-Freq Charger	1
14	105094101	Strain Relief, DC Block, High-Freq, Onboard, Charger	1
15	105123801	Cover, USB	1
16	105299001	Plate, Charger, Mtg, Ubdy	2
17	105299101	Plate, Cord Reel, Mtg, Unbody	1
18	105299601	Plate, Backing, Charge Port	1
19	105300801	Plug, Push In, 61/64" Diameter	1
20	105315201	Asm, Bracket, Obc Eric Mount	2
21	332	Washer, 1/4 Type A Narrow Flat	8
22	7847	Screw, 1/4-20 X 0.75 Hex-Head Cap	7
23	8233	Locknut, 1/4-20, Nylon Insert	4
24	8990	Tie Wrap, 8" Nylon	1
25	SVP738601	Cord Reel Retract 3ft 14ga Uk	1
26	SVP738701	Cord Reel Retract 3ft 14ga Eu	1
27	SVP738801	Cord Reel Retract 3ft 14ga Aus	1

17

E

17

E

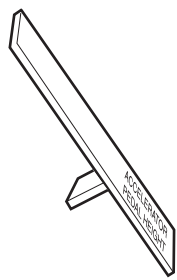
MAINTENANCE AND SERVICE TOOLS

18

G

E

18
G
E



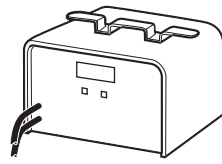
1



2



3



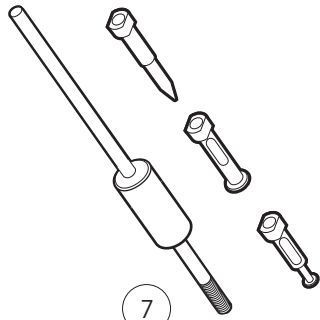
4



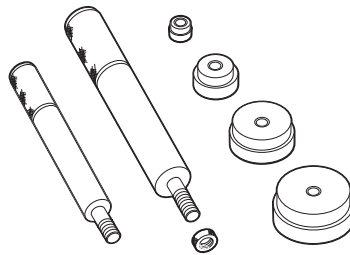
5



6



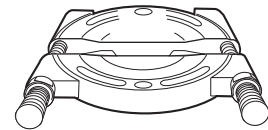
7



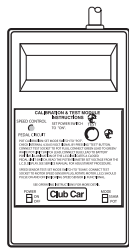
8



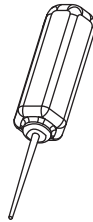
9



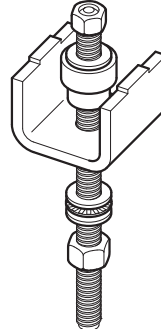
10



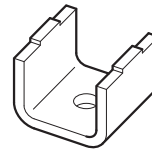
11



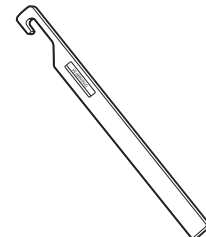
12



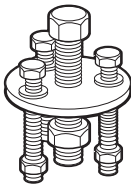
13



14



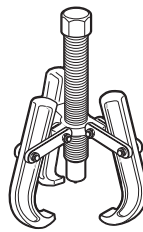
15



16



17



18



19

001060-003

MAINTENANCE AND SERVICE TOOLS

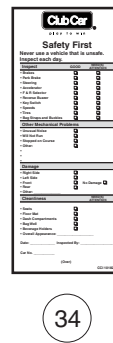
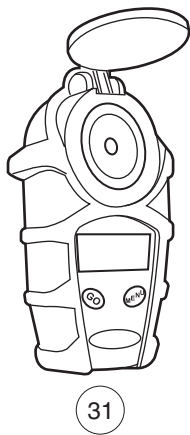
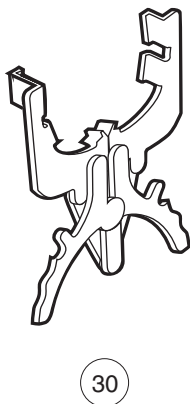
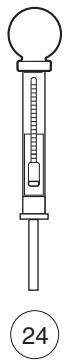
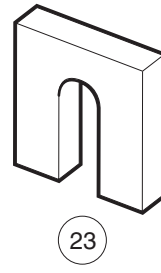
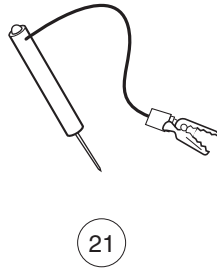
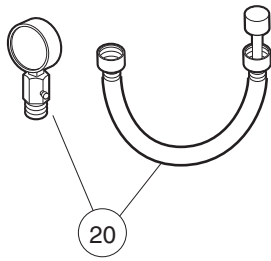
ITEM	PART NO.	DESCRIPTION	QTY GAS	QTY ELEC
		<p style="margin: 0;">1 2 3 4</p> <p style="margin: 0;">The following tool list includes all tools available from Club Car for maintenance and service procedures for gasoline and electric golf and utility vehicles. Be sure to carefully examine the tool list for applicability to your vehicle before ordering.</p>		
1	101871001	Accelerator Pedal Adjustment Tool (Utility Vehicles).....	1	1
2	101813202	Adhesive, Guide Ring, 3-Gram Tube		1
3	101641202	Arbor	1	
4	101831901	Battery Discharge Machine, 36/48 Volt		1
5	1014305	Battery Terminal Protector Spray	1	1
6	1011767	Battery Thermometer	1	1
7	1016417	Bearing and Oil Seal Remover Assembly	1	1
8	1016416	Bearing Driver Set	1	1
9	1012811	Bearing Puller	1	1
10	1012812	Bearing Puller Wedge Attachment	1	1
11	101887101	Calibration Test Module		1
12	102562401	Charger Bezel Tool		1
		Clutch Tools (items 13 - 19)	1	
13	47568549001	Driven Clutch Tool	1	
14	47568246001	Plate, Cam Press (supplied with item 13).....	1	
15	105072501	Drive Clutch Holder Tool Assembly	1	
16	1014497	Drive Clutch Hub Puller	1	
17	1014496	Drive Clutch Puller	1	
18	1014508	Driven Clutch Cam Puller	1	
19	1014507	Driven Clutch Puller Plug	1	
		<p style="margin: 10px 0;">Please refer to the maintenance and service manual for proper tool application.</p>		

18

G

E

18
G
E



001061-003

MAINTENANCE AND SERVICE TOOLS, CONTINUED

ITEM	PART NO.	DESCRIPTION	QTY GAS	QTY ELEC
		1 2 3 4		
20	101641002	Compression Gauge and Adapter	1	
21	1011273	Continuity Tester	1	1
22	1012151	Dry Moly Lubricant	1	1
23	1016418	Gear Yoke	1	1
24	1011478	Hydrometer	1	1
25	1013593	Internal Retaining Ring Pliers	1	1
26	101928701	Liquid Gasket (transaxle case)	1	1
27	102243402	Moly-Teflon Lubricant (4-oz. (113-gram) tube)		1
28	102587201	Paint Pen, Touch-Up, Underbody ,Black	1	1
29	1016414	Piston Ring Compressor Kit	1	
30	1016415	Piston Ring Pliers	1	
31	AM1285701	Refractometer	1	1
32	1012549	Retaining Ring Pliers, 45 External	1	1
33	1012560	Retaining Ring Pliers, 90 Internal	1	1
34	101823101	Safety First Card (50 per pack)	1	1
35	1012809	Seal Puller	1	1
		Please refer to the maintenance and service manual for proper tool application.		

18

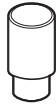
G

E

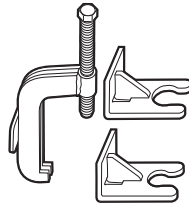
18
G
E



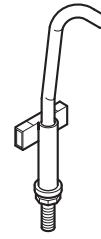
36



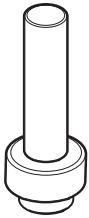
37



38



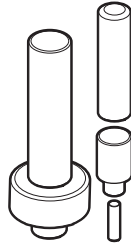
39



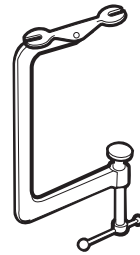
40



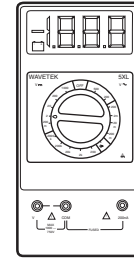
41



42



43



44



45



46



47

001062-002

MAINTENANCE AND SERVICE TOOLS, CONTINUED

ITEM	PART NO.	DESCRIPTION	QTY GAS	QTY ELEC	
		1 2 3 4			18
36	1014264	Steering Column Bearing Press Tool	1	1	G
37	1014259	Steering Column Retaining Ring Tool	1	1	E
38	102061201	Steering Wheel Puller Tool	1	1	
39	102570401	Tool, Tensioning, Starter Generator	1		
40	1014162	Transaxle Axle Seal Tool		1	
41	1014161	Transaxle Pinion Seal Tool		1	
42	1014115	Transmission Tool Kit		1	
43	101641101	Valve Spring Compressor	1		
44	1011480	Volt Ohm Meter	1	1	
45	47631025001	Kit, EFI Diagnostics	1		
46	47631026001	Kit, Bluetooth EFI Diagnostics	1		
47	47631075001	Kit, EFI Tool	1		
		Please refer to the maintenance and service manual for proper tool application.			

INDEX

Part Number and Page

AM10079	4-9, 4-13	1011415	6-15, 6-17, 6-21	1014201	15-3
AM10092	1-63	1011478	18-5	1014259	18-7
AM10419	12-9	1011480	18-7	1014264	18-7
AM1289701	7-11	1011553	1-33, 3-9	1014287	12-5, 12-7
AM1289801	7-11	1011578	1-47	1014288	12-5, 12-7
AM1289901	7-11	1011697	1-33, 11-3	1014304	14-9, 14-11
AM1290001	7-11	1011767	18-3	1014305	18-3
AM1290101	7-11	1012151	18-5	1014306	17-13
AM1290201	7-11	1012180	6-15, 6-17, 6-21	1014453	12-5, 12-7
AM1290501	7-11	1012181	6-21	1014454	12-9
AM1300001	14-15	1012182	6-21	1014496	18-3
AM1300101	14-15	1012295	8-5	1014497	18-3
AM1300201	14-15	1012431	8-17, 13-3	1014507	18-3
AM1300301	14-15	1012505	4-9, 4-13	1014508	18-3
AM15028001	1-63	1012528	14-17, 14-19	1014555	6-15, 6-17, 6-21, 14-9, 14-11
SVP738601	17-13	1012549	18-5	1014727	8-17, 13-3
SVP738701	17-13	1012560	18-5	1014807	8-17, 13-3
SVP738801	17-13	1012565	6-3, 7-3	1014947	14-17, 14-19
SVP915201	1-27	1012566	6-3, 7-3	1015064	13-3
183	4-19, 12-5, 12-7	1012571	1-19	1015332	9-9
332	1-63, 13-7, 17-13	1012594	8-17, 13-3	1015524	18-3
334	12-5, 12-7	1012649	10-7	1015583	6-15, 6-17, 6-21
451	15-3	1012809	18-5	101558302	6-15, 6-17, 6-19, 6-21, 7-13
1016	4-19	1012811	18-3	1015727	1-29
1218	1-33	1012812	18-3	101587711	10-7
1242	5-7, 5-9, 8-9, 8-11	1012836	12-9	101587712	10-7
1624	8-9	1012987	13-3	1015932	8-9
7174	8-9	1013042	6-9, 7-9	101609401	3-9
7311	1-63	1013164	6-15, 6-17, 6-21	101611402	16-5
7330	16-3	1013589	13-3	1016154	6-3, 7-3
7335	16-3	1013590	13-3	1016201	12-5, 12-7
7336	16-3	1013591	13-3	1016214	6-3, 7-3
7473	1-33	1013593	18-5	1016289	12-5, 12-7
7847	17-13	1013609	8-11	101641002	18-5
7893	4-19, 8-11	1013734	14-17, 14-19	101641101	18-7
8056	8-17	1013746	10-7	101641202	18-3
8057	8-17, 13-3	1013794	16-3	1016414	18-5
8058	8-17, 13-3	1013857	4-13	1016415	18-5
8233	1-63, 10-13, 13-7, 13-9, 17-13	1013924	5-3, 5-5, 9-7	1016416	18-3
8450	12-5, 12-7	1014007	10-13, 13-9	1016417	18-3
8717	13-3	1014051	12-7	1016418	18-5
8754	8-9	1014055	12-5, 12-7	1016673	17-13
8990	6-9, 7-9, 13-5, 17-13	1014056	12-5, 12-7	1016801	12-5, 12-7
1010145	6-15, 6-17, 6-19, 6-21, 7-13	1014057	12-5, 12-7	1016849	4-9, 4-13
1010434	1-11, 1-13, 1-25, 1-31, 5-11, 5-13, 5-15, 5-17, 8-13	1014058	12-5, 12-7	1016851	4-9, 4-13
1010436	1-29	1014059	12-5, 12-7	1016901	12-5
1010829	5-7, 5-9	1014062	12-5, 12-7	1017235	6-21
1010909	4-19	1014063	12-5, 12-7	1017686	12-9
1010921	1-33	1014065	12-5, 12-7, 13-3	101791101	5-3
1010958	14-9	1014072	12-9	101808401	18-3
1011017	4-15	1014078	12-9	101813202	18-3
1011114	10-13, 13-9	1014080	12-9	101814701	4-11
1011137	5-5	1014115	18-7	101815501	5-3, 5-5
1011273	18-5	1014145	13-3	101815502	5-3, 5-5
		1014161	18-7	101816501	5-3, 5-5
		1014162	18-7	101816502	5-3, 5-5

INDEX

101823101	18-5	102061201	18-7	102296920	1-61, 4-15, 14-7
101823201	5-3, 5-5	102155801	12-9	102297125	10-17
101823801	5-3, 5-5	102163001	1-51, 1-53	102297230	1-25, 1-27
101823901	5-3, 5-5	102186001	15-3	102297901	5-7, 5-9
101825101	3-3	102186101	15-3	102298020	1-17, 1-19, 4-15, 14-9, 14-11
101830701	4-9, 4-13	102186201	15-3	102298030	1-21, 1-27, 1-29, 5-11, 5-13, 5-15, 5-17
101831901	18-3	102186401	15-3	102298116	6-7, 7-7, 9-9
101832001	14-5, 17-13	102186701	15-3	102298130	6-7, 7-7
101833401	12-9	102186901	15-3	102298170	6-15, 6-17, 6-21, 6-23, 7-15
101834502	4-9, 4-13	102187101	15-3	102298175	6-15, 6-17, 6-19, 6-21, 7-13
101834601	9-7	102187201	15-3	102298240	1-25, 1-47
101834602	9-7	102196901	4-9	102298401	1-3, 1-5, 1-9, 1-37, 6-15, 6-17, 6-19, 6-21, 7-13, 9-9, 11-3
101835601	1-47	102199001	4-13	102298580	1-3, 6-15, 6-17, 6-21
101850301	6-3, 6-5, 7-3, 7-5	102235201	15-3	102298601	1-3, 6-15, 6-17, 6-21
101851101	4-9, 4-13	102240501	14-17, 14-19	102298716	1-27
101856001	14-7	102242101	12-9	102298720	1-5, 1-17, 4-5
101861901	17-13	102243402	18-5	102298995	1-3
101862001	13-7	102243403	15-3	102299065	1-37, 1-45, 4-15
101871001	18-3	102274101	13-17	102299360	1-37
101884801	9-7	102278802	1-47	102299601	1-37
101886101	10-13, 13-9	102279105	1-27	102324901	1-57
101887101	18-3	102287101	6-11, 7-11	102353201	6-13, 7-11
101887601	10-13	102287601	6-11	102353301	6-13, 7-11
101895401	16-3	102287701	6-11	102353401	6-13
101895501	16-3	102288101	6-11, 6-13	102356601	16-3
101897001	16-3	102288201	6-13	102356801	16-3
101897201	16-3	102288401	6-13	102357701	6-13, 7-11
101897401	16-3	102288701	6-13	102410604	10-3, 10-13
101897601	16-3	102288801	6-13	102411209	10-17
101898001	8-11	102288901	6-11, 7-11	102476401	10-13, 13-9
101903601	16-3	102289001	6-9, 7-9	102490301	10-3, 10-13
101903701	16-3	102289101	6-13	102491501	12-5, 12-7, 14-9, 14-11
101906901	16-3	102289201	6-13, 7-11	102492301	14-5, 14-17, 14-19
101908401	8-13, 14-7	102289401	6-11, 7-11	102498201	10-13, 13-7, 13-9
101914001	16-5	102289501	6-11, 6-13	102500801	5-11, 5-13, 5-15, 5-17
101920101	15-3	102289601	6-11	102501402	1-27
101922101	16-3	102289701	6-11	102501403	1-27
101922201	16-3	102289801	6-13, 7-11	102501501	1-13
101923001	16-3	102289901	6-11	102502501	1-13
101923201	16-3	102290120	6-3, 6-5, 6-7, 7-3, 7-5, 7-7	102504001	1-25
101923501	16-3	102292101	1-3	102504201	1-25
101923901	16-3	102292201	5-11, 5-13, 5-15, 5-17	102504301	1-25
101928701	16-3, 18-5	102292356	1-15, 1-17, 14-9, 14-11	102504802	1-17
101936101	16-5	102292701	1-17, 1-27	102505401	1-3
101942301	15-3	102292801	5-7, 5-9	102505701	1-3, 6-11
101954301	1-23	102296020	1-13, 4-3, 8-11, 10-3, 10-17	102506401	6-15, 6-17, 6-19, 6-21, 7-13
101960501	3-7	102296040	4-15, 8-11, 13-3	102508202	1-21
101972001	3-9	102296140	1-35	102508401	14-7
101972101	16-3	102296150	1-61, 4-15	102508601	4-9
101972201	16-3	102296301	1-51, 1-53, 10-3	102508901	1-35
101978601	16-5	102296401	1-35	102508902	1-35
101979101	8-17, 13-3	102296530	1-25	102508903	1-35
101998501	1-23	102296601	1-27	102511101	14-7
102022601	6-9, 7-9	102296716	10-13, 14-17, 14-19	102511601	1-35
102025801	10-5	102296720	9-9		
102051901	4-13	102296819	1-15		

INDEX

102511602	1-35	102617801	13-17	103374801	14-9, 14-11
102511603	1-35	102618601	7-11	103375301	14-9, 14-11
102512501	9-9	102621501	1-61, 4-15, 8-9	103375402	14-5, 14-17
102513501	1-37	102670701	6-19, 7-13	103375702	14-5
102515101	4-13	102704701	15-3	103380201	5-3, 5-5
102516901	1-21	102704801	15-3	103380202	5-3, 5-5
102517001	1-25	102704901	15-3	103384601	3-5
102517501	4-5	102732401	9-5	103384701	3-5
102517601	4-7	102771701	16-3	103384801	3-5
102517901	3-7	102774701	14-19	103388501	6-11
102521401	10-17	102803301	8-11	103395505	14-13
102521901	1-17	102838701	8-7	103397901	4-5
102526201	13-3	102838801	8-7	103402701	1-15
102529201	4-5, 4-7	102838901	8-7	103414901	4-5
102534201	1-5, 1-9	102839001	8-7	103470701	10-3
102534801	6-21	102839301	8-7	103477901	7-11
102535401	4-7	102841101	8-7	103483101	5-3, 5-5
102538601	14-5	102865901	14-17	103483102	5-3, 5-5
102540301	9-7	102878201	6-13	103483201	5-3, 5-5
102540701	2-5, 2-7	102883602	1-13, 3-11	103483401	5-3, 5-5
102541401	4-15, 8-9, 17-13	102886301	16-3	103483601	5-3, 5-5
102544201	1-37, 1-45, 4-15	102886401	16-3	103483701	5-3, 5-5
102551901	5-7, 5-9	102886501	16-3	103508101	9-5
102552001	5-7, 5-9	102886601	16-3	103508501	14-11
102554901	14-5	102902801	16-3	103508801	14-11
102555901	3-3	102915601	1-15	103510602	14-13
102556701	2-3, 2-7	102922701	11-3	103528701	5-7
102557201	1-15	102947601	1-51, 1-53	103528702	5-7
102558201	9-3, 10-17	102956201	6-11, 6-13	103535001	5-7, 5-9
102558301	10-17	102958001	14-13	103572501	15-3
102558501	10-17	102967901	1-27, 1-29	103582801	16-3
102558601	10-17	103146501	6-23, 7-15	103597101	4-5
102558701	10-17	103182702	1-29	103635201	1-17
102559401	5-11, 5-13, 5-15, 5-17	103196001	1-37, 1-61, 4-15	103638601	6-13
102559701	5-11, 5-13, 5-15, 5-17	103198401	8-13	103638701	6-13
102562401	18-3	103199301	1-37	103638702	6-13
102565201	6-9, 7-9	103200301	1-37, 1-61, 4-15	103638801	6-13
102566001	6-9, 7-9	103200701	4-9, 4-11	103638901	1-3
102570401	18-7	103205101	1-35	103647402	14-9
102572401	4-9	103205501	3-7, 8-13	103647403	14-9
102581201	1-45	103210101	1-35	103677101	1-51, 1-53
102582401	1-51, 1-53, 1-57	103262201	9-5	103679701	6-9, 7-9
102587201	18-5	103325001	1-9	103699401	1-25
102588501	6-15, 6-17, 6-19, 6-21, 7-13	103327601	1-25	103724503	6-3, 6-5, 7-3, 7-5
102588601	6-11, 7-11	103347601	8-7	103724601	6-3, 7-3
102594301	5-7, 5-9	103347701	8-7	103724602	6-5, 7-5
102594801	5-11, 5-13, 5-15, 5-17	103347801	8-7	103724901	6-3, 7-3
102594901	5-11, 5-13, 5-15, 5-17	103348201	4-13	103742207	7-13
102595201	5-11, 5-13, 5-15, 5-17	103348602	4-13	103742304	6-17, 6-19, 7-13
102595301	5-11, 5-13, 5-15, 5-17	103350801	14-9, 14-11	103742305	6-15
102595401	5-11, 5-13, 5-15, 5-17	103357701	14-9, 14-11	103742306	6-21
102595502	5-11, 8-3	103367901	14-17, 14-19	103742307	7-13
102595901	5-11, 5-13, 5-15, 5-17	103368301	14-9, 14-11	103750001	1-37, 1-45, 4-15
102596001	5-11, 5-13, 5-15, 5-17	103368401	14-9, 14-11	103750101	1-37, 1-45
102596301	5-13, 5-15, 5-17	103372101	10-3	103754901	1-51, 1-53
102617201	9-5	103372401	10-7	103756401	10-7

INDEX

103765601	14-9, 14-11	103982001	10-13	105026801	13-11
103774701	14-13	103982002	10-13	105026901	13-11
103777601	5-11, 5-13, 5-15, 5-17, 8-3	103982301	14-17, 14-19	105027001	13-11
103783001	6-3, 7-3	103984601	12-5, 12-7	105027101	13-11
103783002	6-3, 7-3	103989501	13-17	105027201	13-11
103783003	6-3, 7-3	103989901	13-19	105027301	13-11
103793001	14-9, 14-11	103990503	1-3	105027401	13-13
103796701	6-3, 7-3	103990601	1-3	105027501	13-13
103810201	6-7, 7-7	103991501	4-9	105027601	13-13
103812901	1-27	103995001	13-17	105027701	13-13
103813001	1-27	104005901	14-15	105027801	13-13
103826201	6-9, 7-9	104006101	14-15	105027901	13-13
103826301	6-9, 7-9	104008001	1-35	105028001	13-13
103829401	6-5, 7-5	104008002	1-35	105028101	13-15
103832401	2-5, 2-7	104008003	1-35	105028201	13-13
103832901	1-23	104008501	1-37	105028301	13-11
103833601	1-23	104021701	13-17	105028401	13-13
103833701	1-23	104023201	14-5	105028501	13-11
103833801	1-23	104023421	1-23	105028601	13-13
103833901	1-23	104023422	1-23	105028701	13-13
103853121	1-25	104023425	1-23	105028801	13-13
103853122	1-25	104023501	10-13, 13-9	105028901	13-13
103853125	1-25	104024001	14-5, 14-17	105029001	13-13
103872701	17-13	104024501	17-3, 17-5, 17-7, 17-9, 17-13	105029101	13-13
103874111	5-17	104024601	17-3, 17-5, 17-7, 17-9, 17-13	105029201	13-13
103879701	13-11	104025101	12-9	105029301	13-15
103886601	13-5	104027101	13-17	105029401	13-15
103896607	10-7	104028901	17-3, 17-5, 17-7, 17-9	105029501	13-15
103921601	6-15, 6-17	104029001	17-3, 17-5, 17-7, 17-9	105029601	13-15
103921602	6-15, 6-17	104029301	17-13	105029701	13-15
103923601	1-9	104029601	17-3, 17-5	105029801	13-15
103924801	8-5, 14-5	104029602	17-7	105029901	13-15
103926603	1-3	104029603	17-9	105030001	13-11
103929301	1-25	105003601	17-3, 17-5, 17-7, 17-9	105030301	13-15
103929302	1-25	105003701	17-3, 17-5, 17-7, 17-9	105030401	13-15
103934901	2-5, 2-7	105005001	14-17, 14-19	105030501	13-15
103935001	2-7	105005402	1-19	105030601	13-15
103935601	6-13	105009001	10-17	105030701	13-11
103943401	5-17, 14-3	105025001	13-11	105030801	13-15
103951501	13-17	105025101	13-11	105030901	13-13
103952901	1-25	105025201	13-11	105031001	13-15
103964901	6-15, 6-17, 6-21	105025301	13-11	105037101	4-13
103965001	6-15, 6-17, 6-21	105025401	13-11	105037501	13-3
103973901	12-7	105025501	13-11	105037601	13-3
103973902	12-5	105025601	13-11	105037701	13-3
103974102	12-3	105025701	13-11	105038501	13-3
103974201	12-5, 12-7	105025801	13-11	105038801	13-5
103974401	12-5, 12-7	105025901	13-11	105039801	13-3
103974815	5-11	105026001	13-11	105040401	13-3
103974821	5-13, 5-15	105026101	13-11	105040901	13-7
103974901	5-11, 5-13, 5-15, 5-17	105026201	13-11	105041101	13-3
103975011	5-17	105026301	13-11	105043801	10-5
103975301	12-9	105026401	13-11	105043901	10-5
103976101	12-5, 12-7	105026501	13-11	105049001	6-7, 7-7
103978801	1-25	105026601	13-11	105065403	14-11
103979301	13-17	105026701	13-11	105065601	14-5, 14-19

INDEX

105065701	14-5, 14-19	105223422	1-25	47562748001	4-15
105066001	13-15	105223423	1-25	47562947002	2-9
105066101	13-15	105223425	1-25	47562947004	2-9
105067501	3-7	105223427	1-25	47562948004	2-9
105068201	17-11	105223428	1-25	47562949001	2-5, 2-7, 2-9
105068202	17-11	105223429	1-25	47562951001	2-5, 2-7, 2-9
105068601	6-7, 7-7	105234801	13-11, 13-13	47563300001	1-47
105070101	17-3, 17-5, 17-11	105234901	13-11, 13-13	47563300002	1-47
105070102	17-7, 17-11	105237399	8-11	47563301001	1-47
105070103	17-9, 17-11	105245801	12-3	47563302001	1-47
105070501	3-3	105267301	3-9	47563303001	1-47
105074101	13-3	105267401	3-9	47563304001	1-47
105081501	8-5	105267501	3-9	47563305001	1-47
105081601	8-5	105288901	1-63	47563306001	1-49
105083001	17-13	105289701	1-51, 1-53	47563307001	1-49
105084301	14-17, 14-19	105291501	1-17	47564782001	1-47
105084401	17-13	105299001	17-13	47564783001	1-47
105086801	17-13	105299101	17-13	47564784001	1-47
105092301	17-3, 17-5, 17-7, 17-9, 17-13	105299601	17-13	47564785001	1-47
105093101	17-3, 17-5, 17-7, 17-9	105300801	17-13	47564786001	1-47
105094101	17-13	105313801	1-63	47564787001	1-47
105095201	17-3	105314001	1-17	47564787002	1-47
105096101	12-5, 12-7	105314101	1-17	47564886021	1-49
105102601	8-17	105315201	17-13	47564886022	1-49
105114802	8-5	47539338002	8-9	47564886024	1-49
105114803	8-5	47542195001	5-3, 5-5	47564886025	1-49
105114805	8-5	47554725001	1-31	47564887021	1-49
105114806	8-5	47554736001	4-15	47564887022	1-49
105114808	8-5	47555159001	1-31	47564887024	1-49
105116301	5-17, 14-3	47555159002	1-31	47564887025	1-49
105123801	17-3, 17-5, 17-7, 17-9, 17-13	47559264001	1-61	47564888021	1-49
105130201	8-5	47559264002	1-61	47564888022	1-49
105135101	10-13, 13-7	47559265002	1-61, 4-15	47564888023	1-49
105137401	14-5, 14-17, 14-19	47559268001	4-15	47564888025	1-49
105143301	10-3	47559475001	8-7	47564888027	1-49
105144401	10-13, 13-9	47559475002	8-7	47564888028	1-49
105152301	4-9	47560030001	14-21	47564889021	1-49
105161701	8-7	47560464001	10-7	47564889022	1-49
105166801	14-15	47560765001	10-17	47564889023	1-49
105166901	14-15	47561033001	3-3	47564889025	1-49
105167001	14-15	47561477002	4-15	47564889027	1-49
105167101	14-15	47561633001	2-3	47564889028	1-49
105168501	14-15	47561635001	2-3	47564890001	9-7
105168601	14-15	47561636001	2-3	47565234003	4-3
105187901	6-13	47561638001	2-5	47565234004	4-3
105188185	6-15, 6-17, 6-19, 6-21, 7-13	47561640001	2-5	47566405001	7-11
105188701	6-19, 7-13	47561641001	2-5	47566411001	7-11
105190701	4-15	47561643001	2-5	47568672001	1-47
105223321	1-23	47561644004	2-9	47568673001	1-47
105223322	1-23	47561645004	2-9	47568674001	1-47
105223323	1-23	47561646004	2-7	47568674002	1-47
105223325	1-23	47561647004	2-7	47568675001	1-47
105223327	1-23	47562652001	5-9	47568676001	1-47
105223328	1-23	47562746001	4-5	47568677001	1-47
105223329	1-23	47562747001	4-5	47570463001	1-59
105223421	1-25	47562747002	8-5	47570464001	1-39

INDEX

47570464002	1-41	47582091001	5-9	47606837002	17-3, 17-11
47570464003	1-43	47582268001	1-59	47610134002	10-3
47574837001	4-5	47582270001	1-55	47610135001	10-3
47574958001	3-3	47582821001	1-39, 1-41, 1-43	47610136001	10-17
47575464001	1-33	47582821002	1-39, 1-41, 1-43	47611209001	11-3
47576196001	6-19, 7-13	47582822001	1-61	47611210001	11-3
47576197001	7-13	47583000001	8-7	47611483001	9-5
47576198001	7-13	47583112001	1-39, 1-41, 1-43	47611484001	9-5
47576648001	7-13	47583296001	1-13	47611648001	9-5
47576649001	6-23, 7-15	47583296002	1-13	47611868001	8-9
47576650001	6-23, 7-15	47583297001	1-27	47611869001	8-9
47576651001	6-23, 7-15	47583297002	1-27	47611870001	8-9
47576652001	6-23, 7-15	47583665001	6-19	47611876001	10-3
47576652002	6-23, 7-15	47583666001	6-19	47611877001	10-3
47576796001	1-51, 1-53	47583790001	8-7	47612314001	17-11
47576797001	1-51	47583791001	8-7	47612314002	17-11
47576798001	1-51	47583794001	8-7	47612315002	17-11
47577554001	1-57	47583795001	9-7	47612316001	17-11
47577555001	1-57	47583912001	6-19	47612316002	17-11
47577556001	1-57	47584178001	8-7	47612317002	17-11
47577557001	1-57	47584179001	8-7	47612318002	17-11
47577558001	1-57	47584184001	9-7	47612352001	10-11
47577561001	1-5	47584406001	4-15	47612535001	8-5
47577561002	1-5	47586040001	3-3	47612537001	4-13, 8-5
47577864001	6-23, 7-15	47586191001	3-5, 3-7	47613414002	4-13
47577865001	6-23, 7-15	47587701001	9-7	47613414003	4-9
47578016001	1-5	47587715001	8-15	47613414005	4-13
47578327001	1-47	47589609001	4-15	47613414006	4-13
47578437001	1-33	47589919302	1-27	47613414007	4-13
47578438001	1-5	47589919303	1-27	47613414009	4-9
47579059001	1-29	47589919304	1-27	47615815001	10-17
47579060001	1-29	47589919306	1-27	47617158001	10-11
47579061001	1-29	47589919308	1-27	47617345001	8-9
47579062001	1-29	47589919310	1-27	47622330001	10-5
47579065001	1-29	47589919311	1-27	47622750001	10-3
47579066001	1-29	47589919312	1-27	47622750002	10-3
47579068001	1-29	47592393001	3-3	47623281001	8-11
47579096001	6-15, 6-17, 6-19, 6-21, 7-13	47592811001	1-47	47623339001	10-5
47579669001	1-9	47592812003	1-45	47627633002	1-13
47579759001	1-53	47594727001	4-17	47627633003	1-13
47579760001	1-53	47594888001	3-11	47627633004	1-13
47579985001	1-55	47598099001	9-5	47627633005	1-13
47580172001	4-5	47598441001	4-13	47627633006	1-13
47581051001	1-47	47600218001	12-9	47627633009	1-13
47581126001	4-15	47601355001	10-13	47627633053	1-13
47581127001	4-15	47601767001	12-9	47627633058	1-13
47581128001	4-15	47601767002	12-9	47627633099	1-13
47581129001	4-15	47601832001	12-9	47628936001	1-11
47581130001	4-15	47602210001	10-3	47628936002	1-11
47581131001	1-61, 4-15	47602210002	10-3	47629583001	9-21
47581132001	1-61, 4-15	47603899001	7-13	47629585001	9-21
47581133001	4-15	47603900001	7-13	47629588001	9-21
47581133002	4-15	47604229001	8-15	47629589001	9-21
47581134001	4-15	47604230001	14-21	47629677001	9-17
47581135001	4-15	47604303001	4-19	47629680001	9-17
47581430001	4-15	47606837001	17-11	47629682001	9-17

INDEX

- 47629685001 9-17
 - 47629686001 9-17
 - 47629687001 9-17
 - 47629688001 9-17
 - 47629689001 9-17
 - 47629690001 9-17
 - 47629691001 9-17
 - 47629693001 9-17
 - 47629694001 9-17
 - 47629696001 9-17
 - 47629697001 9-17
 - 47629698001 9-17
 - 47629699001 9-19
 - 47629700001 9-19
 - 47629701001 9-19
 - 47629702001 9-13, 9-19
 - 47629703001 9-19
 - 47629705001 9-19
 - 47629707001 9-19
 - 47629709001 9-19
 - 47629711001 9-15
 - 47629714001 9-15
 - 47629716001 9-15
 - 47629717001 9-15
 - 47629718001 9-15
 - 47629719001 9-15
 - 47629720001 9-15
 - 47629722001 9-15
 - 47629723001 9-15
 - 47629724001 9-15
 - 47629725001 9-15
 - 47629726001 9-15
 - 47629727001 9-15
 - 47629728001 9-15
 - 47629729001 9-15
 - 47629730001 9-15
 - 47629768001 9-15
 - 47629822001 9-15
 - 47629823001 9-15
 - 47629824001 9-15
 - 47629825001 9-15
 - 47629826001 9-13
 - 47629828001 9-13
 - 47629831001 9-13
 - 47629832001 9-13
 - 47629833001 9-13
 - 47629834001 9-13
 - 47629835001 9-13
 - 47629836001 9-13
 - 47629837001 9-13
 - 47629838001 9-13
 - 47629839001 9-13
 - 47629841001 9-13
 - 47629843001 9-13
 - 47629844001 9-11
 - 47629845001 9-11
 - 47629846001 9-11
 - 47629847001 9-11
 - 47629848001 9-11
 - 47629851001 9-11
 - 47629853001 9-11
 - 47629855001 9-11
 - 47629856001 9-11
 - 47629857001 10-9
 - 47629858001 10-9
 - 47629859001 10-9
 - 47629860001 10-9
 - 47629861001 10-9
 - 47629862001 10-9
 - 47629864001 10-9
 - 47629865001 10-9
 - 47629866001 10-9
 - 47629867001 10-9
 - 47629868001 10-9
 - 47629869001 10-9
 - 47629870001 10-9
 - 47629871001 10-9
 - 47629872001 10-9
 - 47629874001 10-9
 - 47629875001 10-11
 - 47629876001 10-11
 - 47629877001 10-11
 - 47629878001 10-11
 - 47629879001 10-15
 - 47629880001 10-15
 - 47629881001 10-15
 - 47629882001 10-15
 - 47631793001 1-37, 1-45
 - 47631793002 1-37, 1-45, 4-15
 - 47632116001 1-11
 - 47636151001 1-5
 - 47640021001 9-13
 - 47640281001 9-3, 9-13
 - 47643352001 4-21
 - 47643352002 4-21
 - 47643624002 10-3
 - 47645493001 8-13
 - 47649254001 1-7
 - 47649808001 11-3
 - 47649808002 11-3
 - 47650647001 9-13
 - 47652014001 1-17
 - 47659500001 1-7
 - 96704176 4-17
 - 96705199 10-3
 - 96705587 11-3
 - 96741046 9-5
- A**
- A-arm, lower 7-11
 - A-arm, three-piece 6-11
 - A-arm, upper 7-11
- absorber, front shock 6-11, 7-11
 - absorber, rear shock 6-15, 6-17, 6-19, 6-21, 7-13
 - AC cord 17-11
 - accelerator cable 10-13
 - accelerator pedal 5-11, 5-13, 5-15, 5-17, 8-3
 - accelerator pedal adjustment tool 18-3
 - access panel 1-27
 - adhesive, guide ring 18-3
 - air cleaner assembly 10-17
 - air filter 9-3, 10-17
 - air filter canister evacuation valve 10-17
 - air intake cover 10-17
 - air intake hose 10-17
 - AM1285701 18-5
 - arbor 18-3
 - arm
 - governor 10-13, 13-9
 - armature 15-3
 - armrest 1-23
 - assembly
 - brake lever 5-3, 5-5
 - drive hub 12-5, 12-7
 - frame and field (motor) 15-3
 - fuel cap 10-3
 - moveable-face 12-5, 12-7, 12-9
 - secondary clutch weight 12-5, 12-7
 - axle 16-3
 - axle guard 16-5
 - axle shaft 13-15
 - axle shaft oil seal 16-3
 - axle tube 13-15, 16-3
- B**
- backing plate, brake 5-3, 5-5
 - backrest 1-49
 - backrest, beige 1-25
 - backrest, black 1-25
 - backrest, white 1-25
 - bag hoop 1-25
 - bag strap 1-25
 - bag strap buckle 1-25
 - ball bearing 8-7, 13-13, 13-15
 - ball joint, inner 6-9, 7-9
 - ball, bearing 7-11
 - barrel, plastic 1-11, 1-13, 1-25, 1-31, 5-11, 5-13, 5-15, 5-17, 8-13
 - basket 1-61
 - battery
 - 8-volt, GC8 14-9, 14-11
 - battery bucket 14-9, 14-11
 - battery charger 17-3, 17-5, 17-7, 17-9, 17-13
 - battery charger wire harness
 - onboard 14-17, 14-19
 - battery clamp 8-11
 - battery condition indicator, 48-volt 4-9, 4-11

INDEX

- battery cross rod tube 14-9, 14-11
 - battery discharge machine 18-3
 - battery hold-down 14-9, 14-11
 - battery terminal protector spray 18-3
 - battery thermometer 18-3
 - battery, 12-volt, top-post 8-11
 - bearing 16-3
 - ball 7-11, 8-7, 13-13, 13-15
 - ball (motor) 15-3
 - inner axle tube 16-3
 - thrust 13-11
 - bearing and oil seal remover 18-3
 - bearing driver set 18-3
 - bearing puller 18-3
 - bearing puller wedge 18-3
 - bellows, steering 6-9, 7-9
 - belt, drive 12-3
 - body
 - under 1-17
 - body kick plate 1-19
 - body kick plate (ele) 1-21
 - bolt
 - battery, "S" hold-down 14-9, 14-11
 - boot, switch 8-13, 14-7
 - bottom, seat 1-49
 - Bracket 8-13
 - bracket
 - accel.cable 10-13, 13-7
 - canopy support 1-37
 - clamshell 1-17
 - equalizer 5-7, 5-9
 - FNR cable 10-13, 13-7
 - governor 10-13, 13-9
 - jounce bumper 6-21, 7-13
 - shock mounting, drv 6-15, 6-17, 6-21
 - shock mounting, pas 6-15, 6-17, 6-21
 - snubber 9-7
 - Bracket, Fuel 10-3
 - Bracket, Seat Back, Front, Top, CSMR 1-47
 - brake adjusting mechanism 5-3, 5-5
 - brake backing plate 5-3, 5-5
 - brake cable 5-7, 5-9
 - brake cluster 5-3, 5-5
 - brake drum 5-3, 5-5
 - brake lever 5-3, 5-5
 - brake pedal 5-11, 5-13, 5-15, 5-17
 - brake rod 5-11, 5-13, 5-15, 5-17
 - brake self-adjusting mechanism 5-3, 5-5
 - brake shoe 5-3, 5-5
 - brake spring 5-3, 5-5
 - breather 13-11, 16-3
 - brow 1-13
 - brow cap 1-13
 - brush 15-3
 - brush box assembly 15-3
 - brush rigging 15-3
 - brush spring 15-3
 - bucket, battery 14-9, 14-11
 - buckle, bag strap 1-25
 - bumper
 - drive unit (motor) 15-3
 - jounce 6-19, 6-21, 7-13
 - rubber 1-29
 - Bumper, Shock Plug 1-9
 - bushing 6-11, 6-13, 6-23, 7-15, 12-5, 12-7, 13-3
 - urethane 6-15, 6-17, 6-19, 6-21, 7-13
 - button, drive 12-9
 - buzzer, reverse 4-9, 4-13
- ## C
- cable
 - accelerator 10-13
 - brake 5-7, 5-9
 - FNR shifter 13-5
 - calibration test module 18-3
 - cam
 - driven clutch 12-9
 - cam, neutral lockout 13-3
 - canister, carbon, fuel tank 10-7
 - canopy 1-35, 1-39, 1-43
 - canopy drain cover 1-35
 - canopy handle 1-35
 - canopy strut, front, lh 1-37, 1-45
 - canopy strut, front, rh 1-37, 1-45, 4-15
 - canopy support 1-37
 - canopy support bracket, drv 1-25
 - canopy support bracket, pas 1-25
 - cap
 - center 2-5, 2-7, 2-9
 - dust 4-9
 - front hub 6-13, 7-11
 - fuel, gas, ratchet 10-3
 - key switch 4-9, 4-13
 - rubber 13-17
 - carbon canister 10-7
 - card, safety first 18-5
 - case
 - gear 16-3
 - transaxle 13-11
 - center cap 2-5, 2-7, 2-9
 - center shaft 13-13
 - charger bezel tool 18-3
 - charger receptacle 14-5, 14-17, 14-19
 - charger, battery, Hi-Freq 17-3, 17-5, 17-7, 17-9, 17-13
 - clamp
 - battery 8-11
 - hose 10-7, 10-17
 - leaf spring 6-13, 7-11
 - p- (fuel filter) 10-3, 10-13
 - clamshell bracket 1-17
 - clip 4-5
 - body trim 1-17, 1-27
 - meter 4-13
 - clip, score card 6-3, 7-3
 - cluster, brake 5-3, 5-5
 - clutch
 - pin 13-13
 - clutch cam installation tool 18-3
 - clutch repair kit 12-9
 - clutch tool kit 18-3
 - clutch weight 12-5, 12-7
 - clutch, drive 12-5, 12-7
 - collar 13-13
 - comfort grip steering wheel 6-3, 7-3
 - comfort grip steering wheel kit 6-3, 7-3
 - component mounting plate 14-17, 14-19
 - compression gauge 18-5
 - compressor, piston ring 18-5
 - compressor, valve spring 18-7
 - continuity tester 18-5
 - controller shield 14-17, 14-19
 - controller, motor speed
 - Excel w/Hi-Freq 14-17, 14-19
 - cord reel 17-13
 - cord set, DC 17-3, 17-5, 17-7, 17-9, 17-11
 - cord, AC 17-11
 - cord, DC 17-13
 - counter shaft 13-13
 - cover
 - air intake 10-17
 - canopy drain 1-35
 - DC terminal block 17-3, 17-5, 17-7, 17-9, 17-13
 - dust 5-3, 5-5
 - USB 17-3, 17-5, 17-7, 17-9, 17-13
 - cover plate 15-3
 - Cover, Canopy Support 1-37, 1-45, 4-15
 - cover, steering column 4-5, 4-7
 - cushion, shock absorber 6-15, 6-17, 6-19, 6-21, 7-13
- ## D
- dash 1-15
 - dash support assembly 1-3, 6-11
 - DC cord 17-13
 - DC cord set 17-3, 17-5, 17-7, 17-9, 17-11
 - decal 3-3
 - box bed warning 3-9
 - crush area warning 3-9
 - filter log 14-15
 - frame ground warning 3-7
 - inspect log 14-15
 - maintenance/operate switch 3-7, 8-13
 - on/off 3-3
 - operating instructions 6-3, 7-3
 - private speed mode 3-3
 - rotating parts 3-7

INDEX

Run/Tow warning 3-5
trailer hitch 1-33, 3-9
warning 3-5
warning, Run/Tow 3-5
water exposure 3-5
deionizer 14-15
 cartridge 14-15
differential 13-15
 open 13-15
differential drive unit 16-3
differential gear 16-3
differential gear set 13-15
differential guard 16-5
differential housing 16-3
differential shaft 13-15
drain plug 13-11
drive belt 12-3
drive button 12-9
drive clutch 12-5, 12-7
drive clutch button 12-5, 12-7
drive clutch holder tool 18-3
drive clutch hub puller 18-3
drive clutch puller 18-3
drive clutch spring 12-5, 12-7
drive clutch weight 12-5, 12-7
drive hub 12-5, 12-7
drive unit bumper 15-3
drive unit guard 16-5
driven clutch button 12-9
driven clutch cam 12-9
driven clutch cam puller 18-3
driven clutch puller plug 18-3
driver, drive clutch 12-5, 12-7
drum, brake 5-3, 5-5
dry moly lubricant 18-5
dual snubber 9-7
dust cap 4-9
dust cover 5-3, 5-5
dust seal 6-9, 7-9

E

end cap, motor 15-3
end, tie rod 6-9, 7-9
engine
 air cleaner 10-17
 air filter 9-3, 10-17
 air intake hose 10-17
equalizer 5-7, 5-9
Exhaust 11-3

F

face, moveable 12-9
Fender 1-11
fender
 rear 1-31

Fender, Front 1-11
filter
 air 9-3, 10-17
floor cover plate 5-11, 5-13, 5-15, 5-17
floor mat 1-17
FNR handle 13-3
FNR housing 14-7
FNR shift lever 13-7
FNR shifter base 13-3
FNR shifter cable 13-5
fold down seat 1-47
frame and field assembly (motor) 15-3
front hub 6-13
front suspension structure 6-11, 7-11
Fuel Module, Hold-Down Ring 10-5
fuse
 10-amp 8-5
 15-amp 14-5
 2-amp 8-5, 14-5
 30-amp 14-5, 14-17, 14-19
 5-amp 8-5
fuse, mini, 7.5A 8-5
fuse, mini, 10A 8-5

G

gas pedal assembly, anodized 5-13, 5-15
gas pedal assembly, anodized triac 5-11
gasket 13-11
 air intake 10-17
 liquid 16-3, 18-5
 plug 16-3
 seat 1-23
gauge, compression 18-5
gear
 17 tooth 13-13
 34 tooth 13-13
 52 tooth 13-13
 60 tooth 13-15
 62 tooth 13-13
 differential 16-3
 differential idler 16-3
 differential output 16-3
 governor 13-11
 governor, 34 tooth 13-13
 set, differential 13-15
gear yoke 18-5
gearcase 16-3
governor arm 10-13, 13-9
governor gear shaft 13-11
governor shaft 13-11
grip, pencil 6-3, 7-3
guard, differential 16-5
guide pin 13-11
guide ring adhesive 18-3

H

handle, canopy 1-35
handle, FNR 13-3
harness
 instrument panel lighting 4-5
 Visage strut 4-15
harness, instrument panel 4-9
harness, wire 4-7, 14-5
harness, wire, onboard battery charger 14-17, 14-19
headlight 4-3
hinge 14-9, 14-11
 seat bottom 1-23
hinge, seat bottom 1-23
hip restraint 1-23
hold-down, battery 14-9, 14-11
hoop, bag 1-25
horn 4-7
hose
 air intake 10-17
 SPWS 14-13
 vent 10-7
Hose, Intake 10-17
housing
 3-pin 15-3
 differential 16-3
hub 6-13, 7-11, 13-17
hub cap 6-13, 7-11
hub, front 6-13
hydrometer 18-5

I

idler gear, differential 16-3
indicator, charger 4-9
inner ball joint 6-9, 7-9
inner frame snubber 9-7
input shaft 13-13, 16-3
instrument panel harness 4-9
Insulation 1-17
intake cover 10-17
intermediate shaft 16-3
internal retaining ring pliers 18-5
isolator, shock damper 6-15, 6-17, 6-19, 6-21, 7-13

J

J-clip 1-3, 6-15, 6-17, 6-21
jounce bumper 6-19, 6-21, 7-13
jounce bumper bracket 6-21, 7-13

K

key
 driven clutch 12-9
 On/Off 4-9, 4-13
 square 12-9

INDEX

key switch 4-9, 4-13
key switch cap 4-9, 4-13
kick plate 1-19
kick plate (ele) 1-21
king pin 6-13
Kit 1-5
kit
 3-pin housing 15-3
 ball joint, inner 6-9, 7-9
 bellows, steering, sona 6-9, 7-9
 brake cable 5-7
 brake shoe retainer 5-3, 5-5
 canopy hardware 1-39, 1-41, 1-43
 clutch repair 12-9
 comfort grip steering wheel 6-3, 7-3
 drive clutch button 12-5, 12-7
 drive clutch weight 12-5, 12-7
 driven clutch button 12-9
 fenders, rear 1-31
 front hub replacement 6-13, 7-11
 hand pump, SPWS 14-15
 motor brush 15-3
 motor brush spring 15-3
 motor cover plate 15-3
 motor speed sensor 15-3
 motor terminal hardware 15-3
 relay, 48V 4-5
 SAM assembly 1-25
 seat bottom 1-23
 shock absorber 6-15, 6-17, 6-21
 shock absorber cushion 6-15, 6-17, 6-21
 shoe retainer 5-3, 5-5
Kit, Fenders 1-11
Kit, Grill 1-7
knob, light switch 4-13

L

leaf spring, rear 6-15, 6-17, 6-19, 6-21, 7-13
lever
 transaxle shift 13-7
light
 oil 4-13
 water quality 14-15
light switch 4-13
light switch knob 4-13
limit switch 8-17, 13-3
liquid gasket 16-3, 18-5
low oil warning light 4-13
lower A-arm 7-11
lubricant, dry moly 18-5
lubricant, moly-teflon 15-3, 18-5
lug nut 2-5, 2-7, 2-9
lug stud 6-13, 13-17, 16-3

M

magnet, speed sensor 15-3
mat, floor 1-17
MCOR 5-17, 14-3
mechanism, brake adjusting 5-3, 5-5
meter clip 4-13
meter, volt ohm 18-7
mirror 1-63
module
 calibration test 18-3
moly-teflon lubricant 18-5
motor
 48-volt IQ 15-3
motor brush kit 15-3
motor brush spring kit 15-3
motor bumper 15-3
motor end cap 15-3
motor magnet, speed sensor 15-3
motor speed controller
 Excel w/Hi-Freq 14-17, 14-19
motor speed sensor 15-3
motor speed sensor kit 15-3
motor terminal hardware kit 15-3
motor wire harness 14-5
mounting plate, component 14-17, 14-19
moveable-face 12-5, 12-7, 12-9

N

neutral lockout cam 13-3
nut
 push 1-29
nut, lug 2-5, 2-7

O

oil seal 13-11
oil warning light, low 4-13
O-Ring, Fuel Module 10-5

P

paint, underbody (black) 18-5
panel
 access 1-27
 SAM 1-25
panhard 6-23, 7-15
park brake release, anod 5-11, 5-13, 5-15, 5-17, 8-3
p-clamp (fuel filter) 10-3, 10-13
pedal assembly, gas, anodized 5-13, 5-15
pedal assembly, gas, anodized triac 5-11
pedal, accelerator 5-11, 5-13, 5-15, 5-17, 8-3
pedal, brake 5-11, 5-13, 5-15, 5-17
pencil grip 6-3, 7-3
pin
 bow tie locking 5-7, 5-9
 clevis 5-7, 5-9

differential 13-15
guide 13-11
input shaft 13-13
king 6-13
piston ring compressor 18-5
piston ring pliers 18-5
plate
 backing (brake) 5-3, 5-5
 component mounting 14-17, 14-19
 cover 15-3
 floor cover 5-11, 5-13, 5-15, 5-17
 kick 1-19
 kick(ele) 1-21
pliers
 internal retaining ring 18-5
 piston ring 18-5
 retaining ring 18-5
plug
 drain 13-11
 driven clutch puller 18-3
protector spray, battery terminal 18-3
puller
 bearing 18-3
 drive clutch 18-3
 drive clutch hub 18-3
 driven clutch cam 18-3
 seal 18-5
push nut 1-29

R

rack and pinion 6-9, 7-9
rear fenders 1-31
rear underbody support 1-25
receptacle 14-5, 14-17, 14-19
reel cord 17-13
reflector 1-13, 1-27, 1-47
refractometer 18-5
regulator, voltage 8-11
relay 4-5
relay, 12-volt 4-13
relay, 48V 4-5
release, anod park brake 5-11, 5-13, 5-15, 5-17, 8-3
remover, bearing and oil seal 18-3
resistor assembly 14-17, 14-19
retainer
 brake shoe 5-3, 5-5
 shock absorber cushion 6-15, 6-17, 6-19, 6-21, 7-13
retaining ring pliers 18-5
reverse buzzer 4-9, 4-13
rim (wheel) 2-7
ring
 retaining 12-5, 12-7, 12-9, 13-3, 13-11, 13-17
 spiral backup 12-5, 12-7

INDEX

Rivet, Removable 1-27, 1-29

rock guard 16-5

rocker switch 14-7

rod

brake 5-11, 5-13, 5-15, 5-17

rubber bumper 1-29

S

safety first card 18-5

SAM (structural accessory module) 1-25

SAM assembly kit 1-25

SAM panel 1-25

score card clip 6-3, 7-3

score card plate 6-3, 7-3

seal

dust 6-9, 7-9

lip 16-3

oil 13-11, 16-3

seal puller 18-5

seal, bulb 1-51, 1-53

sealant 16-3

seat back 1-49

seat back, beige 1-25

seat back, black 1-25

seat back, white 1-25

seat bottom 1-49

seat bottom kit 1-23

seat gasket 1-23

seat hinge 1-23

select shaft 13-11

sensor, motor speed 15-3

Sensor, Temperature 9-13

shaft

axle 13-15

center 13-13

counter 13-13

differential 13-15

governor 13-11

governor gear 13-11

input 13-13, 16-3

intermediate 16-3

select 13-11

shift 13-13

shield, controller 14-17, 14-19

shield, debris aux 5-11, 5-13, 5-15, 5-17

shield, debris primary 5-11, 5-13, 5-15, 5-17

shift lever 13-7

shift shaft 13-13

shock absorber (front) 6-11, 7-11

shock absorber (rear) 6-15, 6-17, 6-19, 6-21, 7-13

shock absorber cushion 6-15, 6-17, 6-19, 6-21, 7-13

shock absorber cushion retainer 6-15, 6-17, 6-19, 6-21, 7-13

shock damper isolator 6-15, 6-17, 6-19, 6-21,

7-13

shock mounting bracket, drv 6-15, 6-17, 6-21

shock mounting bracket, pas 6-15, 6-17, 6-21

shoe retainer kit 5-3, 5-5

shoe, brake 5-3, 5-5

sleeve 6-11, 6-13, 6-15, 6-17, 6-19, 6-21, 6-23, 7-13, 7-15, 13-11

snubber bracket 9-7

snubber housing 9-9

snubber, dual 9-7

snubber, inner frame 9-7

solenoid 14-19

solenoid, 12-volt 8-11

spacer 13-11, 13-13

speed controller

Excel w/Hi-Freq 14-17, 14-19

speed sensor 15-3

speed sensor magnet 15-3

speed sensor, motor 15-3

spindle 6-13, 7-11

spiral backup ring 12-5, 12-7

spray, battery terminal protector 18-3

spring 13-11

brake 5-3, 5-5

brush 15-3

compression 6-3, 7-3

drive button 12-5, 12-7

drive clutch 12-5, 12-7

forward/reverse cam 13-3

spring, leaf, rear 6-15, 6-17, 6-19, 7-13

spring, leaf, rear, 4-pass 6-21

SPWS hose 14-13

steering column bearing press tool 18-7

steering column cover 4-5, 4-7

steering column retaining ring tool 18-7

steering wheel 6-3, 6-5, 7-3, 7-5

steering wheel (comfort grip) kit 6-3, 7-3

steering wheel puller tool 18-7

strap, bag 1-25

strut, front canopy, lh 1-37, 1-45

strut, front canopy, rh 1-37, 1-45, 4-15

stud

lug 6-13, 13-17, 16-3

support, canopy 1-37

support, underbody, rear 1-25

suspension, front structure 6-11, 7-11

switch

key 4-9, 4-13

light 4-13

limit 8-17, 13-3

rocker 14-7

Tow/Run 14-7

turn signal 4-5

switch rubber boot 8-13, 14-7

switch, toggle 8-13

T

12-volt solenoid 8-11

Taillight 4-21

tester, continuity 18-5

thermometer, battery 18-3

three-piece A-arm 6-11

throttle, gas, Gen2, triac, sensor 5-11, 8-3

throttle, Gen2, no sensor 5-13, 5-15, 5-17

tie rod end 6-9, 7-9

tie rod extension 7-11

tie wrap 6-9, 7-9, 13-5, 17-13

tire 2-9

tire, pro tour, 205-50 x 10 2-3, 2-7

toggle switch 8-13

tool

accelerator pedal adjustment 18-3

belt tensioning, starter/generator 18-7

charger bezel 18-3

clutch cam installation 18-3

drive clutch holder 18-3

steering column bearing press 18-7

steering column retaining ring 18-7

steering wheel puller 18-7

transaxle axle seal 18-7

transaxle pinion seal 18-7

transmission 18-7

tool kit, clutch 18-3

touch-up paint 18-5

Tow/Run switch 14-7

transaxle (Electric Vehicle) 16-3

transaxle axle seal tool 18-7

transaxle guard 16-5

transaxle pinion seal tool 18-7

transaxle, open-diff (Gas Vehicle) 13-11

transmission tool 18-7

trunk 1-29

tube

axle 13-15, 16-3

battery cross rod 14-9, 14-11

Tuflok 1-27, 1-29

turn signal switch 4-5

U

U-bolt 6-15, 6-17, 6-19, 6-21, 7-13

underbody 1-17

underbody support, rear 1-25

upper A-arm 7-11

urethane bushing 6-15, 6-17, 6-19, 6-21, 7-13

USB

cover 17-3, 17-5, 17-7, 17-9, 17-13

port 14-21

USB cover 17-3, 17-5, 17-7, 17-9, 17-13

USB port 14-21

INDEX

V

valance 1-29
valve spring compressor 18-7
vent
 transaxle 13-11
vent, barb 10-7
volt ohm meter 18-7
voltage regulator 8-11

W

warning light, low oil 4-13
water quality light 14-15
wedge, bearing puller 18-3
weight
 clutch 12-5, 12-7
 secondary clutch 12-5, 12-7
weldment
 governor bracket 10-13, 13-9
wheel 2-7, 2-9
 center cap 2-5, 2-7, 2-9
 steering 6-3, 6-5, 7-3, 7-5
windshield channel 1-51, 1-53
wire
 green, starter/generator 8-7
 ground, fuel tank 10-3
wire harness 4-7, 14-5
wire harness, Excel w/Hi-Freq, MCOR3 14-5
wire harness, onboard battery charger 14-17,
 14-19
wrap, tie 6-9, 7-9, 13-5, 17-13

Y

yoke, gear 18-5



Club Car, Inc.
P.O. Box 204658
Augusta, GA 30917-4658
USA

Web www.clubcar.com
Phone 1.706.863.3000
1.800.ClubCar
Int'l +1 706.863.3000
Fax 1.706.863.5808